

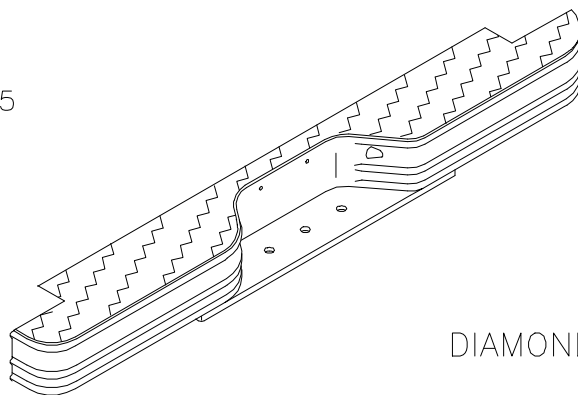


INSTALLATION INSTRUCTIONS

APPLICATION: 1997-UP DAKOTA

MOUNT KIT : #38/93800

BUMPER OVERALL: 64.00
 HITCH WIDTH: 38.00
 VEHICLE FRAME WIDTH: 37.75



DIAMONDSTEP

MOUNTING KIT CONTENTS		BUMPER KIT CONTENTS		TOOLS REQUIRED
QTY	DESCRIPTION	QTY	DESCRIPTION	
1	DRIVER SIDE MOUNTING BRKT	1	BUMPER	3/4 SOCKET 3/4 WRENCH RATCHET TORQUE WRENCH
1	PASSENGER SIDE MOUNTING BRKT	1	LICENSE PLATE LIGHT KIT	
8	1/2 BOLT, NUT, FLAT WASHER AND LOCK WASHER			

STEP 1: Using 1/2 hardware, loosely install mounting brackets on the outside of truck frame rails with the angled end down. Refer to figure 1 and 2. DO NOT TIGHTEN mounting hardware.

STEP 2: Using inner verticals, Install bumper onto mounting brackets with brackets outside of bumper verticals. See figure 2. Use 1/2 inch hardware. DO NOT TIGHTEN.

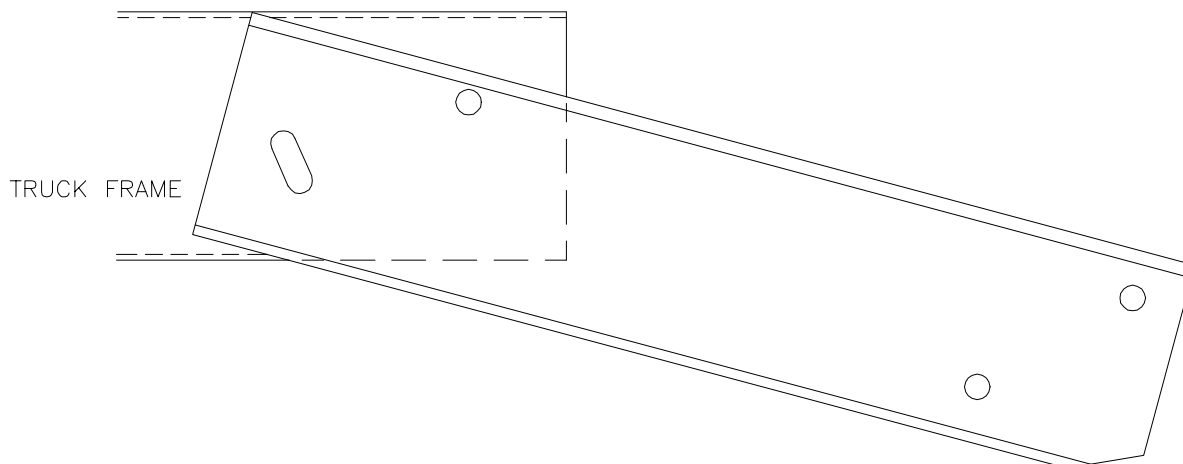
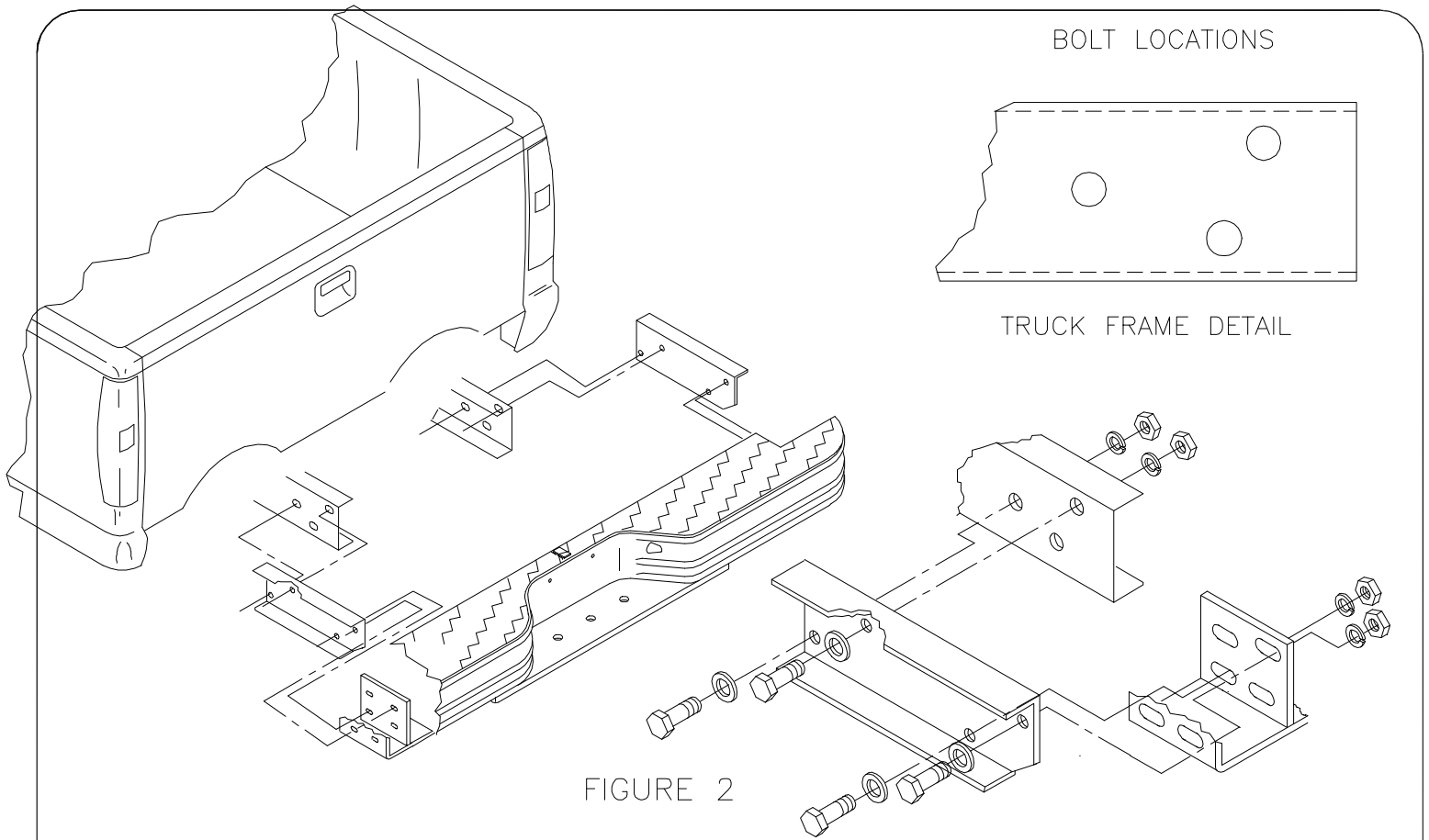


FIGURE 1 (driver side view)



STEP 3: Position bumper squarely to tailgate and allow clearance for tailgate to open. Tighten hardware as follows:
 $1/2$ to 60–65 ft lbs

STEP 4: Using square plastic grommets and sheet metal screws, install license plate. See figure 3.

STEP 5: Install pop lights into bumper (figure 4). Using supplied connectors, splice pop light wires into truck illumination wire as shown in figure 4. Make sure license plate lights are working properly.

