

TIRE CHOCK ACCESSORY

10/25/18

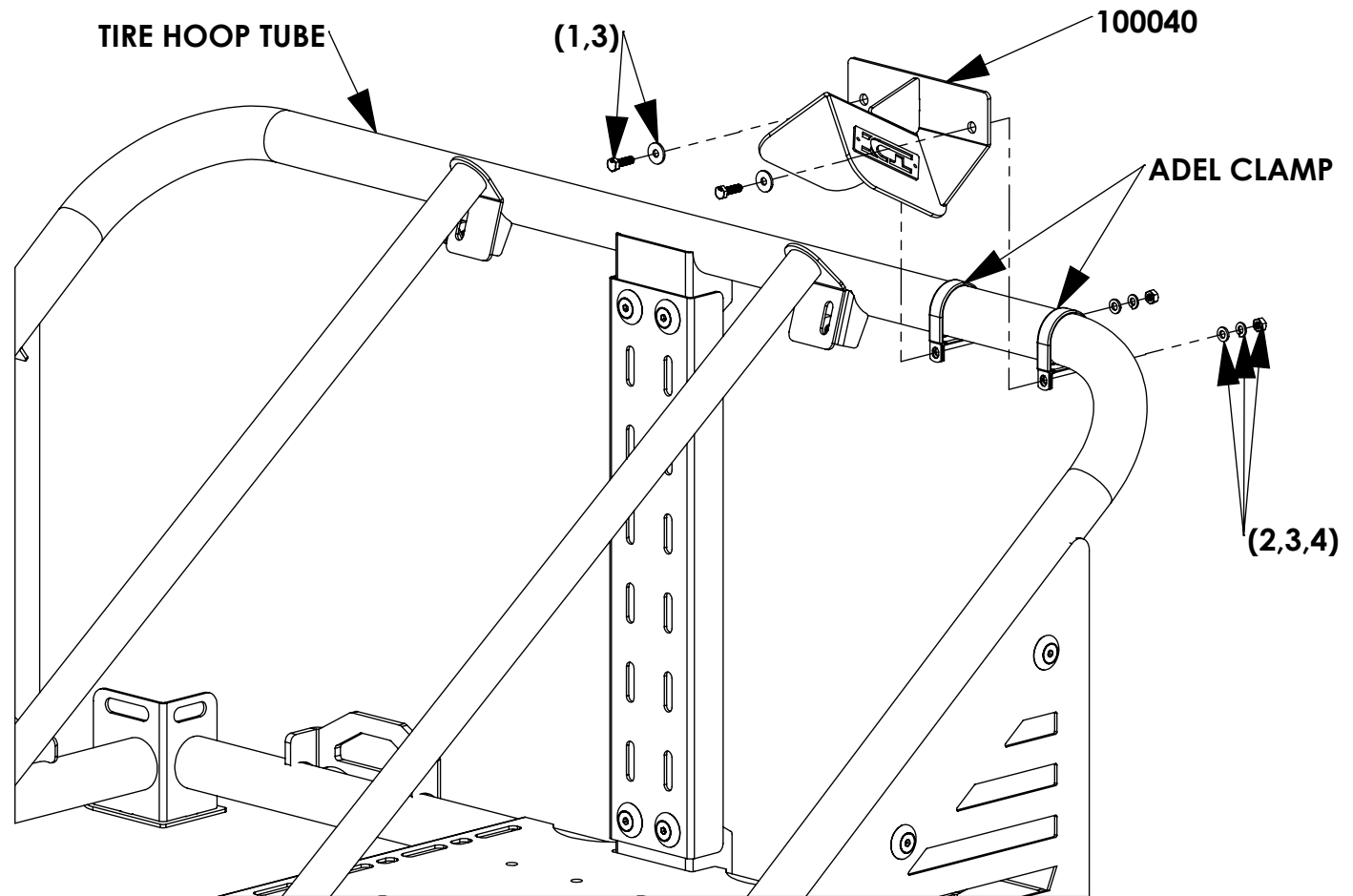
Hardware Kit Includes:

- (1) 4 – Button Head Socket Cap Bolts (M6-1 x 25mm)
- (2) 4 – Lock washers (M6)
- (3) 8 – Flat Washers (M6)
- (4) 4 – Hex Head Nuts (M6-1)

Components List:

- (1) 1 – Tire Chock (100040)
- (2) 2 – 1.75” Adel Clamps

**LOOSE FIT ALL COMPONENTS.
DO NOT TIGHTEN UNTIL ALL
COMPONENTS ARE INSTALLED
AND ADJUSTED.**



Step-By-Step Installation Instructions:

- (1) Begin by placing the two Adel Clamps around the tire hoop tube of the tire rack.
- (2) Using the M6 hardware provided, attach the Tire Chock (100040) to the Adel Clamps loosely.
- (3) Adjust the height of the Tire Chock by rotating it around the tire hoop tube to fit the size of the dirt bike tire. The Tire Chock can also be adjusted left and right by sliding the Adel Clamps along the tire hoop tube. After adjustments are made, tighten all hardware.