

GROSS LOAD CAPACITY WHEN USED AS A WEIGHT CARRYING HITCH: 2,000 LBS. TRAILER WEIGHT & 200 LBS. TONGUE WEIGHT.

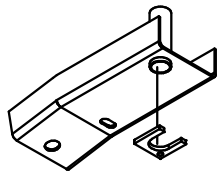
DO NOT EXCEED VEHICLE MANUFACTURER'S RECOMMENDED TOWING CAPACITY.

WARNING: ALL NON-TRAILER LOADS APPLIED TO THIS PRODUCT MUST BE SUPPORTED BY AUXILIARY STABILIZING STRAPS.

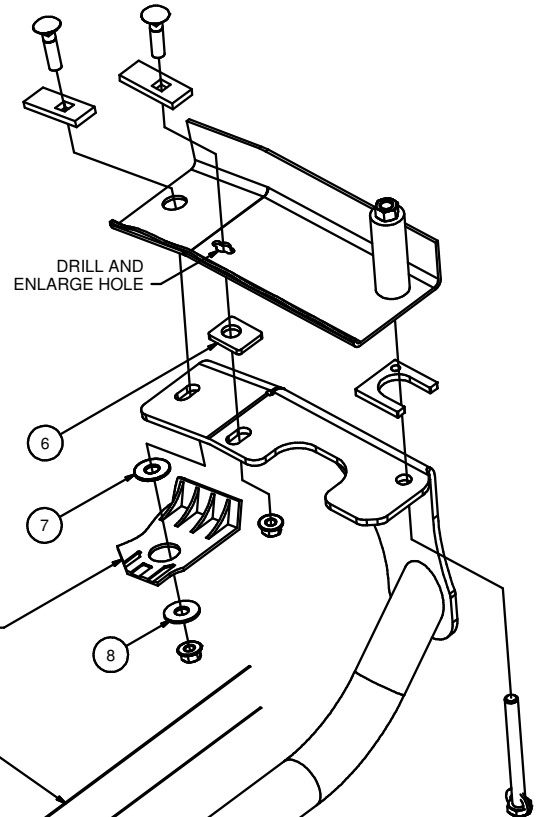
** FAILURE TO PROPERLY SUPPORT NON-TRAILER LOADS WILL VOID PRODUCT WARRANTY**

HAVING INSTALLATION QUESTIONS? CALL TECHNICAL SUPPORT AT 1-800-798-0813

Parts List			
ITEM	QTY	PART NUMBER	DESCRIPTION
1	2	CM-11020-SP	SPACER PLATE
2	4	7/16 - 14 x 1 3/4	CARRIAGE BOLT
3	4	CM-SP11	.250 x 1.00 x 2.50" SQUARE HOLE SPACER
4	4	7/16-14	HEX FLANGE NUT
5	2	7_16 FISHWIRE	7/16" FISHWIRE
6	2	CM-SP8	.188 x 1.25 x 1.50" ROUND HOLE SPACER
7	1	7/16 WASHER	WASHER
8	1	7_16 WASHER WIDE	Type A Plain Washer



CM-11020-SP ORIENTATION

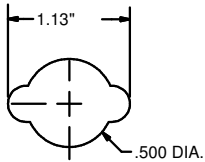


DRILL AND ENLARGE HOLE

ENLARGE HOLE

SERPENTINE BELT COVER

DRIVER SIDE FRAME RAIL



HOLE ENLARGEMENT DIAGRAM

DESIGNED FOR USE WITH BALL MOUNT # D-222

EXISTING 12mm BOLT (TYP)

FRONT
↑
REAR

- HITCH WEIGHT: 27 LBS.
 INSTALL TIME
 PROFESSIONAL: 45 MINUTES
 NOVICE (DIY): 90 MINUTES
 INSTALL NOTES:
 -FISHWIRE HARDWARE
 -DRILLING REQUIRED

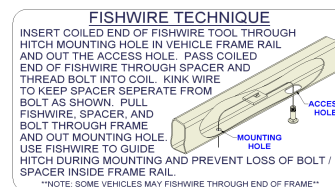
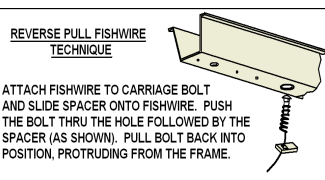
CAUTION: Place jack stands under suspension when jacking vehicle up.

PERIODICALLY CHECK THIS RECEIVER HITCH TO ENSURE THAT ALL FASTENERS ARE TIGHT AND THAT ALL STRUCTURAL COMPONENTS ARE SOUND.

Curt Manufacturing Inc., warrants this product to be free of defects in material and/or workmanship at the time of retail purchase by the original purchaser. If the product is found to be defective, Curt Manufacturing Inc., may repair or replace the product, at their option, when the product is returned, prepaid, with proof of purchase. Alteration to, misuse of, or improper installation of this product voids the warranty. Curt Manufacturing Inc.'s liability is limited to repair or replacement of products found to be defective, and specifically excludes liability for incidental or consequential loss or damage.

TOOLS REQUIRED

1/2" DRILL BIT
DRILL
14mm 12 PT & 11/16" SOCKETS
10" EXTENSION
RATCHET
CARBIDE BIT
ROTARY TOOL
TORQUE WRENCH

**INSTALLATION STEPS**

- 1) Remove the serpentine belt cover.
- 2) Remove the (2) existing 12mm bolts at the rear of the frame. (Use a 14mm 12 point socket.)
- 3) Raise hitch into position and secure using the bolts removed in Step 2.
- 4) Using the hitch as your template, mark the position of the middle hole on the passenger side frame rail. (Confirm the alignment of the middle hole on the driver side frame rail at this time.)
- 5) Remove the hitch and drill a 1/2" hole in the passenger side frame rail at the marked location.
- 6) Enlarge the middle holes in the frame rails using the rotary tool with a carbide bit to allow insertion of the 7/16" carriage bolt and CM-SP11 spacer. (See Hole Enlargement Diagram above.)
- 7) Fishwire a 7/16" carriage bolt and CM-SP11 spacer into each of the forward holes in the frame rail. (See Fishwire Technique above.)
- 8) Reverse pull fishwire a 7/16" carriage bolt and CM-SP11 spacer into each of the middle modified holes in the frame rail. (See Reverse Pull Fishwire Technique above.)
- 9) Raise the hitch into position over the 7/16" bolts. Secure the hitch by starting the (2) 12mm bolts. Tighten the bolts until there is about 1/2" between the hitch mounting plate and the frame rail. Slide a CM-11018-SP spacer in between the hitch mounting plate and frame rail on each side. (See CM-11018-SP Orientation above.) Tighten bolts slowly, ensuring the spacers stay in place. (When installed the spacer should be flush with the frame rail and hitch.)
- 10) Position a CM-SP8 spacer between the hitch mounting plate and frame rail, aligning the hole in spacer with the slot in the hitch mount plate as shown. Secure with 7/16" hex nut.
- 11) Modify the rear hole in the serpentine belt cover so that the smaller 7/16" flat washer fits inside the hole. Use the large diameter 7/16" flat washer to retain the cover and secure with a hex flange nut.
- 12) Torque all 7/16" fasteners to 70 ft-lbs. Torque all 12mm fasteners to 86 lb-ft.

PERIODICALLY CHECK THIS RECEIVER HITCH TO ENSURE THAT ALL FASTENERS ARE TIGHT AND THAT ALL STRUCTURAL COMPONENTS ARE SOUND.