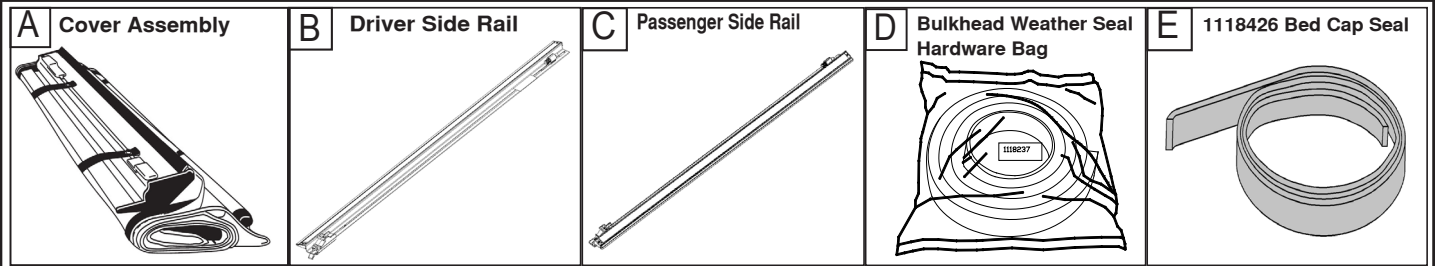


- Please read manual throughly before installing this kit. Failure to install cover properly will void warranty.
- Use picture keys below to verify componets found in shipping box and hardware bags.
- Damaged or missing parts? Call 1-877-878-9336 Mon - Fri 8 am-5 pm CT. Parts will be shipped to you factory direct. Do not return kit to place of purchase.

P/N 1118428 REV C

Components In Shipping Box:




Components Inside Hardware Bag "F", p/n 1118552:

F Main Parts Hardware Bag, Showing Components Inside This Hardware Bag.

1118539-hardware bag. Fasteners needed to mount the rear brackets for trucks WITH and WITHOUT the Trail Rail System.

1118540-hardware bag. Side Rail Attachment Hardware for Both Trail Rail and Non-Trail Rail Truck Boxes.

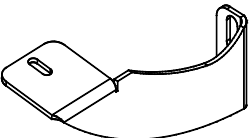
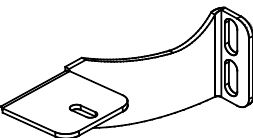
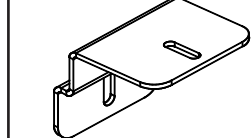

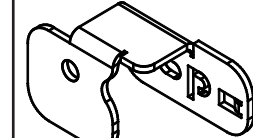


Main Parts Bag
1118552

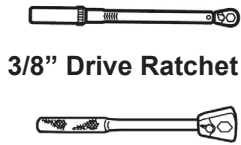
1118538-hardware bag. Fasteners needed to mount the front brackets for trucks built BEFORE July 2020.

1706041-hardware bag. Fasteners needed to mount the front brackets for trucks built AFTER July 2020.

Mounting brackets for both Trail Rail and Non-Trail Rail Cargo Management Systems are located in this hardware bag.

<p>1706274</p>  <p>Front Passenger Bracket</p>	<p>1706273</p>  <p>Front Driver Bracket</p>	<p>1706275 (Qty. 2)</p>  <p>Rear Driver/ Passenger Bracket</p>	<p>1706339</p>  <p>Non-Trail Rail Spacer Bracket, Driver Rear</p>	<p>1706340</p>  <p>Non-Trail Rail Spacer Bracket, Passenger Rear</p>
---	--	---	---	---

TOOLS REQUIRED



3/8" Drive Ratchet

SAE 7/16" Socket



T-27

1/8" Hex

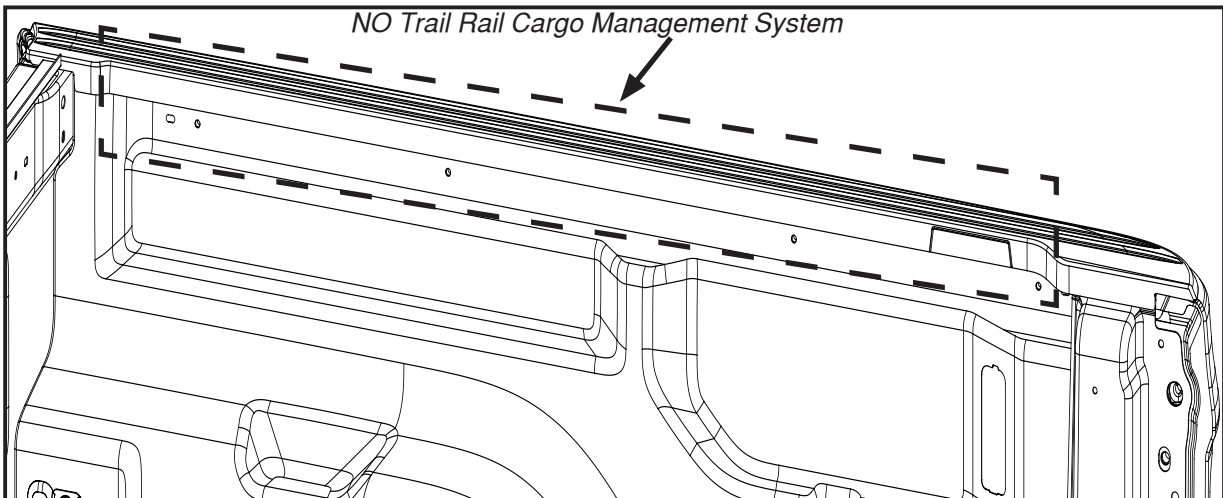
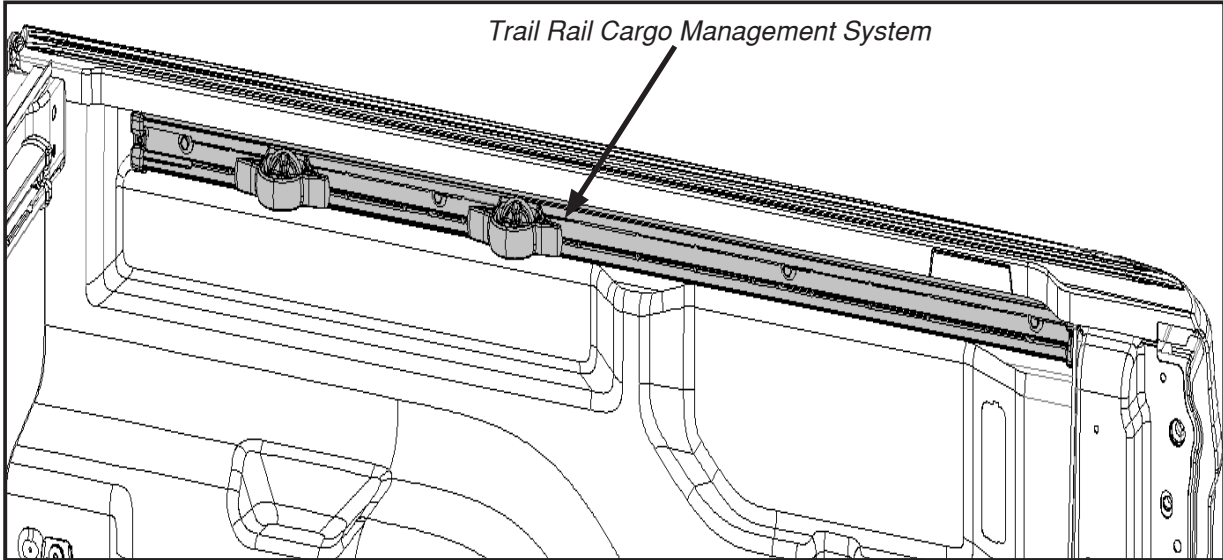
5mm Hex

4mm Hex



IMPORTANT INFORMATION

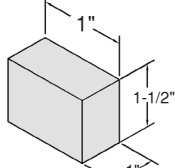
- This TruXedo truck cover will fit the Jeep Gladiator with and without the Trail Rail Cargo Management System.
- Different attachment brackets will be utilized to attach the TruXedo side rails.



FRONT WEATHER SEAL INSTALLATION STEPS

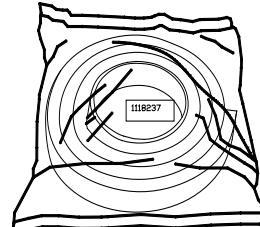
The next installation steps will use the foam blocks out of hardware bag 1118552

1705018 (Qty. 2)

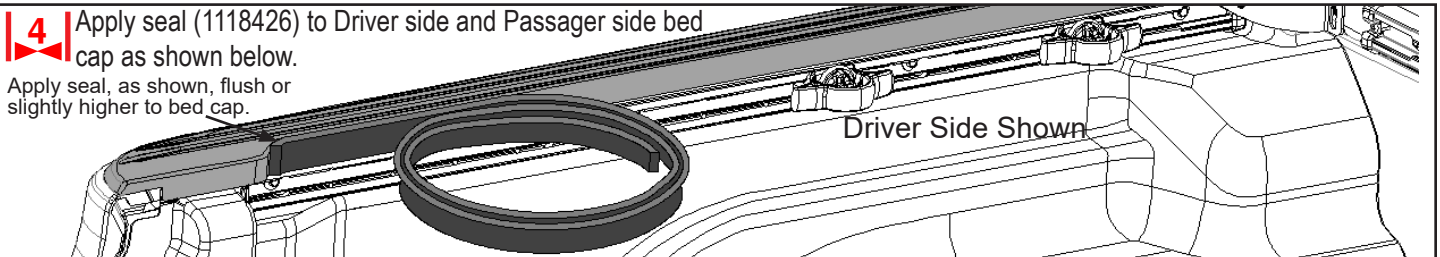
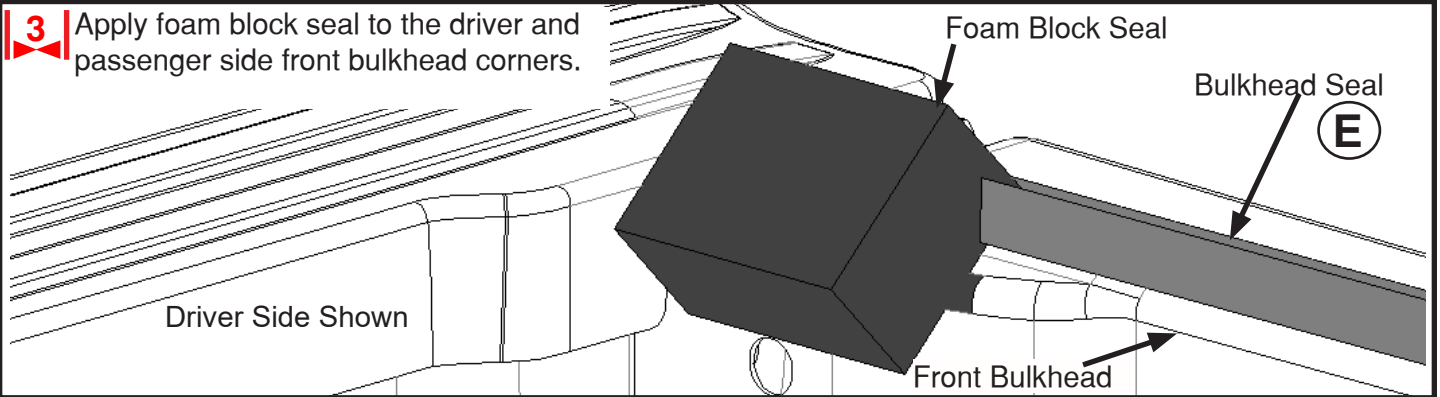
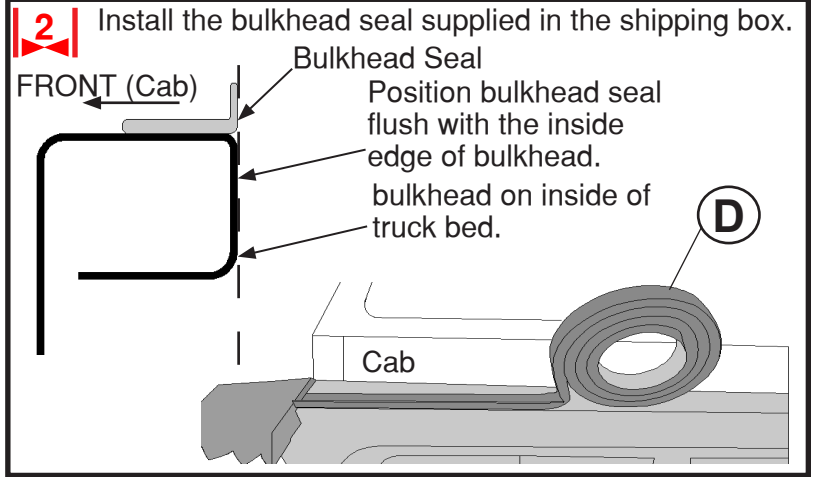
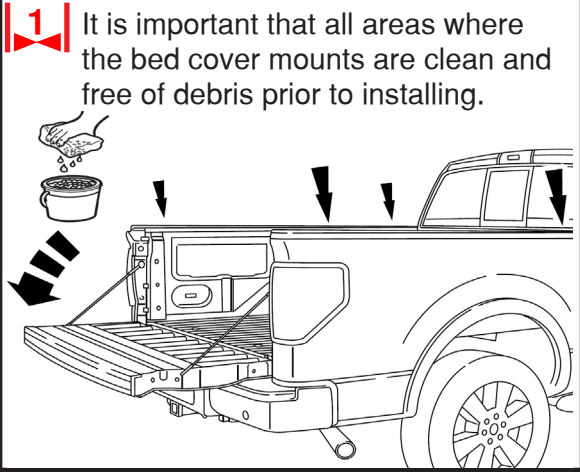


Foam Block Seal

Bulkhead weather seal, Item "D", will also be used in the next installation steps.



WEATHER SEAL INSTALLATION FOR TRUCKS WITH AND WITHOUT TRAIL RAILS:

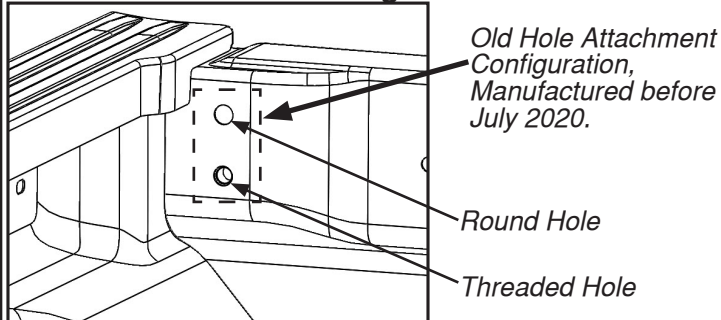


Attention:

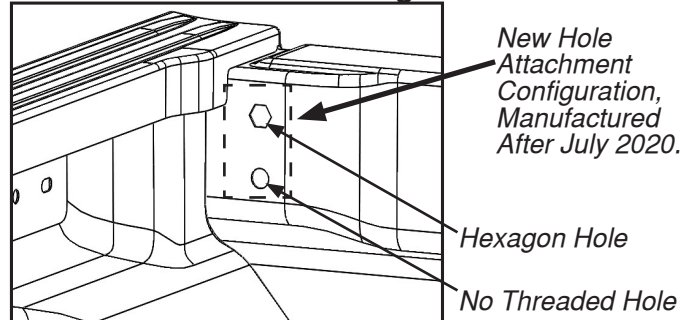
The next installation steps will show how to install the front mounting brackets and hardware for trucks with the old bulkhead and new bulkhead configuration. The front brackets will work for both the Trail Rail and Non-Trail Rail Cargo Management System for Jeep Gladiator's.

NOTE: The front bracket installation will require identifying the bulkhead mounting hole configuration of your truck. This will determine which hardware packages to use.

Old Hole Attachment Configuration

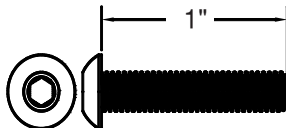
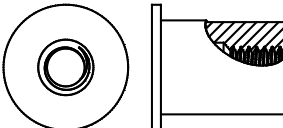
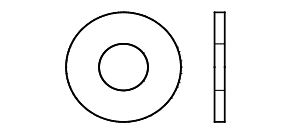
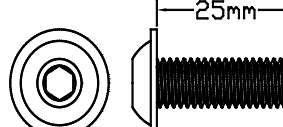


New Hole Attachment Configuration

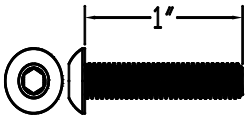
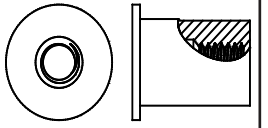
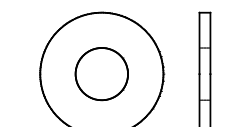
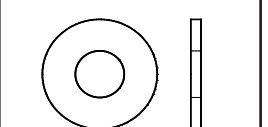
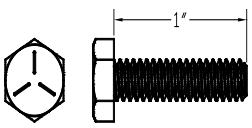
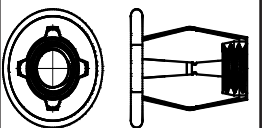
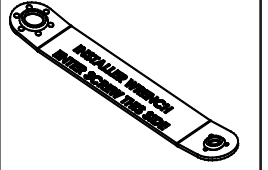


FRONT BRACKETS AND HARDWARE NEEDED FOR TRAIL RAIL AND NON-TRAIL RAIL TRUCK BEDS

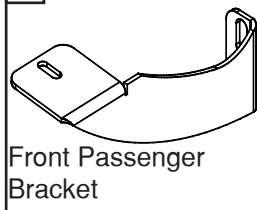
**Trucks Built Before July 2020
Use Hardware Bag 1118538**

<p>1 1706278 (Qty. 2)</p>  <p>Screw Button Head 10-32 x 1"</p>	<p>2 1706279 (Qty. 2)</p>  <p>Neoprene Well Nut 10-32</p>
<p>3 1706347 (Qty. 2)</p>  <p>Flat Washer #10</p>	<p>4 1706277 (Qty. 2)</p>  <p>Screw Button Head m8 x 1.25 x 25mm</p>

**Trucks Built After July 2020
Use Hardware Bag 1706541**

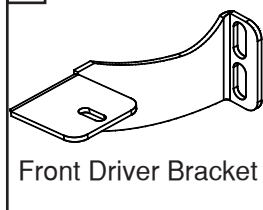
<p>5 1706278 (Qty. 2)</p>  <p>Screw Button Head 10-32 x 1"</p>	<p>6 1706279 (Qty. 2)</p>  <p>Neoprene Well Nut 10-32</p>
<p>7 1700427 (Qty. 4)</p>  <p>Flat Washer 1/4"</p>	<p>8 1706347 (Qty. 2)</p>  <p>Flat Washer #10</p>
<p>9 1700381 (Qty. 2)</p>  <p>Screw Hex Head 1/4-20 x 1"</p>	<p>10 1706542 (Qty. 2)</p>  <p>Jack Nut 1/4-20</p>
<p>11 1706543</p>  <p>Jack Nut Friction Wrench</p>	

12 1706274



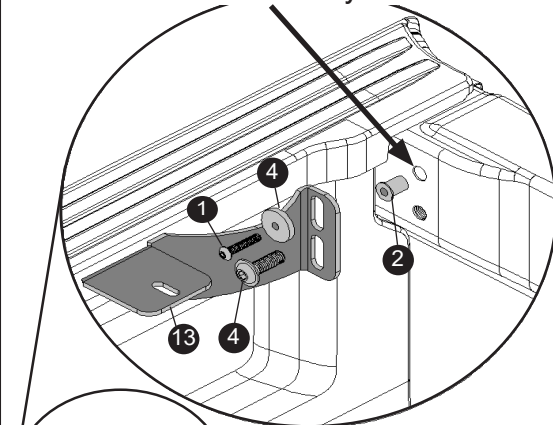
Front Passenger Bracket

13 1706273

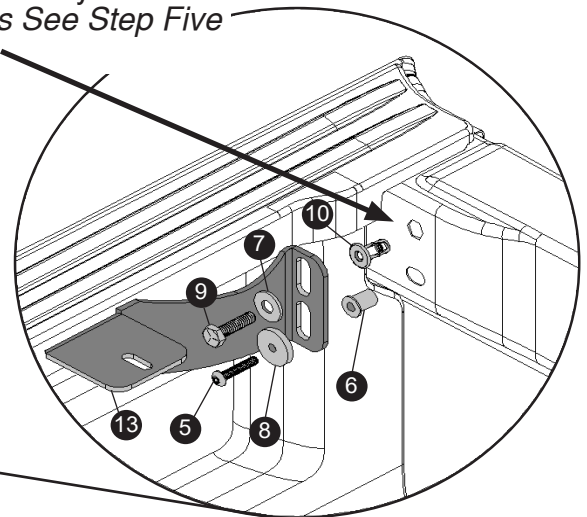


Front Driver Bracket

Bulkhead Hole Configuration of Trucks Built Before July 2020.



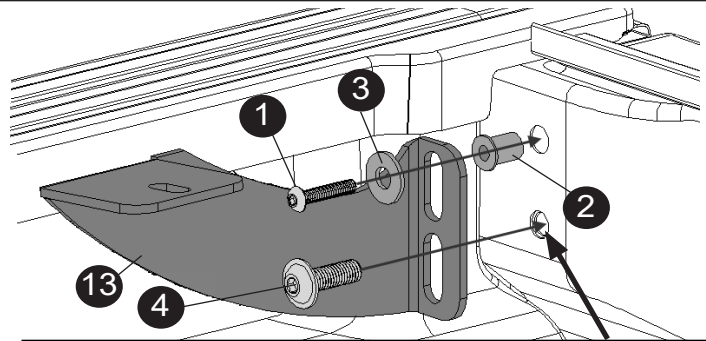
Bulkhead Hole Configuration of Trucks Built After July 2020. To Insert Jack Nuts See Step Five On Next Page.



5 Bracket to front bulkhead assembly configuration for trucks built before July 2020. Use hardware bag 1118538.

Assemble front bracket to the bulkhead as shown (driver side shown). Leave all fasteners fingertight at this time.

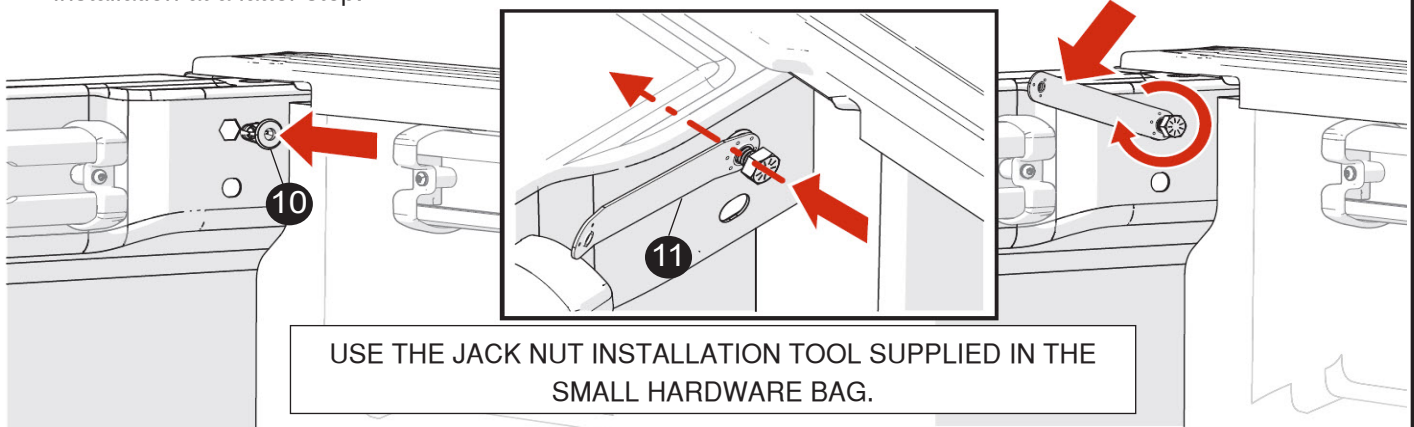
Assemble the passenger side bracket to the bulkhead using the same method and hardware provided in hardware bag 1118538.



ATTENTION: If needed, clean out the threaded holes in the pickup bed with a m8 tap before installing fasteners

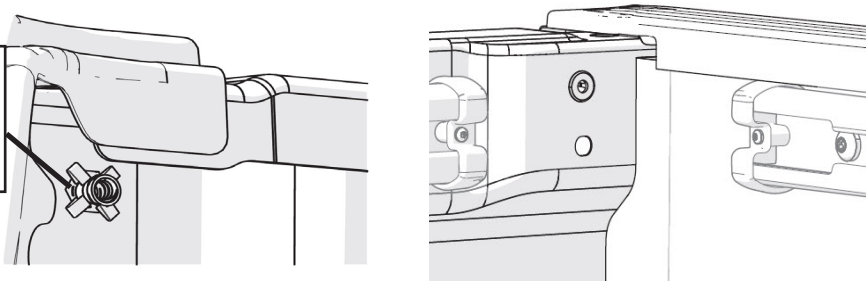
Bracket To Front Bulkhead Assembly Configuration for Trucks Built After July 2020. Use Hardware From Bag 1706541.

6 Insert the jack nut into the upper hexagonal hole. Next, insert the 1/4"-20 screw through the jack nut installation tool and thread into the jack nut. Use the install wrench to hold the jack nut from turning while tightening the bolt with a wrench socket. This will pull and collapse the jack nut. Once the screw has stopped turning, remove it for installation at a latter step.



USE THE JACK NUT INSTALLATION TOOL SUPPLIED IN THE SMALL HARDWARE BAG.

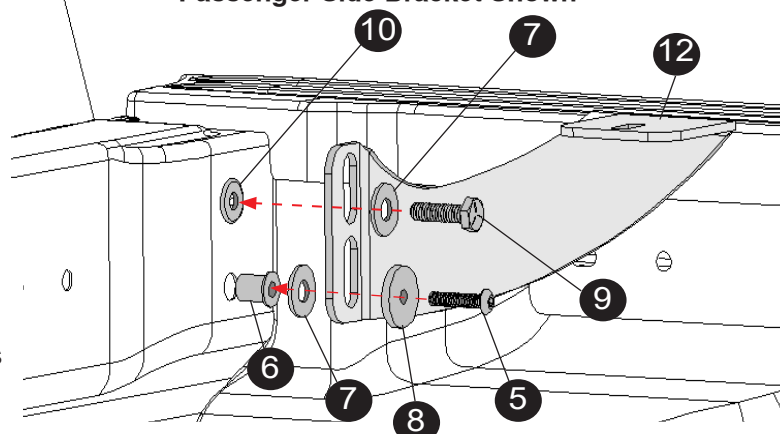
Seeing the jack nut from behind is difficult, but it will collapse as shown



Thread the buttonhead screw through the #10 oversize washer, through the bottom hole in the bracket, through the flat washer, and into the well nut.

Note:
Assemble just until contact is made, do not tighten fasteners just yet.

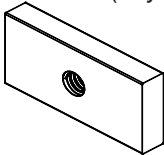
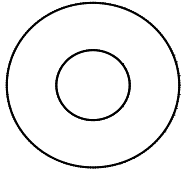
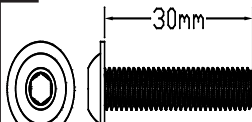
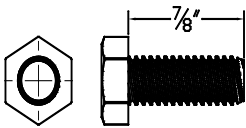
Passenger Side Bracket Shown



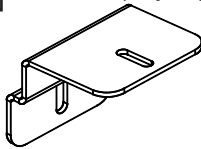
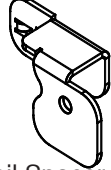
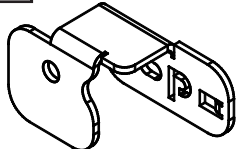
Thread the 1/4"-20 screw through the flat washer, into the top hole of the bracket, and then into the jack nut. **Follow the same steps to assemble the driver side bracket on the other side.**

REAR BRACKET ASSEMBLIES

Rear Bracket Hardware, Use Hardware Bag 1118539

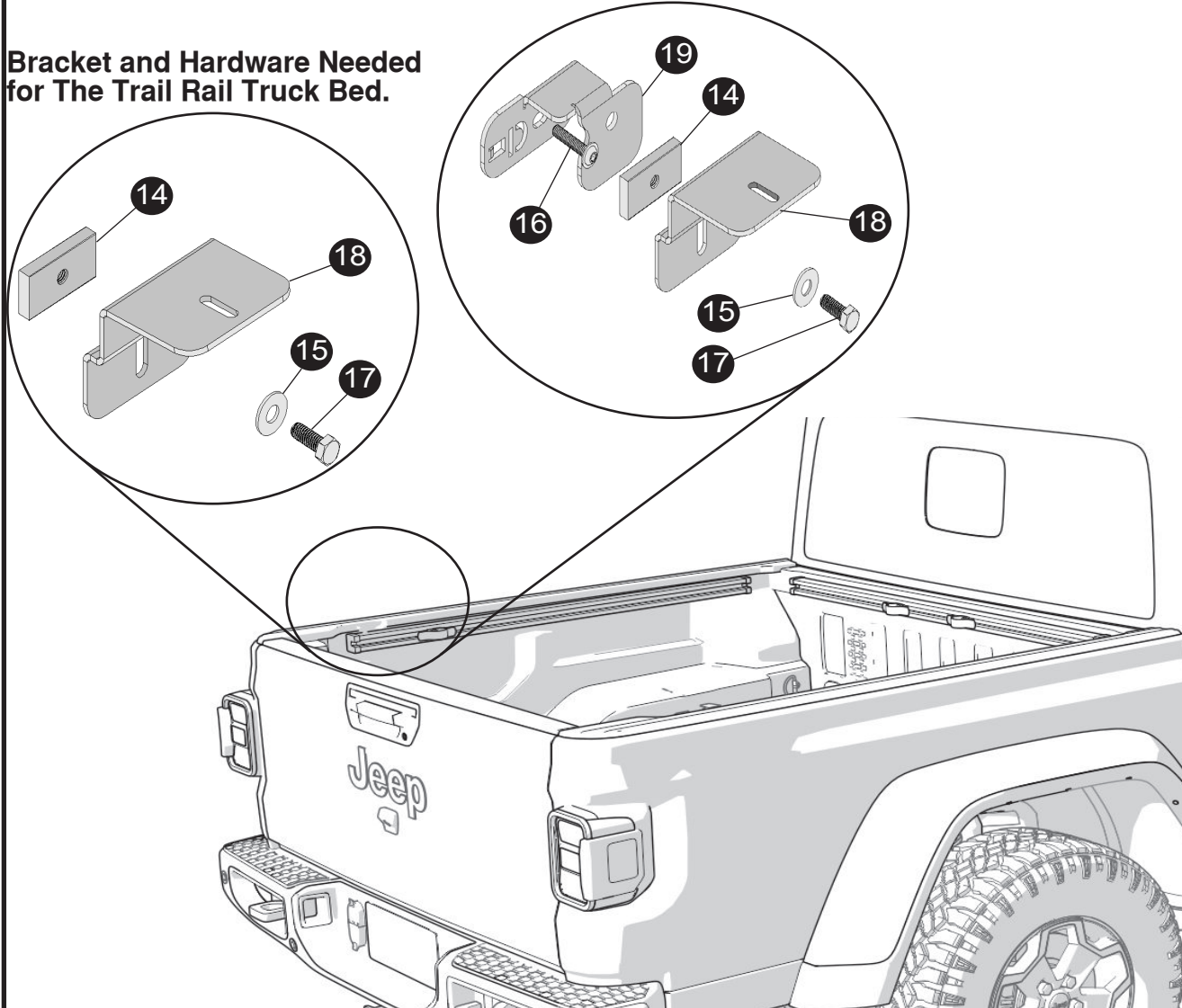
<p>14 1705880 (Qty. 2)</p>  <p>Rectangle Block Threaded 5/16-18</p>	<p>15 1700428 (Qty. 2)</p>  <p>Flat Washer 5/16"</p>	<p>16 1706342 (Qty. 2)</p>  <p>Screw Button Head m6 x 1.00 x 30mm</p>	<p>17 1705954 (Qty. 2)</p>  <p>Screw Hex Head 5/16-18 x 7/8"</p>
--	---	---	---

Rear Brackets, Located in Hardware Bag 1118537

<p>18 1706275 (Qty. 2)</p>  <p>Rear Driver/ Passenger Bracket</p>	<p>19 1706339</p>  <p>Non-Trail Rail Spacer Bracket, Driver Rear</p>	<p>20 1706340</p>  <p>Non-Trail Rail Spacer Bracket, Passenger Rear</p>
--	---	---

Bracket and Hardware Needed for The Non-Trail Rail Truck Bed.

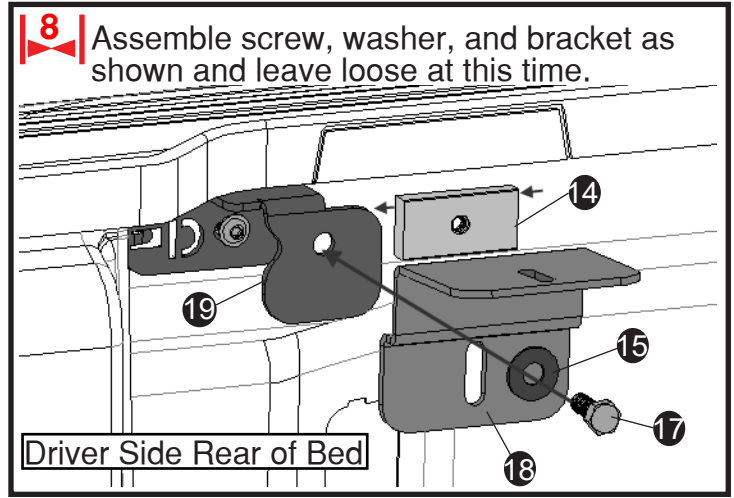
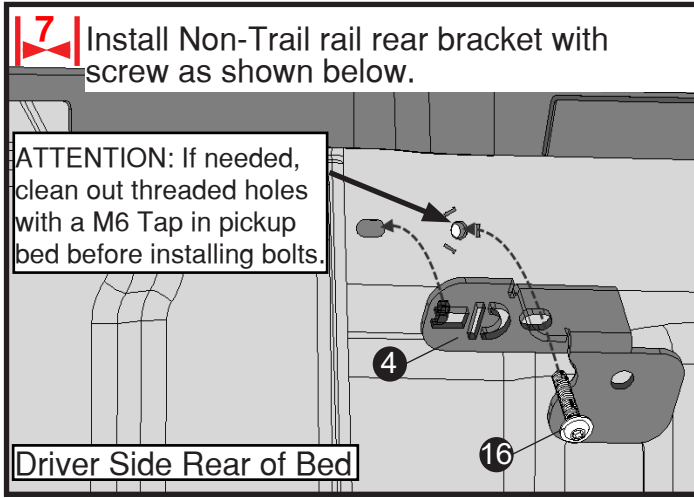
Bracket and Hardware Needed for The Trail Rail Truck Bed.



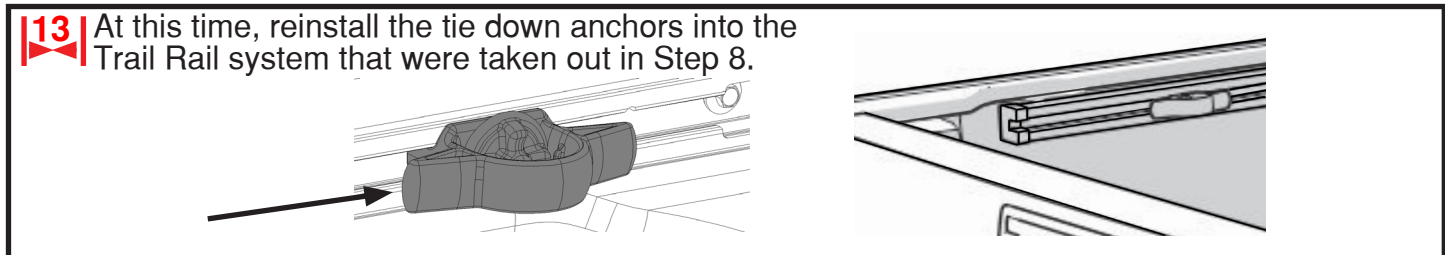
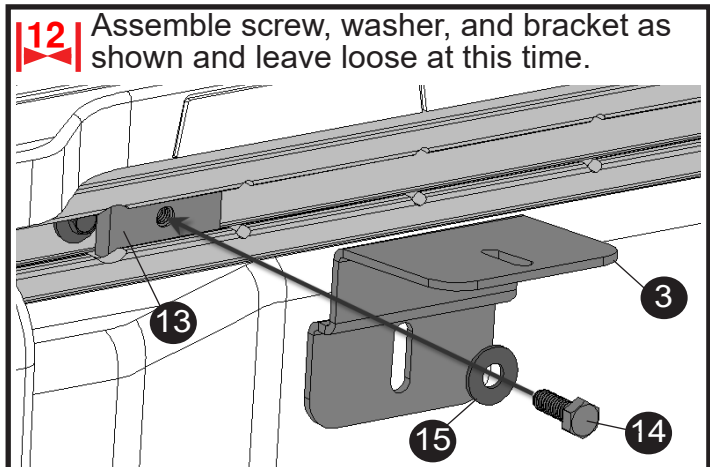
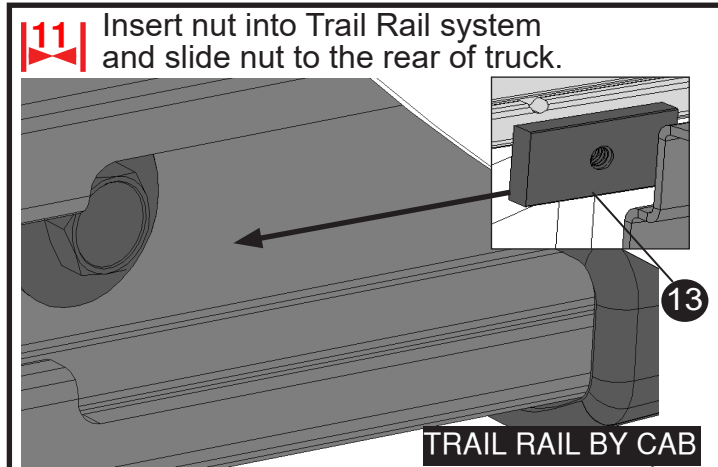
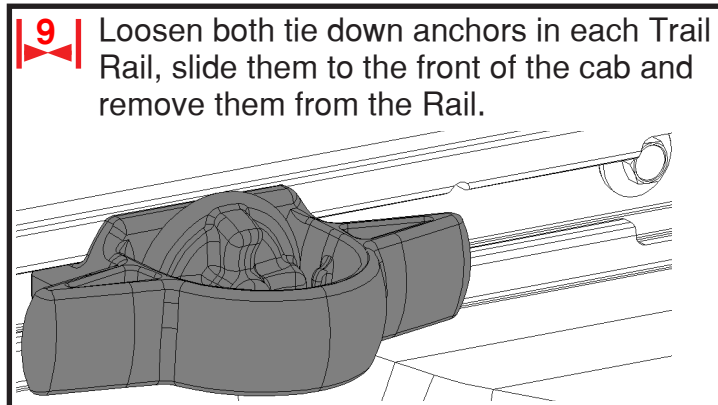
INSTALLING REAR BRACKETS TO NON-TRAIL AND TRAIL RAIL TRUCK BOXES.

- Follow steps 6 and 7 to attach rear brackets to a Non-Trail Rail truck box.

Attention: The following steps will be followed for both driver and passenger side.

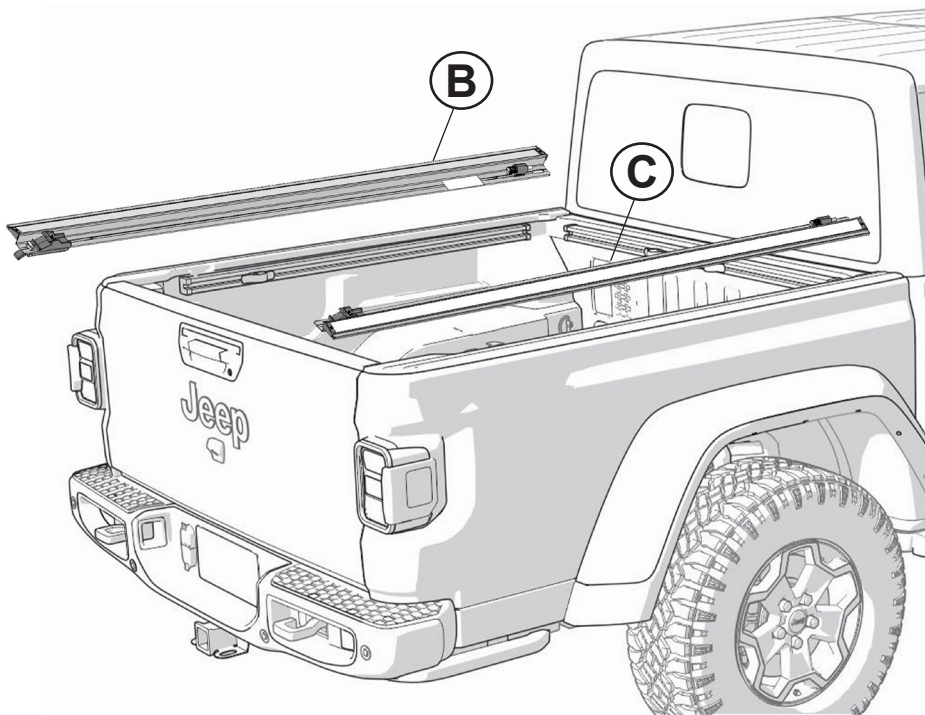
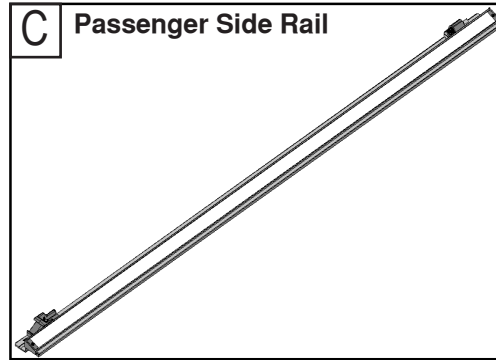
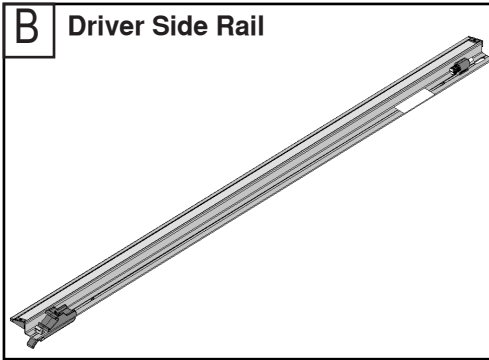
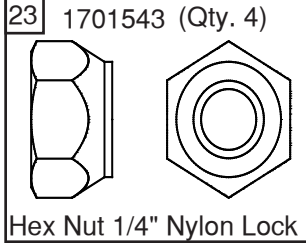
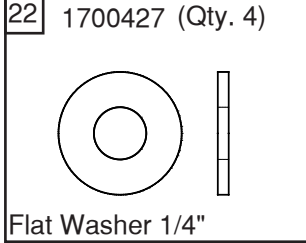
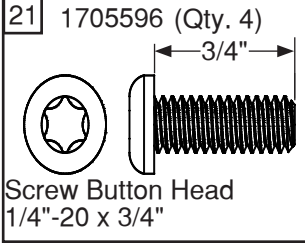


- Follow steps 8 thru 12 to attach rear bracket to a Trail Rail truck box.

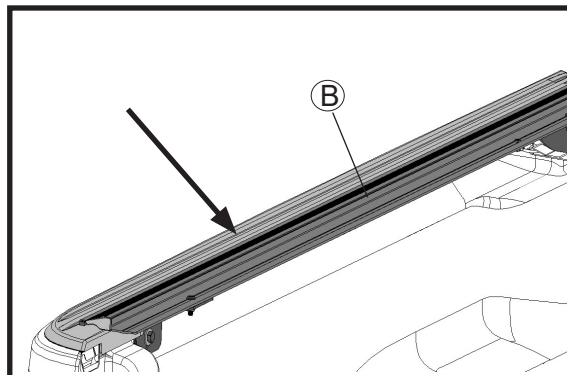


SIDE RAILS AND HARDWARE NEEDED FOR TRAIL RAIL AND NON-TRAIL RAIL TRUCK BEDS

Side Rail Attachment Hardware, Use Hardware Bag 1118540

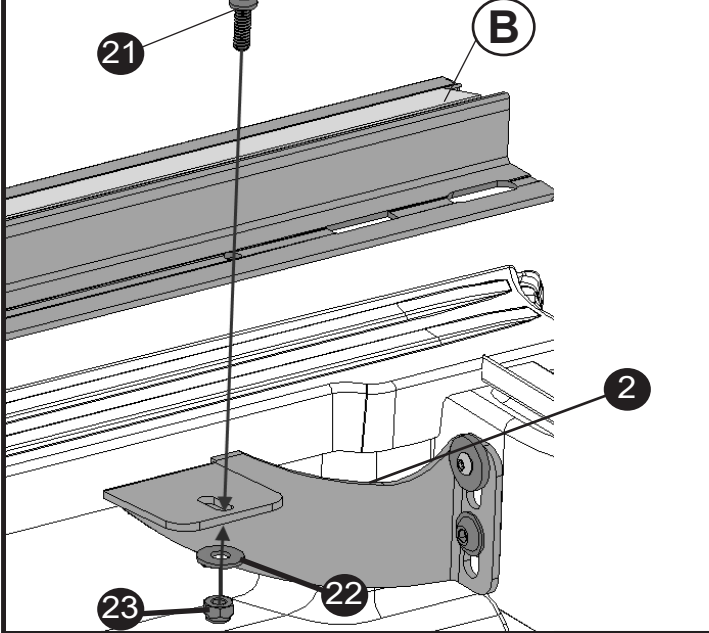


Attention: After proper alignment the outer edge of the side rail will sit on top of the truck bed rail.

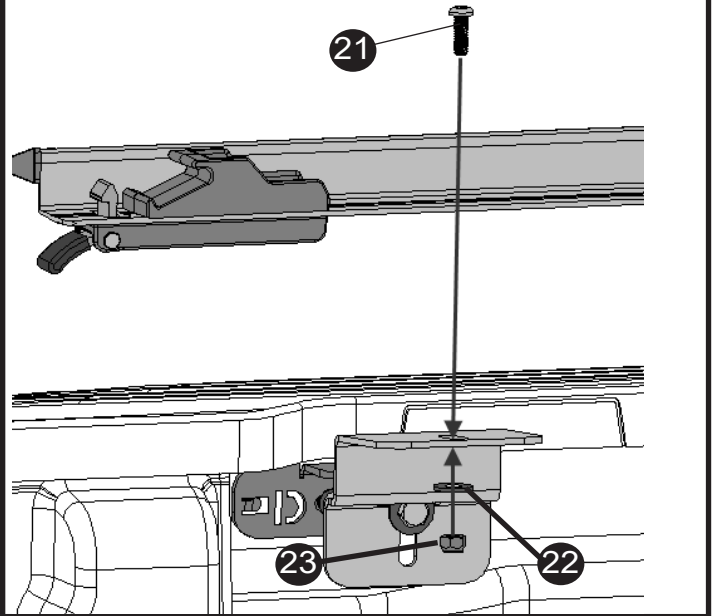


INSTALLING SIDE RAILS FOR BOTH THE TRAIL RAIL AND NON-TRAIL RAIL TRUCK BEDS

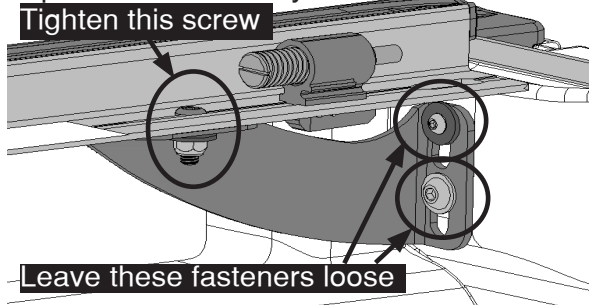
- 14** Locate the Mounting hole in rail at the front. Proceed by lining up that hole with the slot in the front bracket from step 5 and assemble hardware as shown.



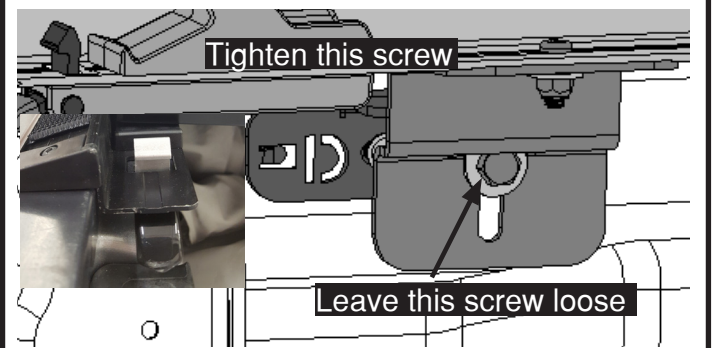
- 15** Locate the Mounting hole in rail at the rear. Proceed by lining up the mounting hole with the slot in rear bracket from step 4 and assemble hardware as shown.



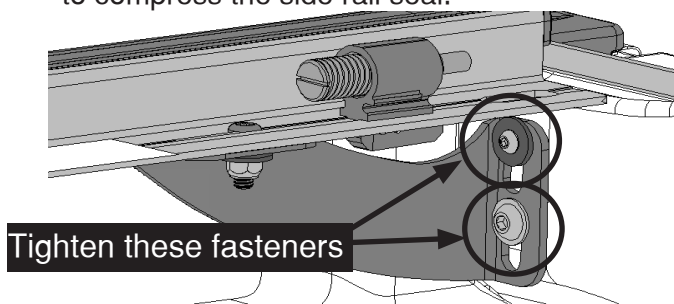
- 16** For proper side rail fit to the truck box, apply downward pressure on the rail and pull the rail towards the outside of the bed while tightening the screw. This will assure the rail is positioned correctly.



- 17** Apply downward pressure on the rail and pull towards the outside of the bed while tightening the screw to hold rail down on the bracket.

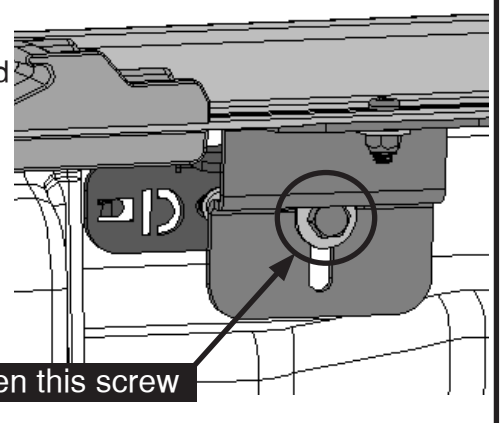


- 18** While tightening the two front fasteners securing the bracket to the bulkhead, apply downward pressure on the rail and the bracket to compress the side rail seal.



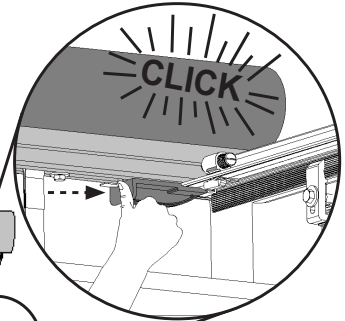
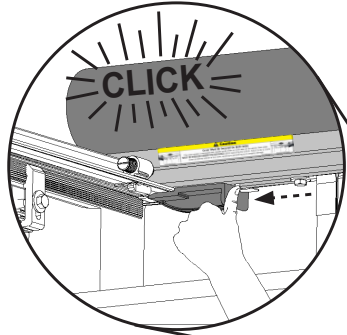
- 19** Apply downward pressure on the rail and the bracket, to compress the rail seal, then tighten the rear fasteners.

Tighten this screw



HOW TO INSTALL COVER ASSEMBLY

20 Set cover assembly behind Cab with header seal on top of bulkhead. Slide header guides into place under the side rails. A **Click** sound will indicate a secure attachment.



TRUCK BOX FRONT

A Cover Assembly

FRONT OF TRUCK BOX

Header Seal On Top Of Bulkhead

Header Guide

Bulkhead

Side Rail

HOW TO REMOVE COVER ASSEMBLY

21 If you want to remove cover assembly push up on retainer tab with thumb and pull header guide over retainer until it stops. Do this for both passenger and driver side. Then lift cover assembly off of side rails.

Passenger Side Shown

Retainer Tab

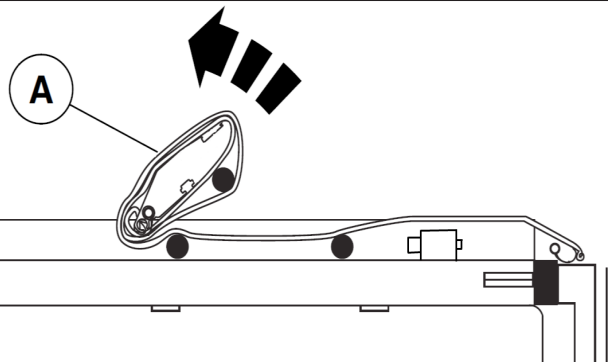
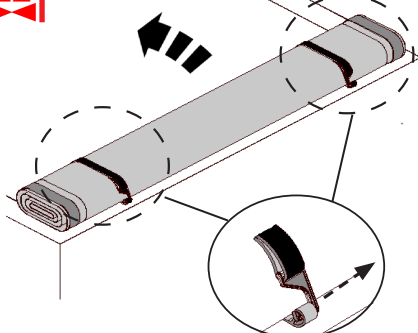
Header Guide

Push Up To Release

Slide Header Guide To Disengage.

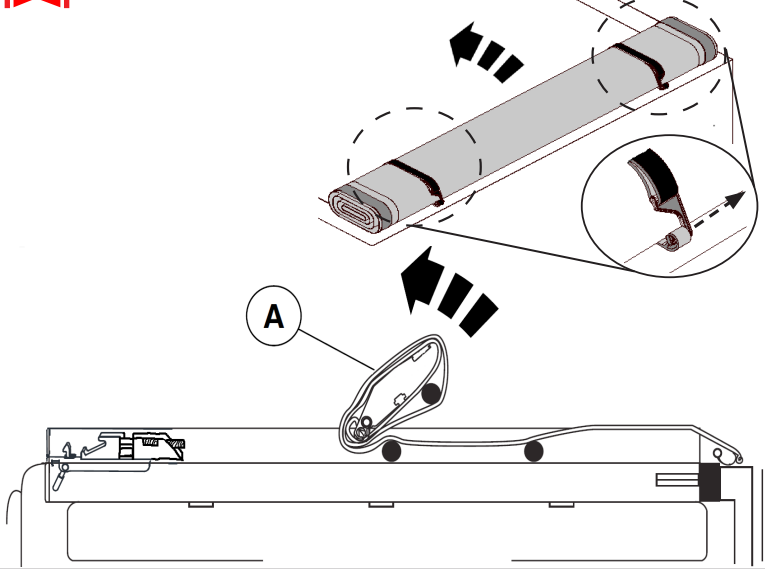
CLOSING THE COVER:

22 Unhook and roll cover to the tailgate.



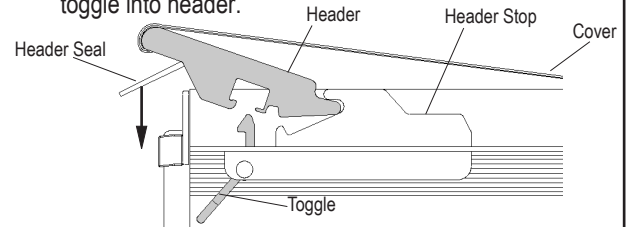
CLOSING THE COVER

23 Unhook and roll cover to the tailgate.

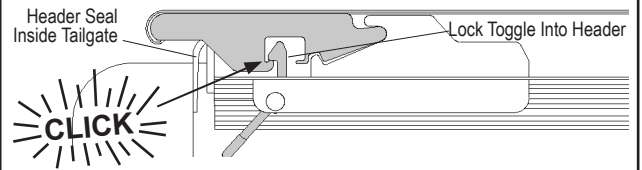


24 Always close cover before closing tailgate.

Unroll cover toward tailgate and rest bows on side rails. Rotate header into header stops and press down to lock toggle into header.

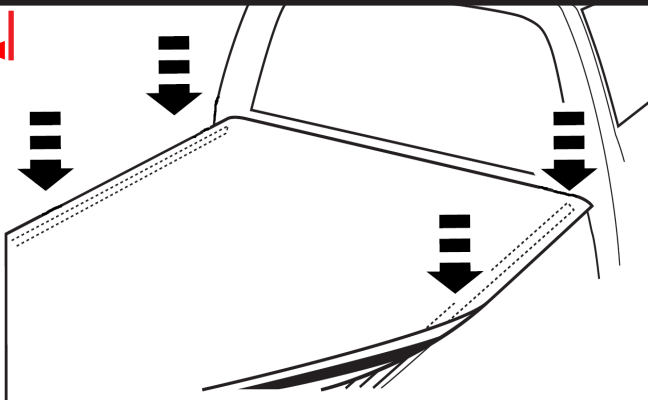


NOTE: If tailgate has a key lock, cover is secured until tailgate is unlocked and opened.



SETTING HOOK AND LOOP FASTENER:

25



Note: Small wrinkles may be present after closing cover for first time. Remove wrinkles by pulling cover material from each side. For best results have cover unlatched. Relatch rear header after adjustments have been made.

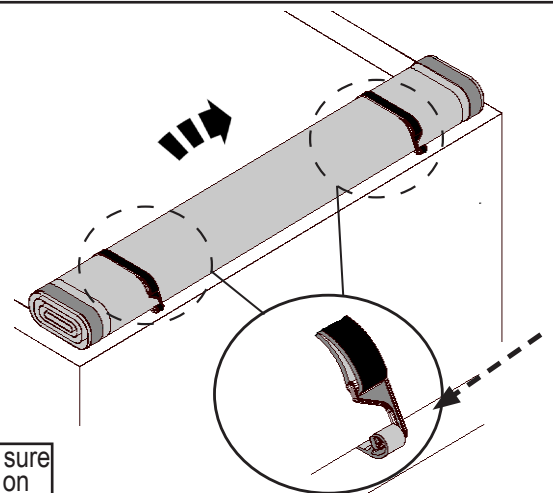
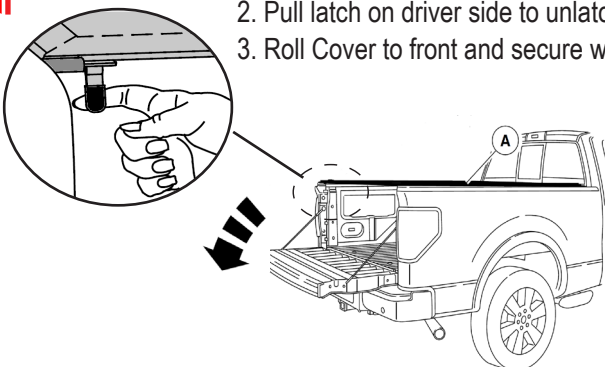
IMPORTANT:

Before driving vehicle, secure hook and loop fastener by running your hand down entire length of each side rail. This will prevent wind lifting the cover and causing damage.

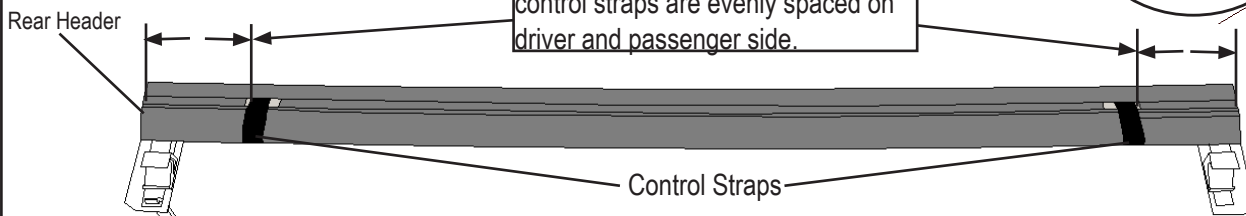
OPENING THE COVER:

26

1. Open tailgate
2. Pull latch on driver side to unlatch cover.
3. Roll Cover to front and secure with retainer straps.



For cover to roll up evenly, make sure control straps are evenly spaced on driver and passenger side.

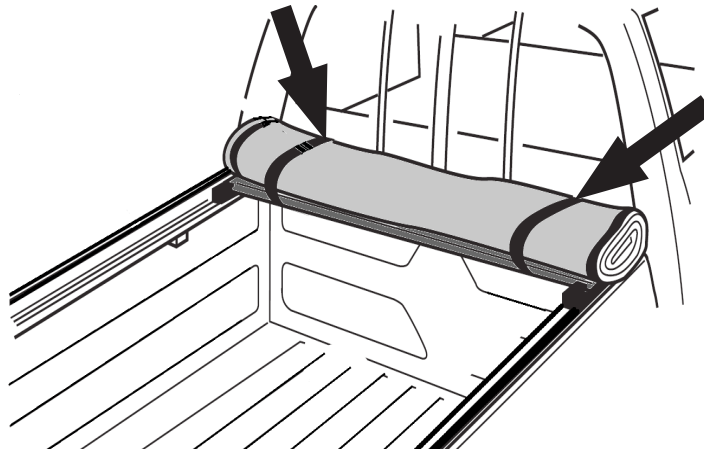


CAUTION / ATTENTION/ PRECAUCIÓN

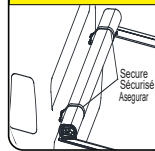
ROLL COVER TIGHT AND SECURE BOTH RETAINER STRAPS. **DO NOT** STOW COVER AGAINST CAB WINDOW.

COUVERTURE DE ROULEAU SERRÉ ET GARANTIR DEUX SANGLES DE SÉCURITÉ. **NE PAS** RANGER LA COUVERTURE CONTRE LA FENÊTRE DE LA CABINE.

ENVUELVE CUBIERTA FIRMEMENTE, Y ASEGURA AMBAS CORREAS DE LA SEGURIDAD. **NO** GUARDE CUBIERTA CONTRA VENTANA DE CABINA. P/N 1705298



CAUTION / ATTENTION/ PRECAUCIÓN



Before driving with cover open, BOTH STRAPS MUST BE SECURED TO RETAINING LOOPS. Failure to do so could cause accidental release of the cover, resulting in personal injury or property damage.

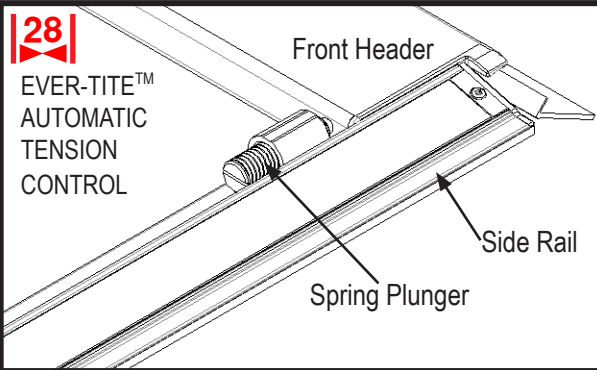
Avant de conduire avec le couvre-boîte ouvert, LES DEUX COURROIES DOIVENT ÊTRE SECURISÉ AUX BOUCLES DE RETENUE. Défaut de le faire pourrait causer libération accidentelle du couvre-boîte, résultant en blessures personnelles ou dommages aux biens.

Antes de conducir con cubierta abierta, AMBAS CORREAS DEBEN SER ASEGURADAS A LAZOS DE RETENCIÓN. El fracaso para hacer tan podría causar la liberación accidental de la cubierta, dando por resultado daños corporales o daños materiales.

P/N 1705296

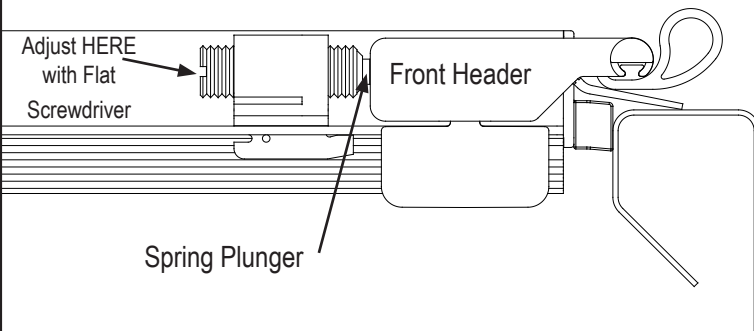
COVER TENSION ADJUSTMENT

EVER-TITE™
AUTOMATIC
TENSION
CONTROL

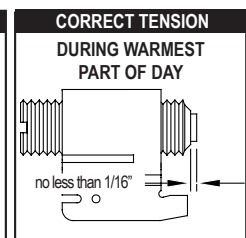
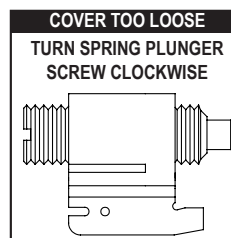


- Spring plunger compensates for material expansion & contraction caused by temperature changes.
- Check cover tension after installation, seasonally, and after extreme temperature changes.
- For best performance, adjust tension regularly to protect your cover against wind wear.

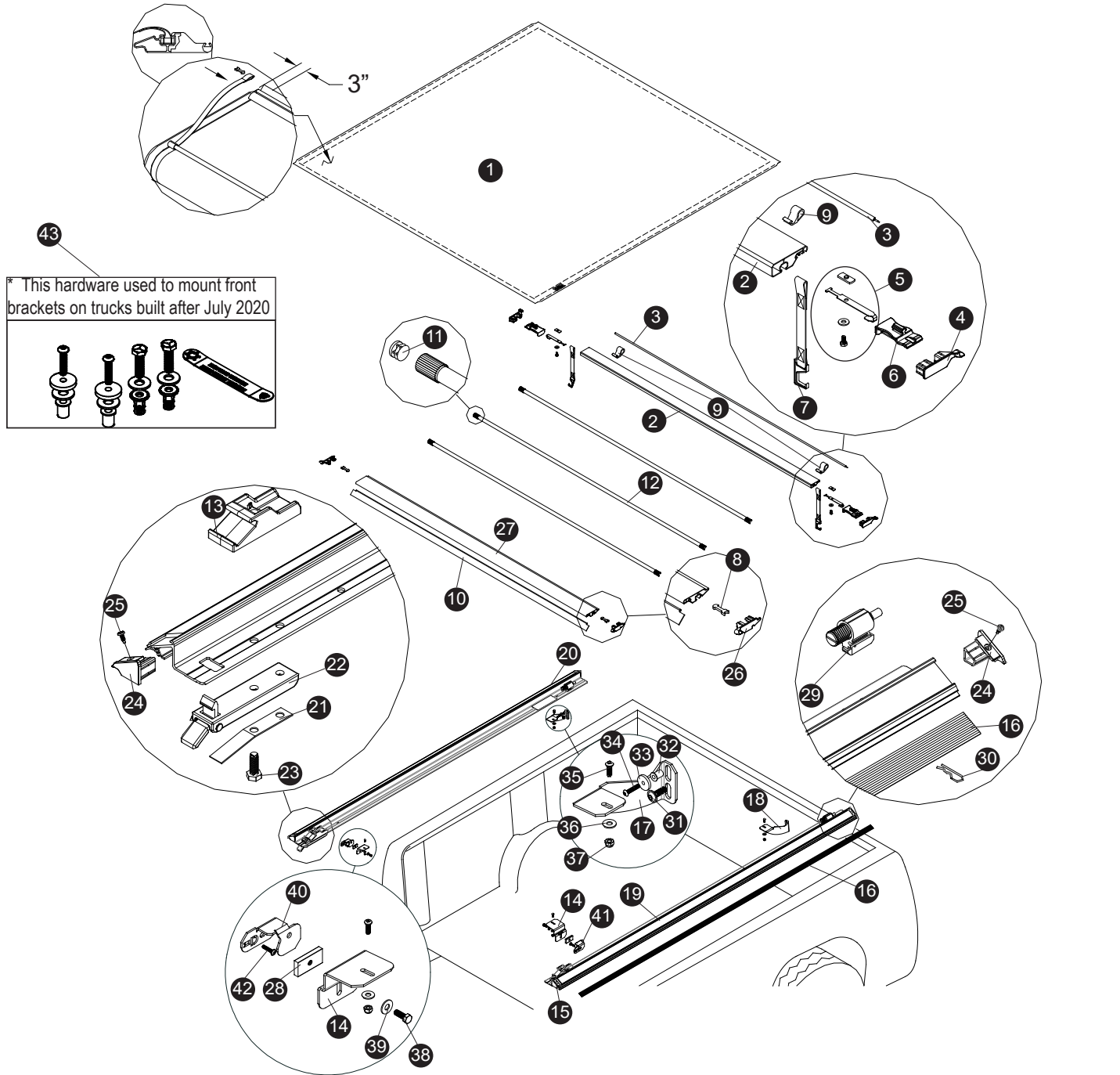
Set tension during WARMEST PART OF THE DAY. With cover closed, release hook and loop fastener from both sides rails near cab. Check compression of both spring plungers against the front header per diagram. Roll cover open and make adjustments. Close cover and re-check adjustment. Repeat until satisfactory tension has been achieved.



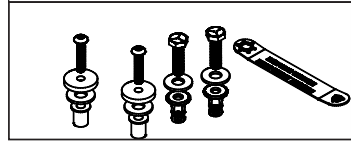
NOTE: Adjust tension in small increments. Slight adjustments will gain significant results



WITHOUT TRAIL RAIL SYSTEM



* This hardware used to mount front brackets on trucks built after July 2020

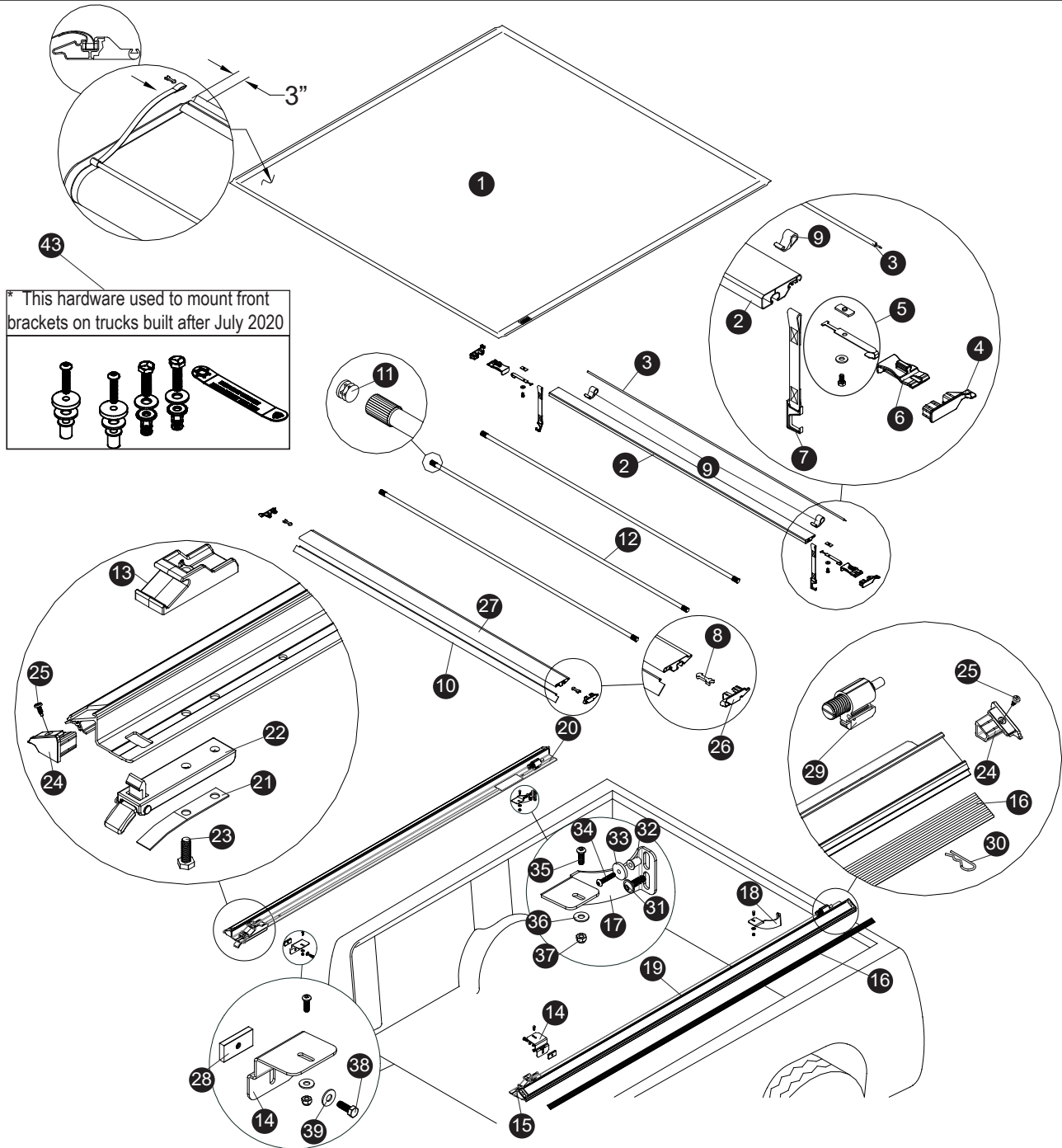


Replacement Parts Without Trail Rail

1	*	Replacement Cover	15	1118097	Right Hand Rail Endplug	30	1703332	Pin, Hitch_1/16" Dia.x 1-5/16" long.
2	*	Black Front Header	16	*	Hook and Loop Fasteners	31	1706277	Cap Screw Button Head M8
3	*	Header Seal Front	17	1706273	Driver Front Bracket	32	1706279	Well Nut 10-32
4	1118191	Front Header End Plugs LoPro (Set of Two)	18	1706274	Passenger Front Bracket	33	1706347	Flat Washer
5	1117594	Header Guide Retainer Assembly	19	*	Passenger's Side Rail	34	1706278	Cap Screw Button Head 10-32 X 1
6	1704707	Header Guide	20	*	Driver's Side Rail	35	1705596	Button Head Screw 1/4-20
7	*	Retainer Strap	21	1114773	Flat Spring, 5/8" x 3 7/8"	36	1700427	Flat Washer 1/4"
8	1115354	Header Retainer Clip	22	1116224	Latch Assembled	37	1701543	Nylon Lock Nut 1/4-20
9	*	Extruded Retainer Loop	23	1702926	Cap Screw, 5/16" x 7/8"	38	1705954	Cap Screw Hex Head 5/16-18 X 7/8"
10	*	Header Seal Rear	24	1118193	Left Hand Rail Endplug	39	1700428	Flat Washer 5/16"
11	1705052	End Plug, 1" OD	25	1118096	Square Head Screw (#1 Drive)	40	1706339	Driver Rear Bracket Without Trail Rail
12	*	Aluminum Cross Tubes	26	1117467	Rear Header End Plugs LoPro (Set of Two)	41	1706340	Passenger Rear Bracket Without Trail Rail
13	1704187	Header Stop	27	*	Black Rear Header	42	1706342	Flanged Button Head M6
14	1706275	Driver/ Passenger Rear Bracket	28	1705880	5/16" Rail System Nut	43	1706541	Hardware bag_Cab Mounting Bracket
			29	1115356	Tension Control Bracket			

* Please specify length or make and model of vehicle.

WITH TRAIL RAIL SYSTEM



* This hardware used to mount front brackets on trucks built after July 2020

Replacement Parts With Trail Rail

1	*	Replacement Cover	15	1118097	Right Hand Rail Endplug	30	1703332	Pin, Hitch_1/16" Dia.x 1-5/16" long.
2	*	Black Front Header	16	*	Hook and Loop Fasteners	31	1706277	Cap Screw Button Head M8
3	*	Header Seal Front	17	1706273	Driver Front Bracket	32	1706279	Well Nut 10-32
4	1118191	Front Header End Plugs LoPro (Set of Two)	18	1706274	Passenger Front Bracket	33	1706347	Flat Washer
5	1117594	Header Guide Retainer Assembly	19	*	Passenger's Side Rail	34	1706278	Cap Screw Button Head 10-32 X 1
6	1704707	Header Guide	20	*	Driver's Side Rail	35	1705596	Button Head Screw 1/4-20
7	*	Retainer Strap	21	1114773	Flat Spring, 5/8" x 3 7/8"	36	1700427	Flat Washer 1/4"
8	1115354	Header Retainer Clip	22	1116224	Latch Assembled	37	1701543	Nylon Lock Nut 1/4-20
9	*	Extruded Retainer Loop	23	1702926	Cap Screw, 5/16" x 7/8"	38	1705954	Cap Screw Hex Head 5/16-18 X 7/8"
10	*	Header Seal Rear	24	1118193	Left Hand Rail Endplug	39	1700428	Flat Washer 5/16"
11	1705052	End Plug, 1" OD	25	1118096	Square Head Screw (#1 Drive)	40	1700428	Hardware Bag_Cab Mounting
12	*	Aluminum Cross Tubes	26	1117467	Rear Header End Plugs LoPro (Set of Two)			
13	1704187	Header Stop	27	*	Black Rear Header			
14	1706275	Driver/ Passenger Rear Bracket	28	1705880	5/16" Rail System Nut			
			29	1115356	Tension Control Bracket			

* Please specify length or make and model of vehicle.

OWNER/USER RESPONSIBILITIES:

It is the responsibility of the owner/user to read this manual and comply with the operating procedures. The owner/user is also responsible for inspecting the TruXedo cover and for having parts repaired or replaced when worn or damaged. Failure to follow safety instructions and warning labels could result in failure of your cover system and/or personal injury.

SAFETY INSTRUCTIONS:

1. Do not place objects on or against cover or framework.
2. Do not tie cargo to truck bed cover framework.
3. Never allow children or pets to occupy pickup box while cover is closed.
4. Cover is not airtight. Special care is required to keep cargo clean and dry.
5. Fabric cover won't prevent theft of contents inside truck box.
6. Cover must be rolled fully open and secured with retainer straps when towing vehicle backwards.
7. DO NOT stow rolled cover against cab window.
8. DO NOT ATTEMPT TO DRIVE WITH THE COVER IN THE PARTIALLY OPEN POSITION!
9. A FULLY ROLLED OPEN COVER MUST ALWAYS BE SECURED WITH RETAINER STRAPS.
10. DO NOT operate vehicle with objects on top of the cover.

IMPORTANT OPERATING TIPS:

- Truck bed cover must be free of foreign material including snow and ice before rolling cover open or closed.
- It is recommended to operate vehicle with cover rolled closed and latched for optimal fuel economy.
- After closing cover make sure hook and loop on both sides are engaged.
- If side rails are tipping, clamps can be adjusted to level the rails to ensure proper fit. **DO NOT** roll cover into rear cab window. **DO NOT** stow rolled cover against cab or cab window.

1. Fabric top surface has wrinkles after rolling cover closed.

- Pull fabric taut from each side. For best results, the help of a second person pulling on the opposite side is preferable.

2. Fabric top surface sags between cross tubes.

- Adjustment to automatic tension control may be required, refer to Step 28.

3. Wind lifts up edge of fabric.

- Make sure to engage hook and loop on driver and passenger side after closing the cover. This may need to be done periodically when taking long trips.

4. Excessive fabric flutter while driving.

- Check fabric tension, refer to Step 28.
- Make sure hook and loop fasteners are set, see step 25.

5. Snow and Ice accumulation on top surface.

- Use broom or brush to remove loose snow and ice. **Do not** use sharp or pointed tools to remove snow and ice.
- Direct sunlight will help melt snow and ice from top surface.

6. How to Clean Fabric.

- Soap, water, and soft fine bristle brush.

TROUBLESHOOTING:

Headers Will Not Latch

- Check side rails to make sure they are level.
- Make sure the rear header seal is not caught between side rail & rear header.
- Check position of side rails on truck bed, they may be positioned incorrectly, see steps 14 thru 19
- Make sure cover has proper tension. See Step 28.

Side Rails Tilt Downward or Upward

- Reposition clamp up or down, refer to steps 14 thru 19.

TOU BLSHOOTING CONTINUE:

Cover Leaks Water

- Cover is not designed to be fully water tight.
- Make sure clamps are tight and rails are positioned correctly.
- Extra seal can be added to help block water intrusions.

Top of Cover Pools Water

- Water pooling is normal with fabric covers.
- The cross tubes are not arched, therefore some water pooling may occur and is normal. This will not affect performance or the water management properties in this fabric.
- Make sure cover is pulled tight on each side and automatic tension control is properly adjusted.

Cover Rolls Up Crooked

- Make sure control straps are evenly set. See Step 26.

Cover Is Too Tight or Too loose

- Make sure clamps are tight and rails are positioned correctly.
- Make sure cover is pulled tight on each side and automatic tension control is properly adjusted.

COVER CARE AND MAINTENANCE:

1. Cover surface can be hand washed with mild soap and water or cleaned in a car wash. Thoroughly rinse cover to remove any soap residue. Never use vinyl conditioners that contain silicon, petroleum, or citrus based products on your truck bed cover as they may crack and shrink the vinyl top surface. *****Do not use a power washer to clean cover.***** If a manual car wash is used do not aim the car wash wand directly at the fabric's top surface. This could peel away the vinyl surface.
2. It is recommended that you periodically check that the cover is securely attached to your truck bed. Inspect the clamps and front header guide slides to ensure they were properly installed and have not come loose during operation.
3. It is recommended that you periodically inspect and service the rear latch closures. Clean away any excess dirt or grime and lubricate with silicone spray. Ensure the latches move freely in and out to properly engage the side rail and provide performance with optimal security. Be careful not to over spray the cover.
4. Covers that are used frequently or are subject to vibrations and impacts from rough roadways can require adjustment.
5. If covers is going to be rolled open, for an extended amount of time, periodically re-roll the cover and secure the retainer straps to ensure the cover doesn't rest against the back of the truck cab.

LIFE TIME WARRANTY:

TruXedo warrants that all new, unused products are free from defects in material and workmanship. This Warranty is effective if the product is properly installed and used for the purpose intended. It applies to the original buyer only. TruXedo's obligation under this Warranty is limited to repairing, or at its option, replacing any part that is returned, transportation prepaid, to TruXedo, if the product is, in our judgment, defective. All materials must be accompanied by an RMA (Returned Material Authorization) number requested by and authorized in advance of returning the materials. TruXedo shall not be liable or responsible to supply or pay labor to replace any part found defective, nor shall it be liable for any damages of any kind or nature to person, product, or property.

There are no Warranties for used products or products that have been repaired, altered, modified, subjected to misuse, negligence, accident or ordinary wear and tear. Warranty registration must be on file and/or proof of original purchase (detailed and dated receipt) required for warranty to be valid. Register warranty online at www.truxedo.com.

DIRECT ALL WARRANTY CLAIMS TO TRUXEDO AT (1-877-878-9336)

For all installation videos, visit the Truxedo Youtube channel.

The Following Conditions will Void Warranty:

1. **Wind Whip Damage** - Tarp must be secured at all points when vehicle is in motion. An unsecured tarp will flap, resulting in damage to the fabric.
2. **Improper Cleaning** - It is recommended to use the tested and approved TruXedo Inc. Protex or clean with water, soap and soft fine bristle brush. Do not use vinyl conditioners (i.e. Armor All®)
3. **Overloading of Cargo** - Cargo should not touch the truck cover at any point. Protrusions in the tarp will stress the fabric. Cargo could shift while traveling and come in contact with the truck cover causing damage.