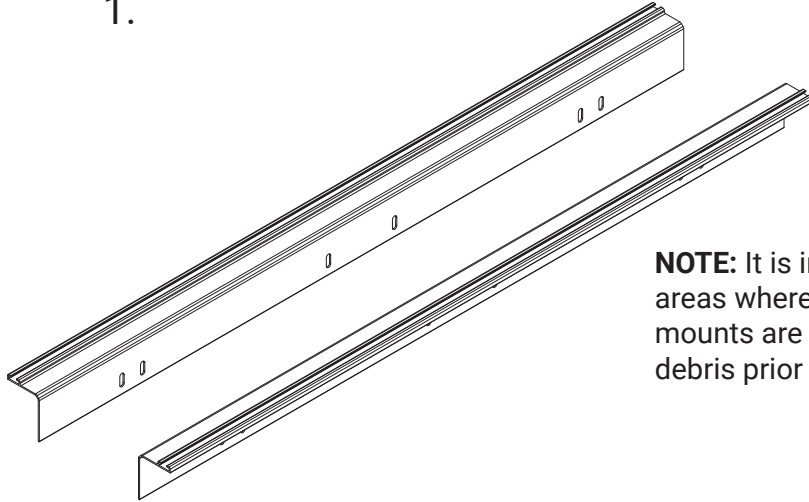


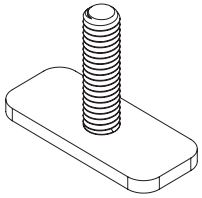
Components and Hardware:

1.

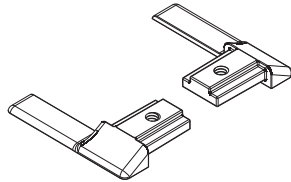


NOTE: It is important that all areas where the rail system mounts are clean and free of debris prior to installing.

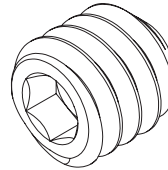
2.



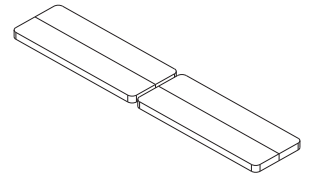
3.



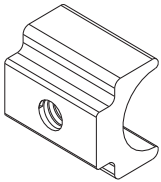
4.



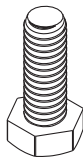
5.



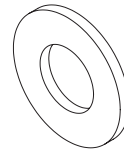
6.



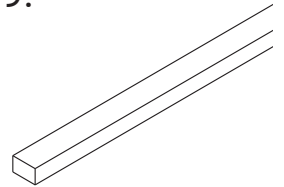
7.



8.



9.



Components and Hardware:

- 1. RealTruck Elevate TS Rails.....(2)
- 2. T-bolts.....(8)
- 3. End Plugs, Driver & Passenger.....(4)
- 4. Set Screws, 1/4" - 20 x .25".....(4)
- 5. Rail End Plug Seal Pack.....(1)
- 6. Female Clamps.....(6)
- 7. Bolt, 5/16" x 7/8".....(6)
- 8. Washer, 5/16".....(8)
- 9. Seal, 3/16" x 5/16" x 17'.....(1)

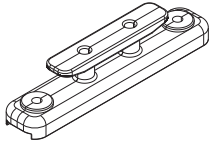
Tools for Installation:

- 1/8" Allen Key (Provided)
- 1/2" Wrench or Socket
- Scissors or Cutting Tool

Part # 1118931

Components and Hardware:

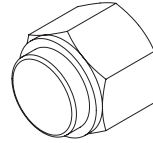
10.



11.



12.



Components and Hardware:

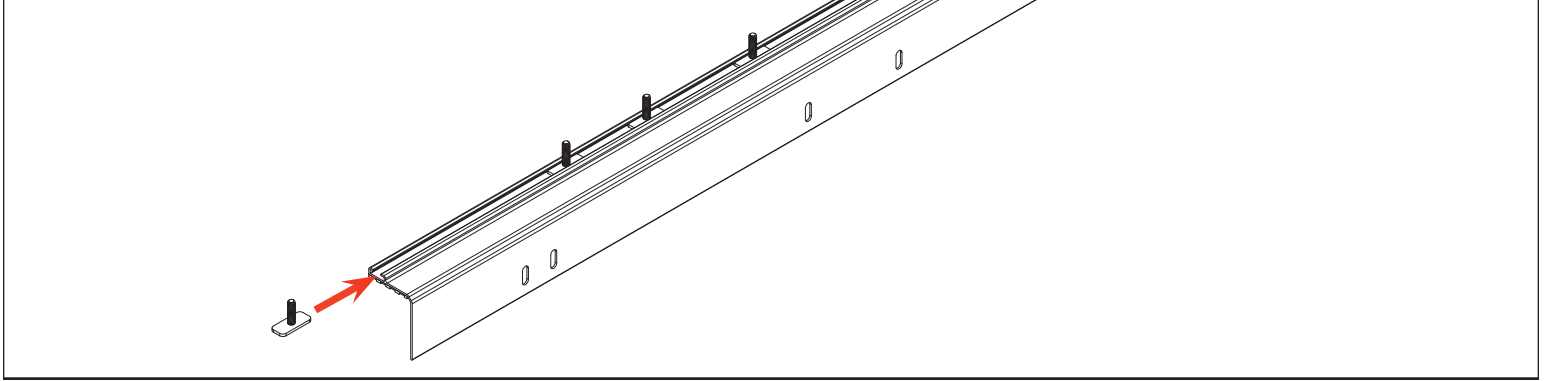
10. Tie-downs.....	(4)
11. Washers, 3/4".....	(6)
12. Cap Nuts, 5/16"-18.....	(8)

RealTruck Elevate TS Rails

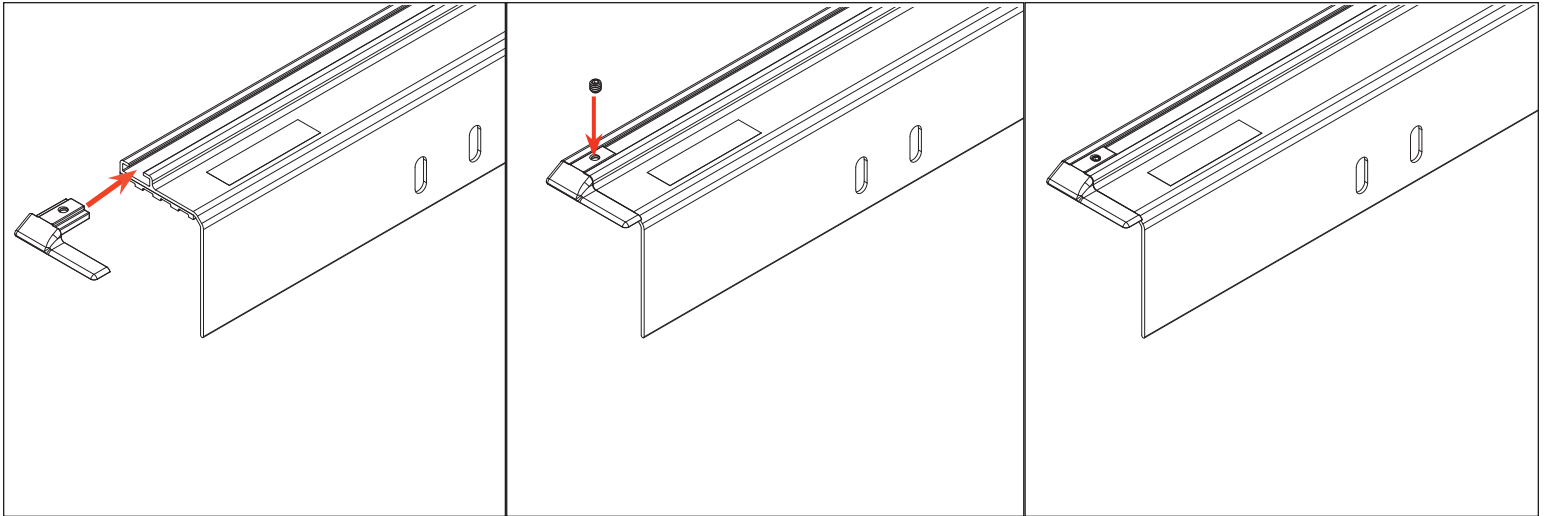
If a truck bed cover is already installed, remove the cover completely before beginning the RealTruck Elevate TS Rails installation. Then, follow the instructions below, paying special attention to 6A, 6B and 6C.

If installing tie-downs, additional accessories, or rack system

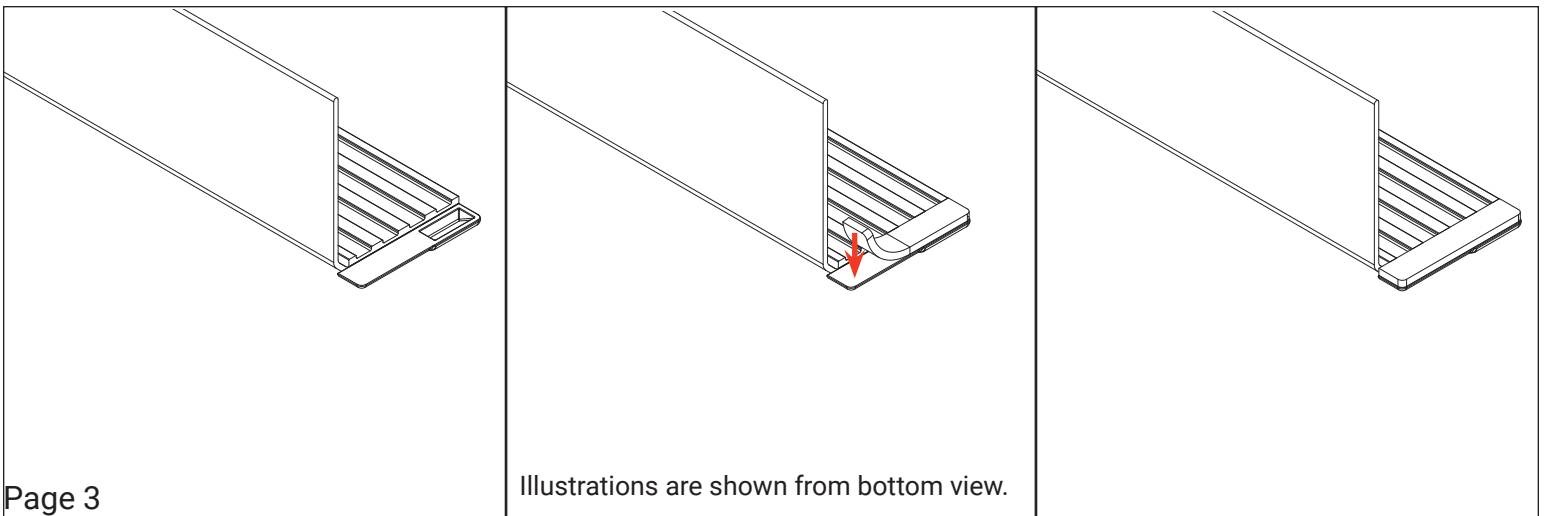
1. Install T-bolts (#2) by sliding them into the RealTruck Elevate TS Rails (#1). Do this for both driver and passenger rails.



2. With provided Set Screws (#4) and Allen Key, install front and rear End Plugs (#3) on both driver and passenger sides. **Do not overtighten.**



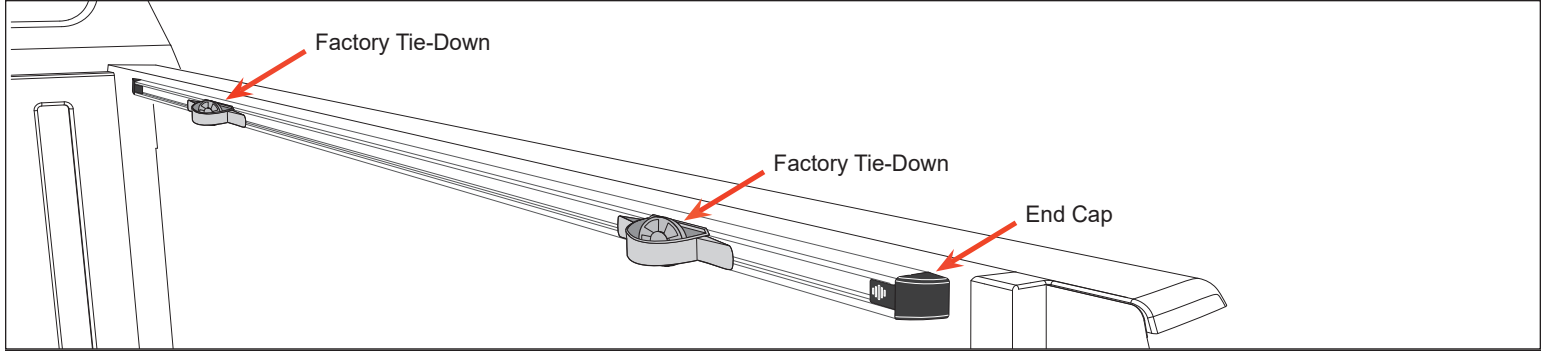
3. Install Rail End Plug Seals (#5) to the bottom side of all 4 End Plugs (#3).



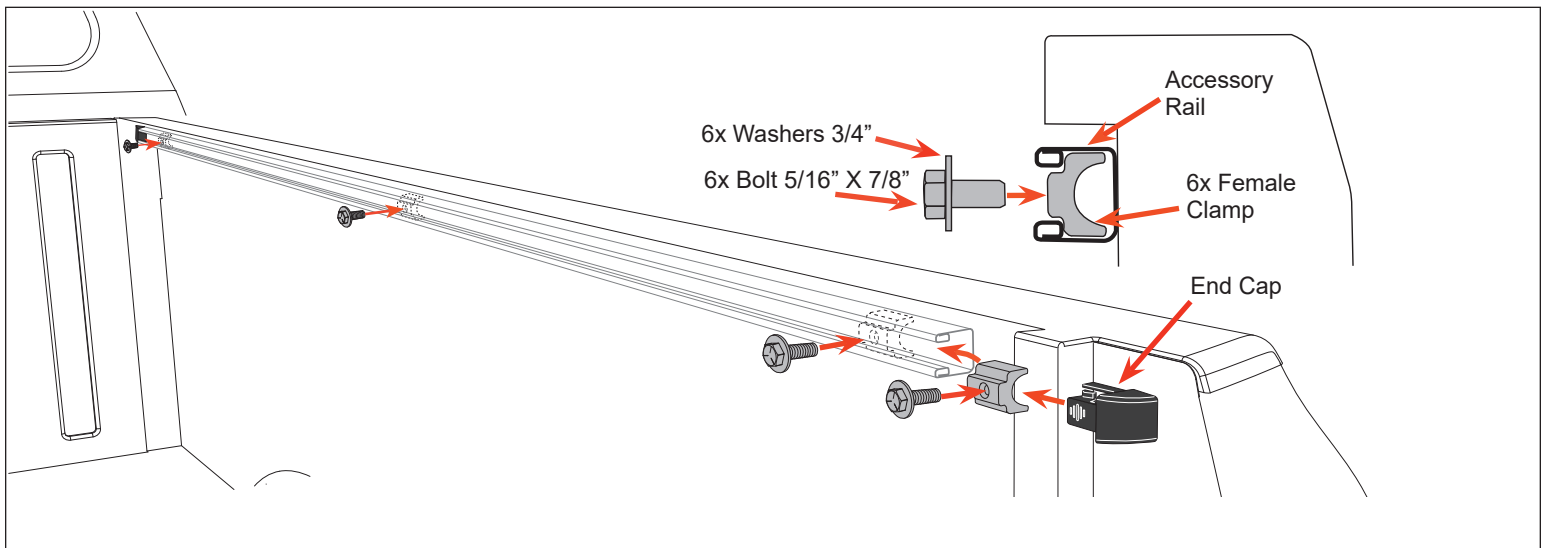
RealTruck Elevate TS Rails

Steps 4-5C - If NOT installing with a truck bed cover. If installing with bed cover, skip to Step 6A.

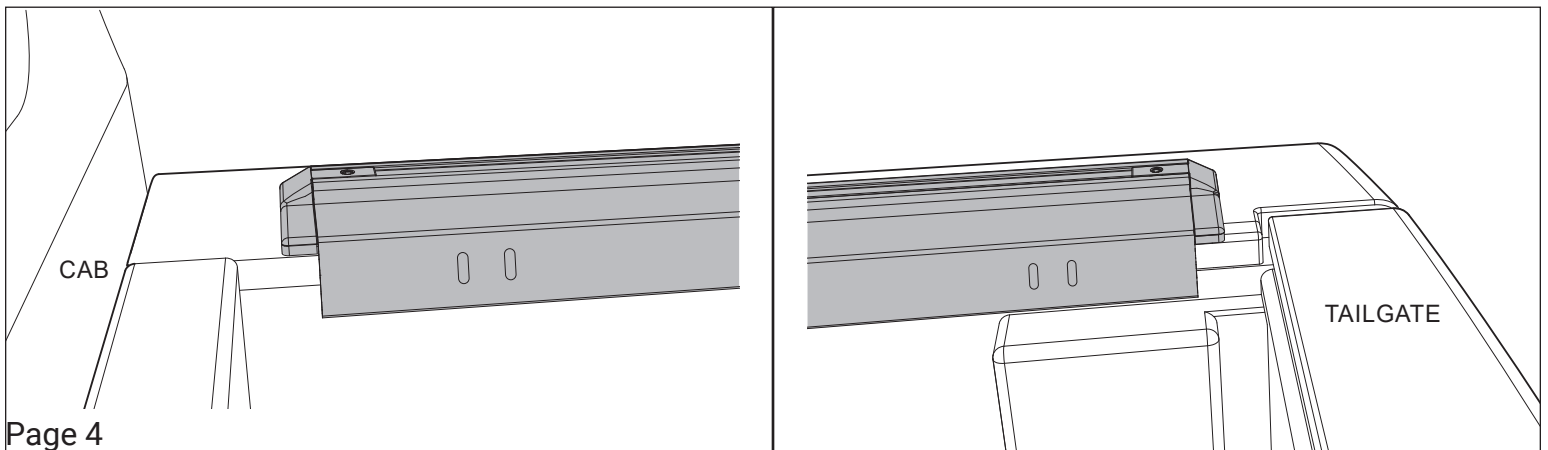
4. Remove the end cap from the tailgate end and both factory tie-downs before installing the TS Rails (#1).



5A. Install 3 Female Clamps (#6) into the accessory rail from the tailgate end. Then put the end cap back into the tailgate end of the accessory rail. Finger tighten the Bolts (#7) and Washers (#11) against the side rail.

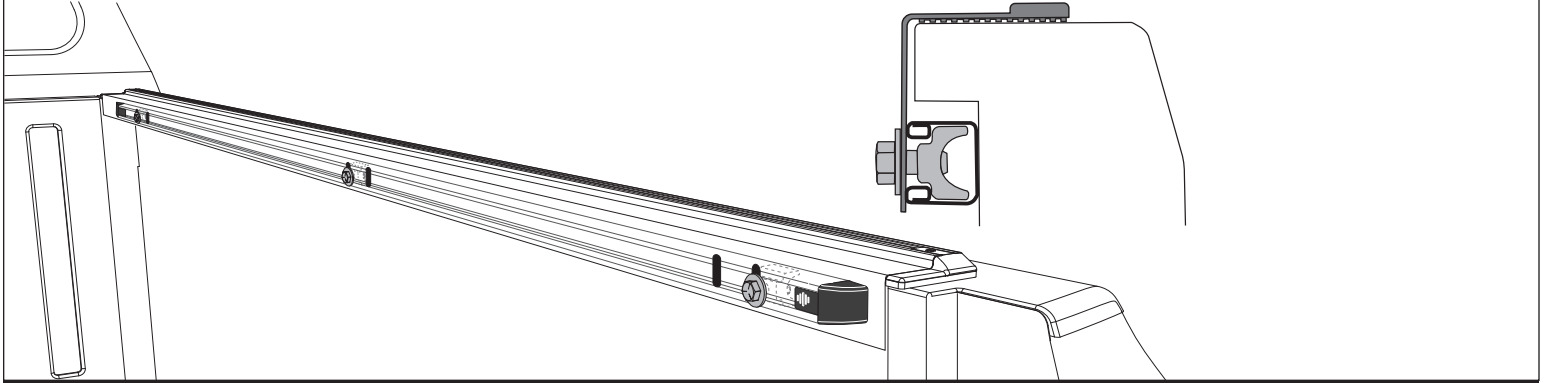


5B. Position the RealTruck Elevate TS Rails (#1) onto the truck bed by aligning the holes in the rail with the 3 Female Clamps (#6) in the accessory rail, spacing them approximately 8" on each end of the rail and one in the middle.



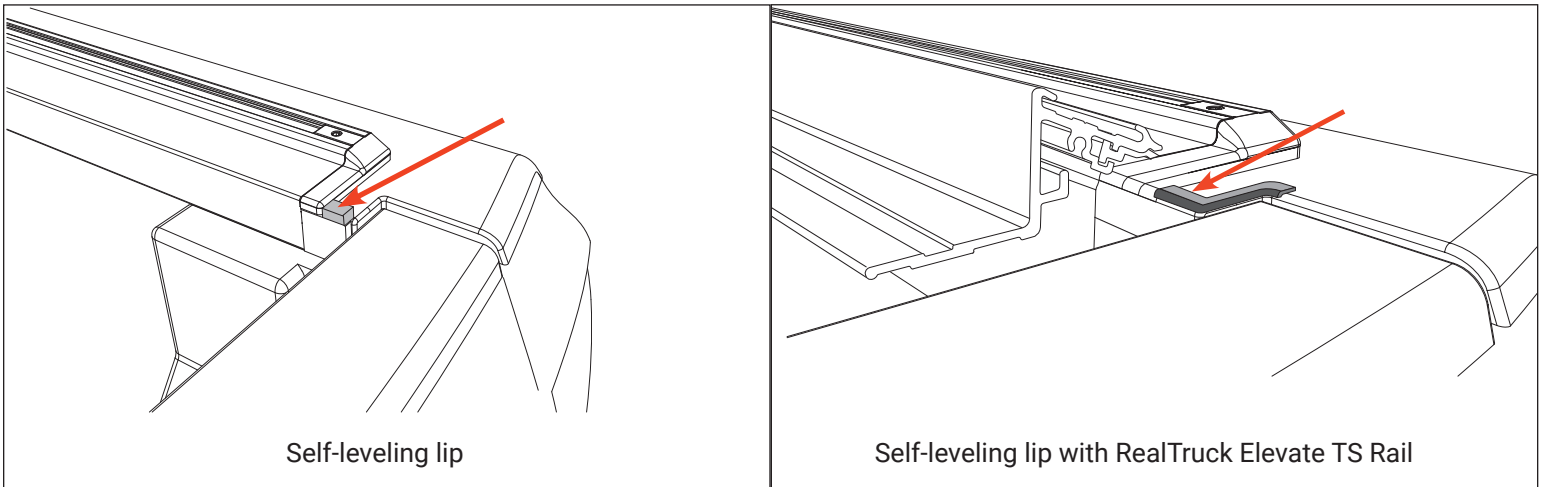
RealTruck Elevate TS Rails

5C. Make sure the RealTruck Elevate TS Rails (#1) are positioned correctly and then tighten all clamps with a 1/2" Socket or Wrench.

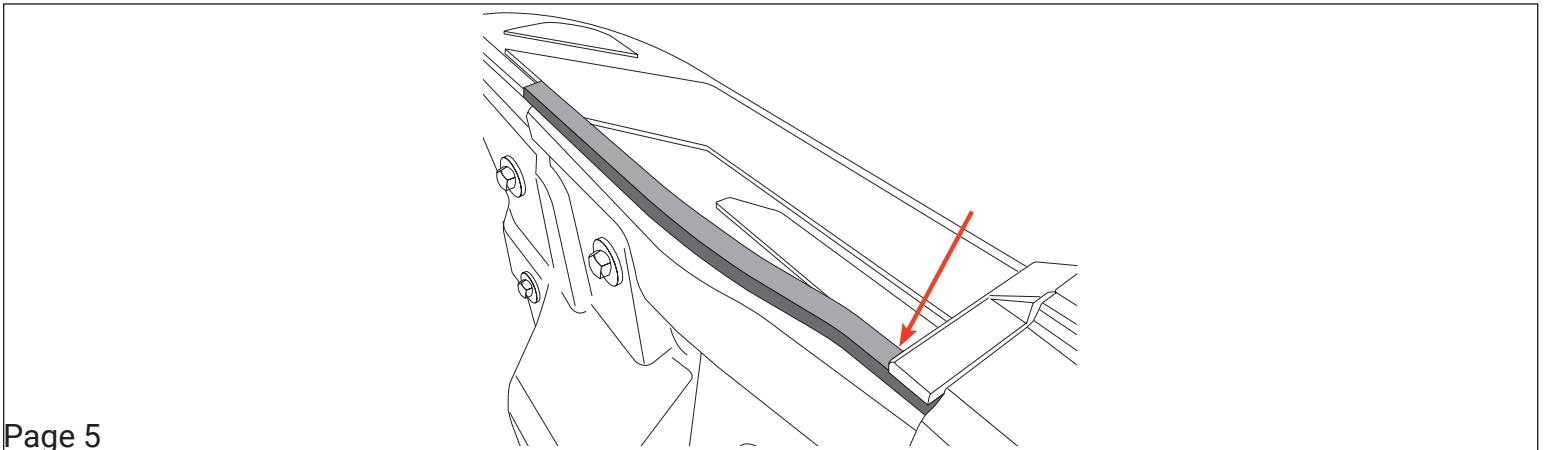


Steps 6A-6C - If installing WITH a truck bed cover.

6A. If your truck bed rail has a self-leveling lip on it, install a piece of Seal (#9) to the top of the bed rails. Lay the Seal (#9) starting at the End Plug (#3) of the truck bed cover rail. Trim the Seal (#9) flush with the end of the truck bed cover rail assembly. The length of this Seal (#9) will vary by the truck model. When installed correctly the seal will lay flat.

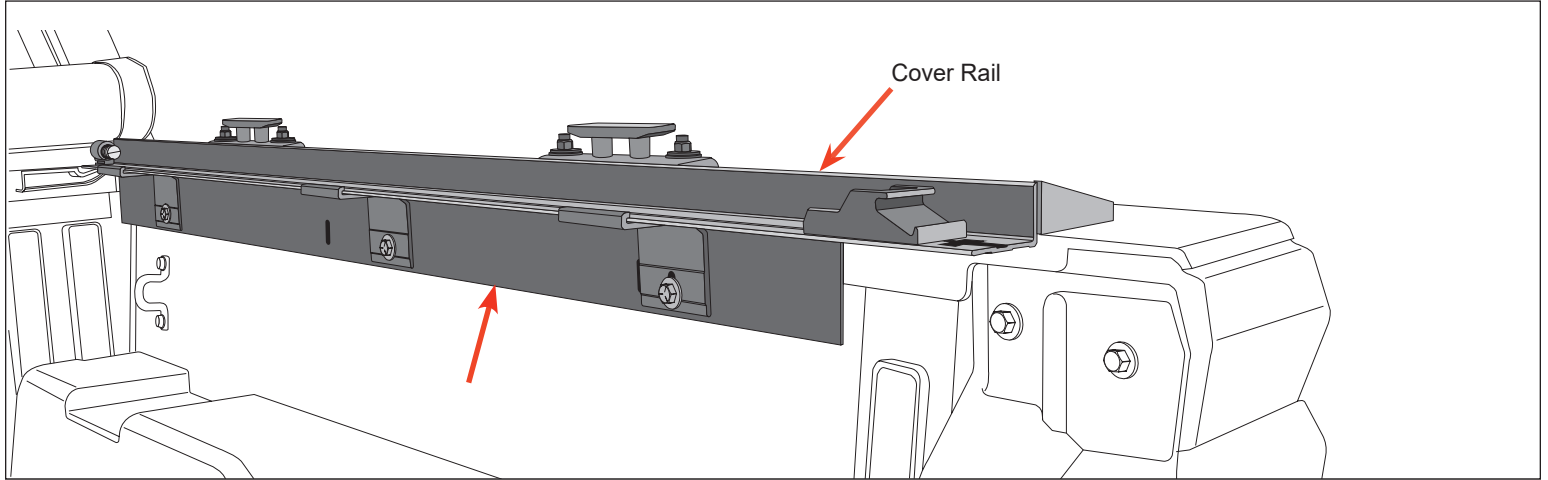


6B. If your truck bed rail has a self-leveling lip on it, install a piece of Seal (#9) to the top of the bed rails. Lay the Seal (#9) starting at the End Plug (#3) of the truck bed cover rail. Trim the Seal (#9) flush with the end of the truck bed cover rail assembly. The length of this Seal (#9) will vary by the truck model. When installed correctly the seal will lay flat.



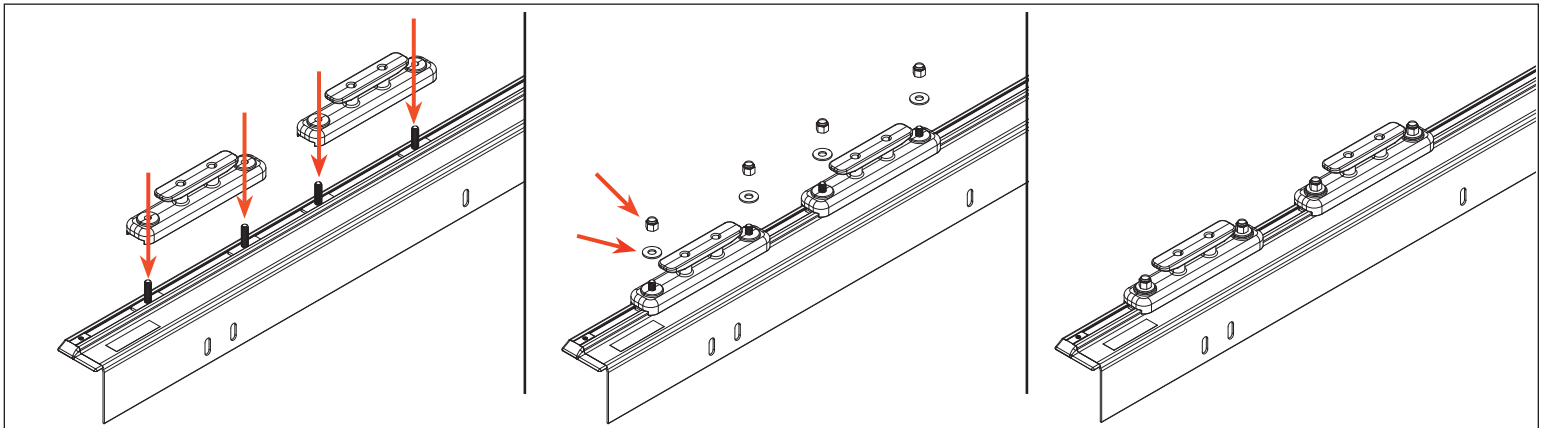
RealTruck Elevate TS Rails

6C. Make sure the RealTruck Elevate TS Rails (#1) and the cover rails are positioned correctly and then tighten all clamps with a 1/2" Socket or Wrench. Please refer to the truck bed cover owners manual for further instruction.



If installing tie-downs, additional accessories, or rack system

7. Complete the installation by installing Tie-downs (#10) with Washer (#8) and Cap Nuts (#12). The Tie-downs (#10) can be positioned according to a preferred location. Tighten to 7-10 FT-Lbs 10.5-13.5 NM.



RealTruck Elevate TS Rails

SYSTEM GUIDELINES FOR REALTRUCK ELEVATE TS RAILS

- Review all instructions, guidelines, and warranty information before installing or using RealTruck Elevate TS Rails.
- Check state and local laws for compliance with oversized loads.
- Adapt speed and care of the vehicle to the load being carried.
- Be conscious of load weight, a high center of gravity is a rollover risk.
- All loads change the vehicle's driving behavior and responsiveness.
- Do not use RealTruck Elevate TS Rails for anything other than its intended purpose.
- Do not exceed the maximum load capacity (load capacity does change by terrain).
- Do not drive without the rails properly installed and fasteners torqued to specification.
- Know the overall height of every load. Be vigilant of low clearances.
- RealTruck Elevate TS Rails works with most inside mount truck bed covers.
- RealTruck Elevate TS Rails do NOT increase the load rating of the vehicle.

REALTRUCK ELEVATE TS RAILS LOAD RATING

The RealTruck Elevate TS Rails are rated for 750 lbs. static weight capacity (max. load in a fixed or stationary position), 500 lbs. on-road weight capacity and 250 lbs. off-road weight capacity.