

# INSTALLATION MANUAL

# 11636

## Level of Difficulty

Easy

Installation difficulty levels are based on time and effort involved and may vary depending on the installer level of expertise, condition of the vehicle and proper tools and equipment.

## Weight Carrying Capacity

Gross trailer weight (GTW)	2,000 lbs.
Tongue weight (TW)	200 lbs.

## Parts List

Item	Qty	Description
1	4	Carriage bolt, 7/16"-14 x 1-3/4"
2	4	Serrated flange nut, 7/16"-14
3	4	Square hole spacer, .25" x .88" x 2.25"

## Tools Required

Ratchet	Flathead screwdriver
Socket, 10mm	Phillips screwdriver
Socket extension, 6"	Die grinder
Torque wrench	Fishwire, 7/16" (includes 4 qty)

\* For a tools reference guide visit [curtmfg.com/trailer-hitch-installation](http://curtmfg.com/trailer-hitch-installation)

## ⚠ WARNING

Never exceed the vehicle manufacturer's recommended towing capacity.

## Product Photo



## NOTICE

Visit [www.curtmfg.com](http://www.curtmfg.com) for a full-color copy of this instruction manual, as well as helpful videos, guides and much more!

Before you begin installation, read all instructions thoroughly.

Proper tools will improve the quality of installation and reduce the time required.

This installation requires:

- Part removal
- Hole enlargement
- Fishwiring

Periodic inspection of the trailer hitch should be performed to ensure all mounting hardware remains tight and structural components are secure.

To help prevent damage to the product or vehicle, refer to the specified torque specifications when securing hardware during the installation process.

## SAFETY INSTRUCTIONS

Safety glasses should be worn at all times while installing this product.

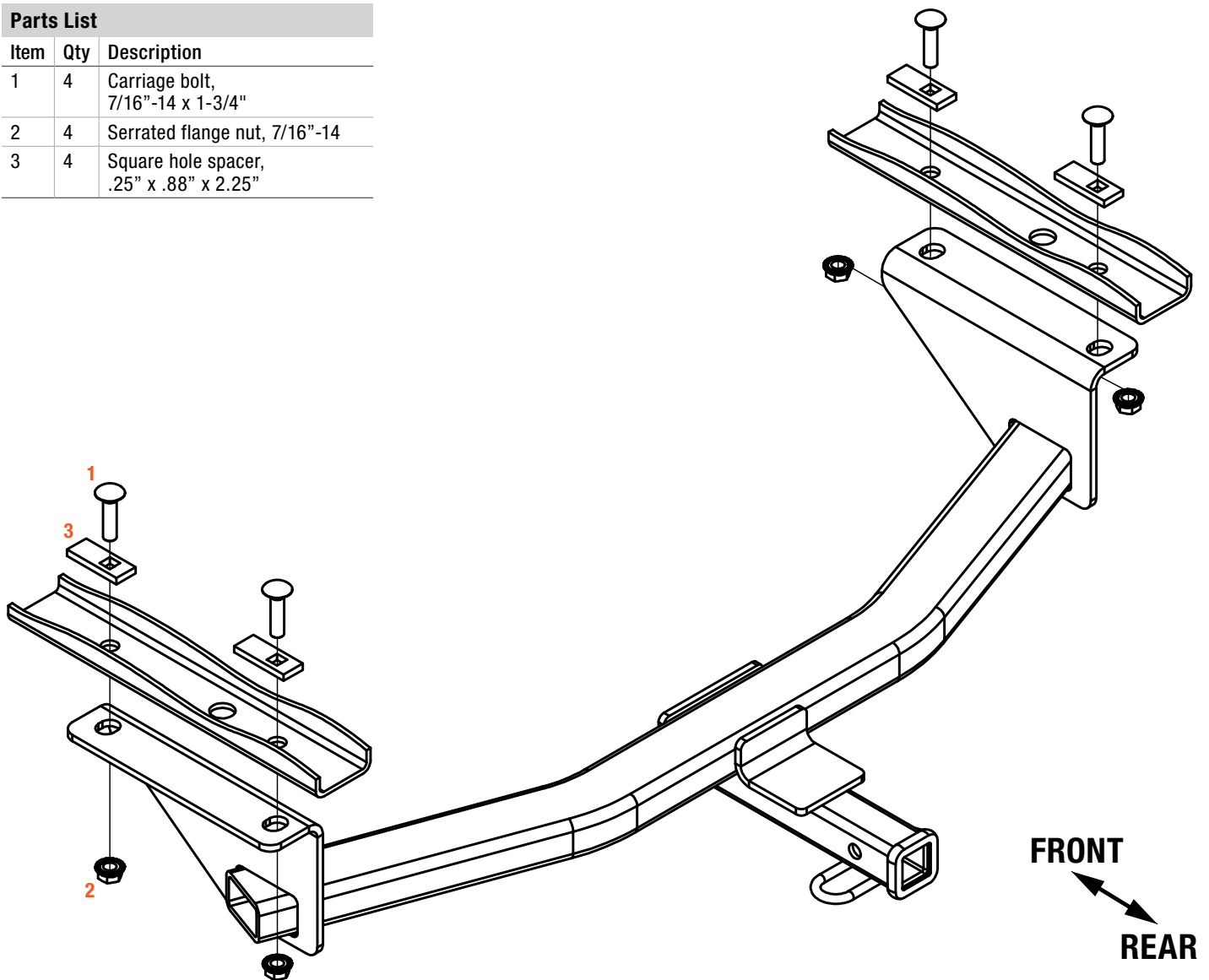
## Product Registration and Warranty

CURT stands behind our products with industry-leading warranties. To get copies of the product warranties, register your purchase or provide feedback, visit: [warranty.curtgroup.com/surveys](http://warranty.curtgroup.com/surveys)

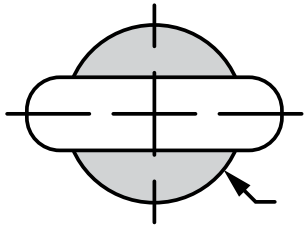
# ASSEMBLY

## Parts List

Item	Qty	Description
1	4	Carriage bolt, 7/16"-14 x 1-3/4"
2	4	Serrated flange nut, 7/16"-14
3	4	Square hole spacer, .25" x .88" x 2.25"

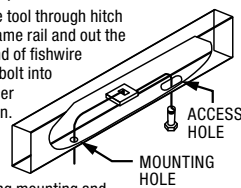


### HOLE ENLARGEMENT



### FISHWIRE TECHNIQUE

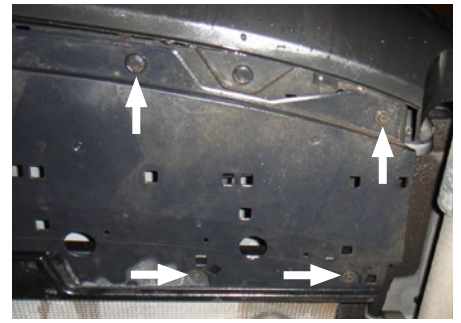
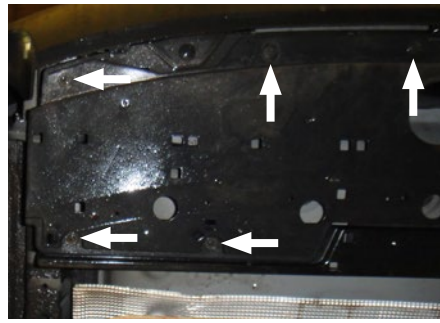
Insert coiled end of fishwire tool through hitch mounting hole in vehicle frame rail and out the access hole. Pass coiled end of fishwire through spacer and thread bolt into coil. Kink wire to keep spacer separate from bolt as shown. Pull fishwire, spacer and bolt through frame and out mounting hole. Use fishwire to guide hitch during mounting and prevent loss of bolt or spacer inside frame rail.



### Step 1

Remove the bottom panel by using a Phillips screwdriver to remove seven screws and a flathead screwdriver to remove two pop rivets.

Remove the trim panel and return to the owner with hardware.



### Step 2

Remove the bottom bracket attachment using a 10mm socket to remove two bolts (one on each side). Press the bracket slightly inward to release the bracket from the plastic tab attached to the frame rails.

Return the bracket to the vehicle owner.



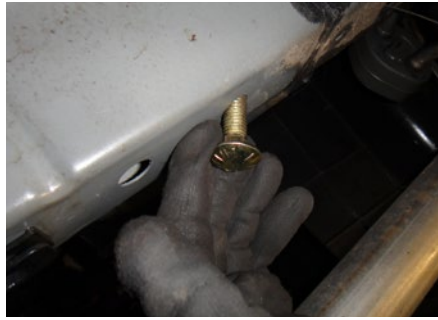
### Step 3

Use a die grinder to enlarge the access hole to 1" in diameter on each side of the vehicle.



#### Step 4

Use a fish wire to insert the square hole spacers (#3) and 7/16" carriage bolts (#1) into the frame through the access hole on each frame rail. Be sure to leave the fish wire attached to hardware.



#### Step 5

Raise the hitch into position so that the holes on the hitch are aligned with holes on the frame rails. Remove the fish wire from the bolts.

Secure the hitch to the frame rails using 7/16" serrated flange nuts (#2).

**Note:** Be careful not to push the hardware into the frame



#### Step 6

Torque all 7/16" hardware to 59 ft-lbs using a torque wrench.



## Final Installed Image



## TOWING BASICS & SAFETY INFORMATION

For information on safely towing your trailer, visit [curtmfg.com/understanding-towing](https://curtmfg.com/understanding-towing).