

# INSTALLATION MANUAL

# 11640

## Level of Difficulty

Moderate

Installation difficulty levels are based on time and effort involved and may vary depending on the installer level of expertise, condition of the vehicle and proper tools and equipment.

## Weight Carrying Capacity

Gross trailer weight (GTW)	2,000 lbs.
Tongue weight (TW)	200 lbs.

## Parts List

Item	Qty	Description
1	1	Trailer hitch
2	1	Carriage bolt, 1/2" - 13 x 2"
3	4	Hex bolt, M8 - 1.25 x 40
4	1	Serrated-flange nut, 1/2" - 13
5	4	Conical-toothed washer, 3/8"
6	1	Spacer, 2.00" x 1.50" x .25"

## Tools Required

Ratchet	Flathead screwdriver
Torque wrench	Rotary tool
Socket, 12mm	Tape measure
Socket, 13mm	Tape
Socket, 3/4"	--

\* For a tools reference guide visit [curtmfg.com/trailer-hitch-installation](http://curtmfg.com/trailer-hitch-installation)

## ⚠ WARNING

Never exceed the vehicle manufacturer's recommended towing capacity.

## Product Photo



## NOTICE

Visit [www.curtmfg.com](http://www.curtmfg.com) for a full-color copy of this instruction manual, as well as helpful videos, guides and much more!

Before you begin installation, read all instructions thoroughly.

Proper tools will improve the quality of installation and reduce the time required.

This installation requires:

- Bumper fascia trimming required

Periodic inspection of the trailer hitch should be performed to ensure all mounting hardware remains tight and structural components are secure.

To help prevent damage to the product or vehicle, refer to the specified torque specifications when securing hardware during the installation process.

## SAFETY INSTRUCTIONS

Safety glasses should be worn at all times while installing this product.

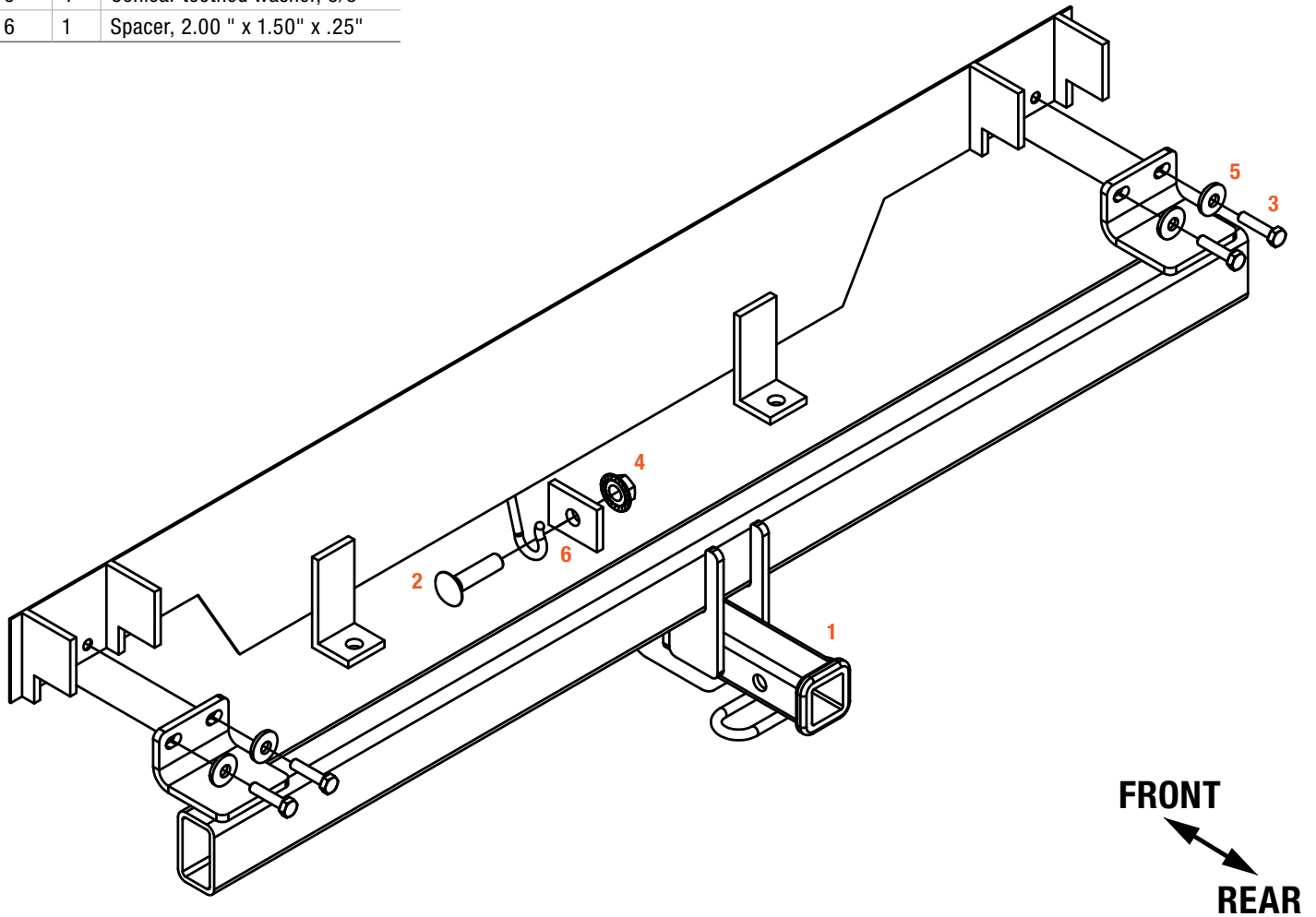
## Product Registration and Warranty

CURT stands behind our products with industry-leading warranties. To get copies of the product warranties, register your purchase or provide feedback, visit: [warranty.curtgroup.com/surveys](http://warranty.curtgroup.com/surveys)

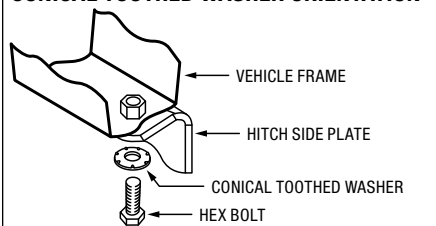
# ASSEMBLY

## Parts List

Item	Qty	Description
1	1	Trailer hitch
2	1	Carriage bolt, 1/2" - 13 x 2"
3	4	Hex bolt, M8 - 1.25 x 40
4	1	Serrated-flange nut, 1/2" - 13
5	4	Conical-toothed washer, 3/8"
6	1	Spacer, 2.00" x 1.50" x .25"

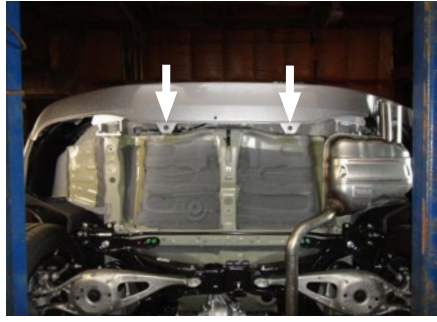


### CONICAL TOOTHED WASHER ORIENTATION



### Step 1

Remove lower fascia panel by removing two push fasteners from the bottom of the vehicle, one push fastener from the middle of the bumper cover inside the bumper, and one screw from each end of the panel.



### Step 2

Remove the bottom two M8 bolts from each bumper beam connection to the vehicle.



### Step 3

Raise the hitch into position and loosely secure with included M8 bolts and serrated conical-toothed washer.



### Step 4

Install the 1/2" carriage bolt through the hitch, then vehicle recovery loop and then spacer. Secure with a serrated flange nut.



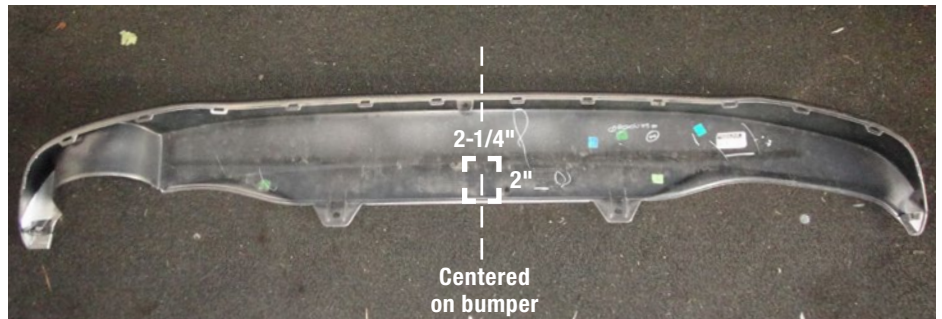
### Step 5

Torque the M8 hardware to 23 ft-lbs and 1/2" hardware to 90 ft-lbs.



### Step 6

Trim the bumper panel using the trim diagram for reference. Reinstall the bumper panel by repeating step 1 in reverse.



### Final Installed Image



### TOWING BASICS & SAFETY INFORMATION

For information on safely towing your trailer, visit [curtmfg.com/understanding-towing](https://curtmfg.com/understanding-towing).