

YEARS: 2018-PRESENT

MAKE: FORD

MODEL: ECOSPORT

STYLE: CUV

WARNING: NEVER EXCEED YOUR VEHICLE MANUFACTURER'S RECOMMENDED TOWING CAPACITY
 For more information log onto www.curtmfg.com & for helpful towing tips log onto www.hitchinfo.com

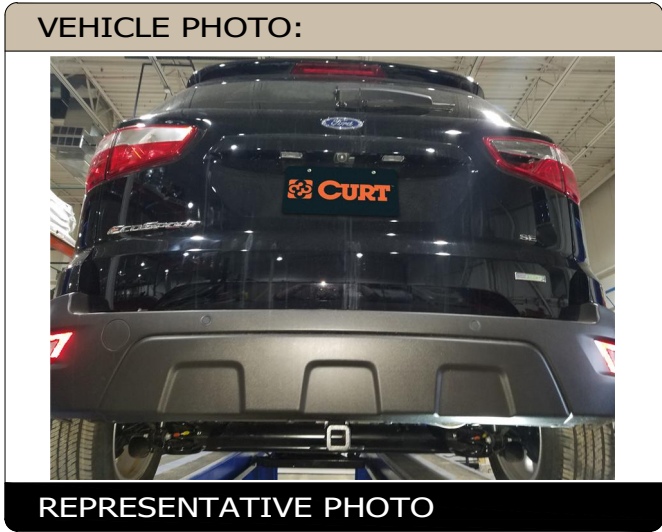
WEIGHT CARRYING:
 TRAILER WEIGHT: 3,500 LBS.
 TONGUE WEIGHT: 350 LBS.

WARNING:
 ALL NON-TRAILER (WHEEL-LESS) LOADS APPLIED TO THIS PRODUCT MUST BE SUPPORTED BY 18050 STABILIZING STRAPS. PLEASE SEE THE CURT CATALOG OR VISIT US ONLINE AT WWW.CURTMFG.COM FOR FURTHER INFORMATION.

PRO INSTALL TIME: 20 MIN.
NOVICE INSTALL TIME: 45 MIN.

IF YOU ARE HESITANT TO UNDERTAKE THIS TASK ON YOUR OWN, CONTACT AN AUTHORIZED CURT INSTALLER FOR ADDITIONAL ASSISTANCE.

- INSTALLATION TIPS:**
- BEFORE YOU BEGIN INSTALLATION, READ ALL INSTRUCTIONS THOROUGHLY.
 - TO EASE INSTALLATION, 2 PEOPLE MAY BE REQUIRED.
 - USING PROPER TOOLS WILL GREATLY IMPROVE THE QUALITY OF THE INSTALL AND REDUCE THE TIME REQUIRED.
 - NEED HELP OR HAVE SOME QUESTIONS? CALL TECHNICAL SUPPORT AT 800.798.0813

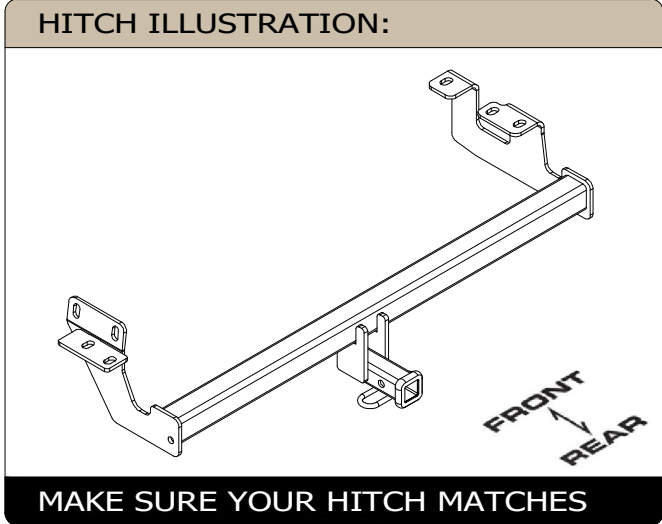


INSTALLATION REQUIRES:

| | | |
|--------------------------------------|---------------------|-----------------|
| RATCHET | 6" SOCKET EXTENSION | TORQUE WRENCH |
| 5.5mm 10mm 15mm 3/4" SOCKET | MASKING TAPE | AVIATION SHEARS |
| SAFETY GLASSES | | |
| | | |

LEVEL OF DIFFICULTY: EASY

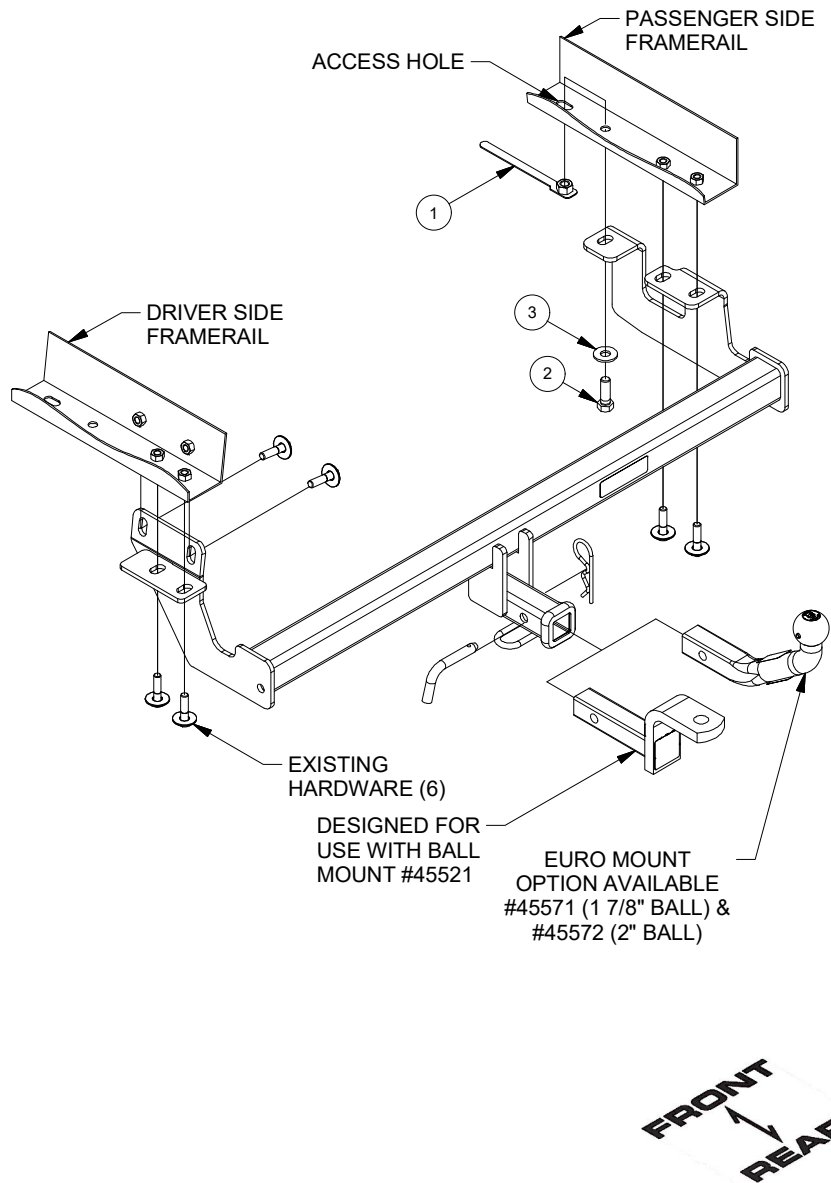
| EASY | MODERATE | CHALLENGING |
|------|------------------------|-------------|
| | LOWER EXHAUST | |
| | TRIMMING OPTIONAL | |
| | TEMPORARY PART REMOVAL | |
| | | |
| | | |



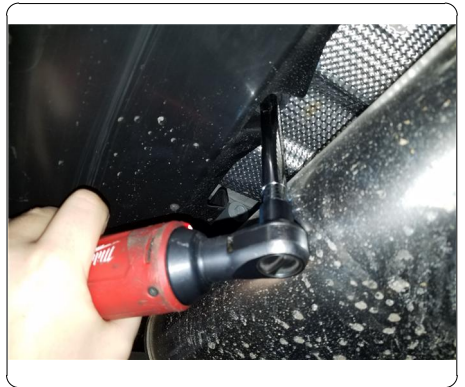
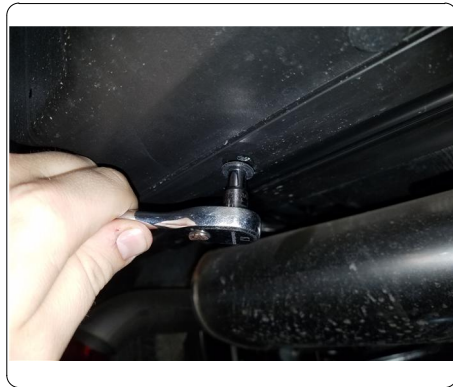
PERIODICALLY CHECK THIS RECEIVER HITCH TO ENSURE ALL FASTENERS ARE TIGHT AND ALL STRUCTURAL COMPONENTS ARE SOUND
 CURT Manufacturing LLC. warrants this product to be free of defects in material and/or workmanship at the time of retail purchase by the original purchaser. If the product is found to be defective, CURT Manufacturing LLC. may repair or replace the product at their option, when the product is returned, prepaid, with proof of purchase. Alteration to, misuse of, or improper installation of this product voids the warranty. CURT Manufacturing LLC.'s liability is limited to repair or replacement of products found to be defective, and specifically excludes liability for incidental or consequential loss or damage.
 For more information log onto www.curtmfg.com
 This product complies with safety specifications and requirements for connecting devices and towing systems of the state of New York, V.E.S.C.Regulation V-5 and SAE J684.

INSTALLATION WALKTHROUGH:

| Parts List | | | |
|------------|-----|------------------|------------------------|
| ITEM | QTY | PART NUMBER | DESCRIPTION |
| 1 | 1 | 1/2-13 | HANDLE NUT |
| 2 | 1 | 1/2 - 13 x 1 1/2 | HEX BOLT |
| 3 | 1 | 1/2" | CONICAL TOOTHED WASHER |



1. For 2.0 engine models, on the lower fascia panel, locate (10) screws and (2) nuts and remove using a 5.5mm and 10mm sockets. Remove lower fascia panel and set aside for later reinstallation.
NOTE: 1.0 engine models skip to Step 2.

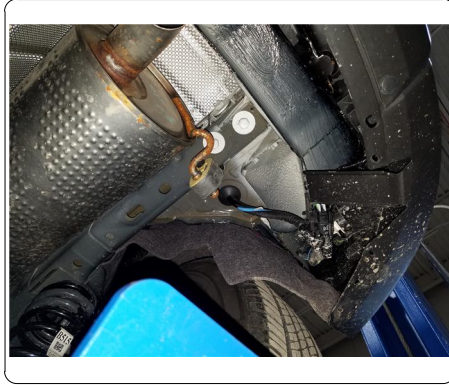
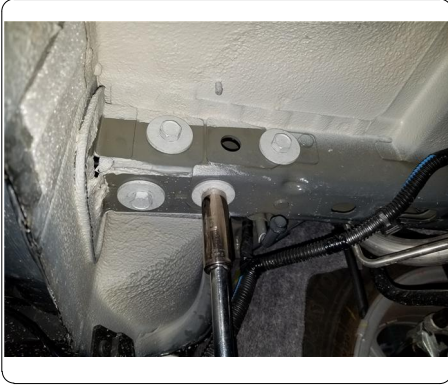


2. Lower exhaust by removing (2) rubber exhaust isolators. Support the exhaust during installation to prevent damage.
 (See Rubber Isolator Removal Diagram)

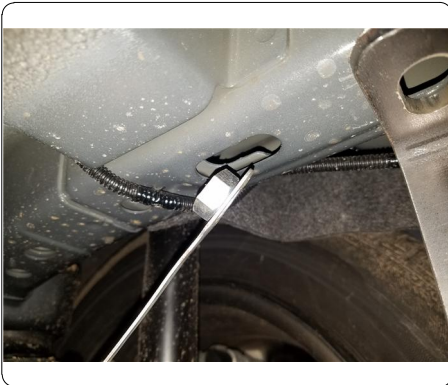


INSTALLATION WALKTHROUGH:

3. Remove (6) M10 bolts using a 15mm socket from the framerails, (4) on the Driver Side and (2) on the Passenger Side. Raise hitch into position and use the (6) removed bolts to attach hitch to vehicle.

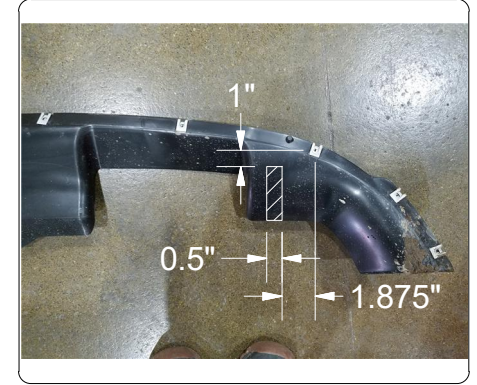


4. Feed the 1/2" handle nut through the access hole to the forwardmost attachment for the passenger sideplate. Attach the 1/2" hex bolt and conical tooth washer. Torque all M10 hardware to 45 ft-lbs. and all 1/2" hardware to 110 ft-lbs.



For more information log onto www.curtmfg.com

5. For 2.0 Engine models, either don't reinstall the lower fascia panel or trim panel to fit around hitch. To trim, mark out the (3) sections using masking tape and trim using aviation shears. All dimensions are approximate. Confirm fit prior to installation.



Additional Trim Diagram



TOWING SAFETY INFORMATION

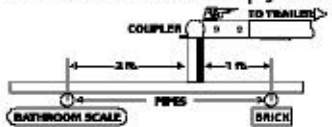
Gross Trailer Weight / GTW

The Gross Trailer Weight is the weight of the trailer & cargo. Measure this by putting the fully loaded trailer on a vehicle scale.



Tongue Weight / TW

The downward force that is exerted on the hitch ball by the coupler. The tongue weight will vary depending on where the load is positioned in relationship to the trailer axle(s). To measure the tongue weight, use either a commercial scale or a bathroom scale with the coupler at towing height. When using a bathroom scale with heavier tongue weights, use the method shown and multiply the scale reading by 3.



Weight Carrying / WC

The total weight of both the trailer and the cargo inside. Never exceed the weight capacity of your trailer hitch.

Weight Distribution / WD

Used to balance the weight of the cargo between the front and rear wheels throughout the trailer, allowing for better steering, braking, and level riding.



Sway Control

A device used to reduce the lateral movements of the trailer that are caused by the wind. This works in conjunction with a weight distribution hitch. Do not use this on a class 1 or 2 hitch, or with surge brakes.

How Much Can You Safely Tow?

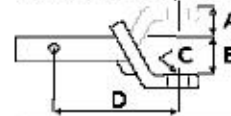
| TONGUE WEIGHT (lb.) | 1000 | 2000 | 3000 | 4000 | 5000 | 6000 | 7000 | 8000 | 10,000 | 12,000 | |
|---------------------|---------|------|------|------|------|------|------|------|--------|--------|--|
| CLASS 1 | CLASS 1 | | | | | | | | | | |
| CLASS 2 | CLASS 2 | | | | | | | | | | |
| CLASS 3 | CLASS 3 | | | | | | | | | | |
| CLASS 4 | CLASS 4 | | | | | | | | | | |
| CLASS 5 | CLASS 5 | | | | | | | | | | |
| Coupler | 11 | 12 | 13 | 14 | 15 | 16 | | | | | |
| Inc. | 1100 | 1200 | 1300 | 1400 | 1500 | 1600 | | | | | |
| Weight | 11 | 12 | 13 | 14 | 15 | 16 | 17 | 18 | 19 | 20 | |
| Inc. | 2100 | 2400 | 2700 | 3000 | 3300 | 3600 | 3900 | 4200 | 4500 | 4800 | |
| Weight | 11 | 12 | 13 | 14 | 15 | 16 | 17 | 18 | 19 | 20 | |
| Inc. | 2800 | 3200 | 3600 | 4000 | 4400 | 4800 | 5200 | 5600 | 6000 | 6400 | |
| 5th Wheel | | | | | | | | | | | |

Refer to owner's manual for towing capabilities and limitations.

Ball Mount

The ball mount is placed inside the opening of the receiver hitch which is mounted to the vehicle. Make sure a hitch pin and clip is properly securing the ball mount to the receiver hitch before you begin towing.

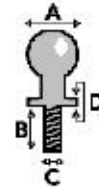
- A: Rise. B: Drop. C: Hole Size. D: Length.



Trailer Ball

The connection from the hitch to the trailer. There are many factors that determine the correct hitch ball:

- Number one is the hitch ball's gross trailer weight rating.
- The mounting platform must be at least 3/8" thick.
- The hole diameter must not be more than 1/16" larger than the threaded shank.
- Every time you tow, check the nut and lock washer to make sure they are fastened securely.
- A: Ball Dia. B: Shank Length. C: Shank Dia. D: Shank Rise.



Coupler

The component that is placed over the trailer ball to connect the vehicle to the trailer. Be sure that the coupler size matches the size of the hitch ball and that the coupler handle is securely fastened. To determine what size hitch ball you need for your application you will need to know the size of coupler that is on the trailer. Be sure your coupler is properly adjusted to the ball you are using.

NOTE: For added security the use of safety devices such as Coupler Safety Pins and Locks is strongly recommended.

Safety Chains

Safety chains are a requirement and should be crossed under the tongue of the trailer so that the tongue will not drop to the road if it becomes separated from the hitch. Always leave enough slack so you can turn. Never allow the safety chains to drag on the ground and never attach the chains to the bumper.

Trailer Classification: Safety Chain Breaking Force - Minimum

Class 1: 2,000 lbs. (8.9 kN)

Class 2: 3,500 lbs. (15.6 kN)

Class 3: 5,000 lbs. (22.2 kN)

The strength rating of each length of safety chain or its equivalent and its attachments shall be equal to or exceed in minimum breaking force the GVWR (Gross Vehicle Weight Rating) of the trailer.

Electrical

Trailer lights, Electric Brakes, Break-away systems - Every time you tow, be sure to check that all components are working properly.

Wiring identification by color:



CURT DISCLAIMER: WIRING COLOR SHOWN WORK IN CONJUNCTION WITH CURT MANUFACTURING PRODUCTS.

12188

FORD ECOSPORT

4/13/2018

PAGE 1 of 2

GROSS LOAD CAPACITY WHEN USED AS A WEIGHT CARRYING HITCH: 3,500 LBS. TRAILER WEIGHT & 350 LBS. TONGUE WEIGHT.

WARNING: ALL NON-TRAILER (WHEEL-LESS) LOADS APPLIED TO THIS PRODUCT MUST BE SUPPORTED BY 18050 STABILIZING STRAPS.



WARNING: ** FAILURE TO PROPERLY SUPPORT NON-TRAILER LOADS WILL VOID PRODUCT WARRANTY **

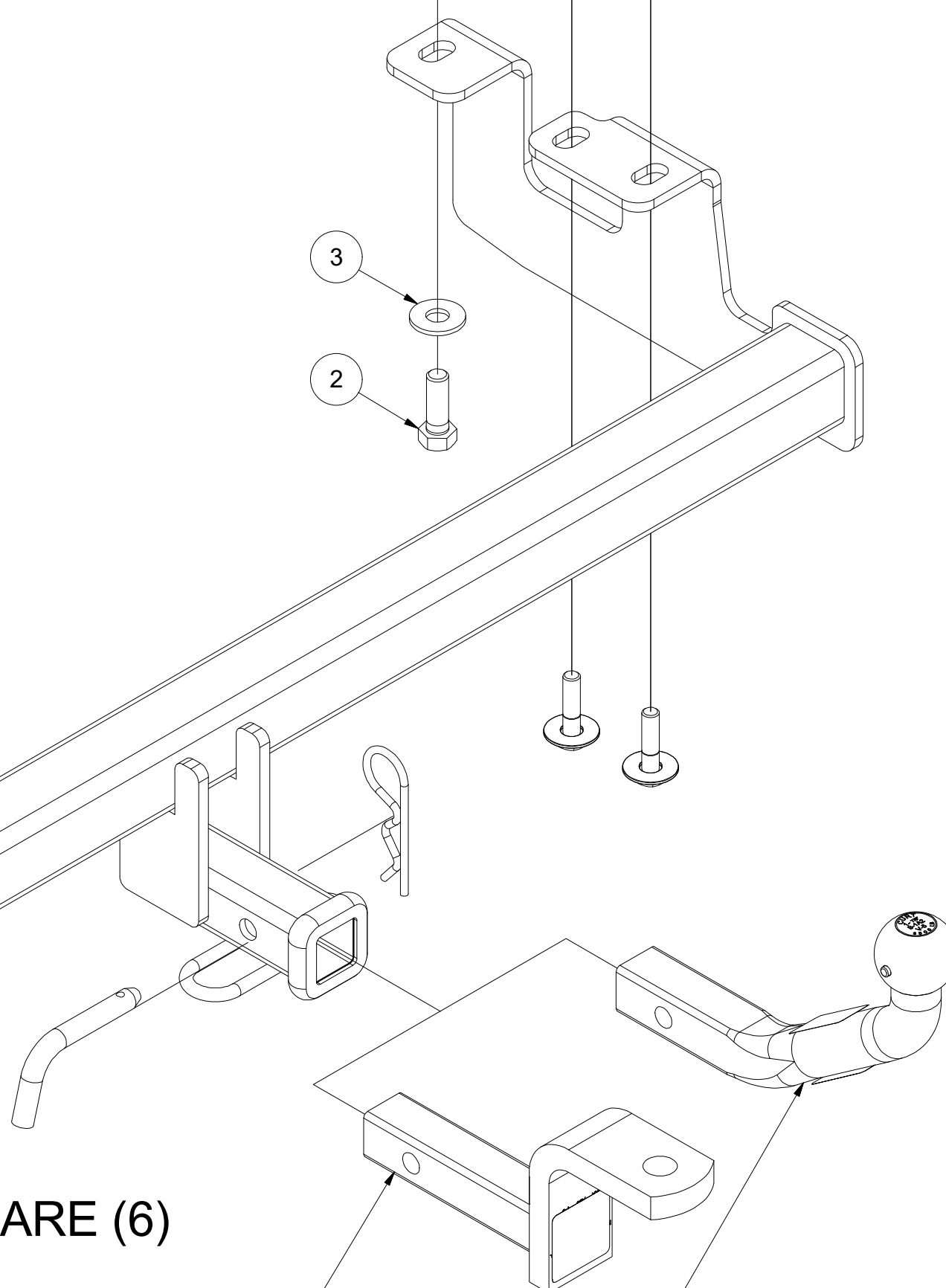
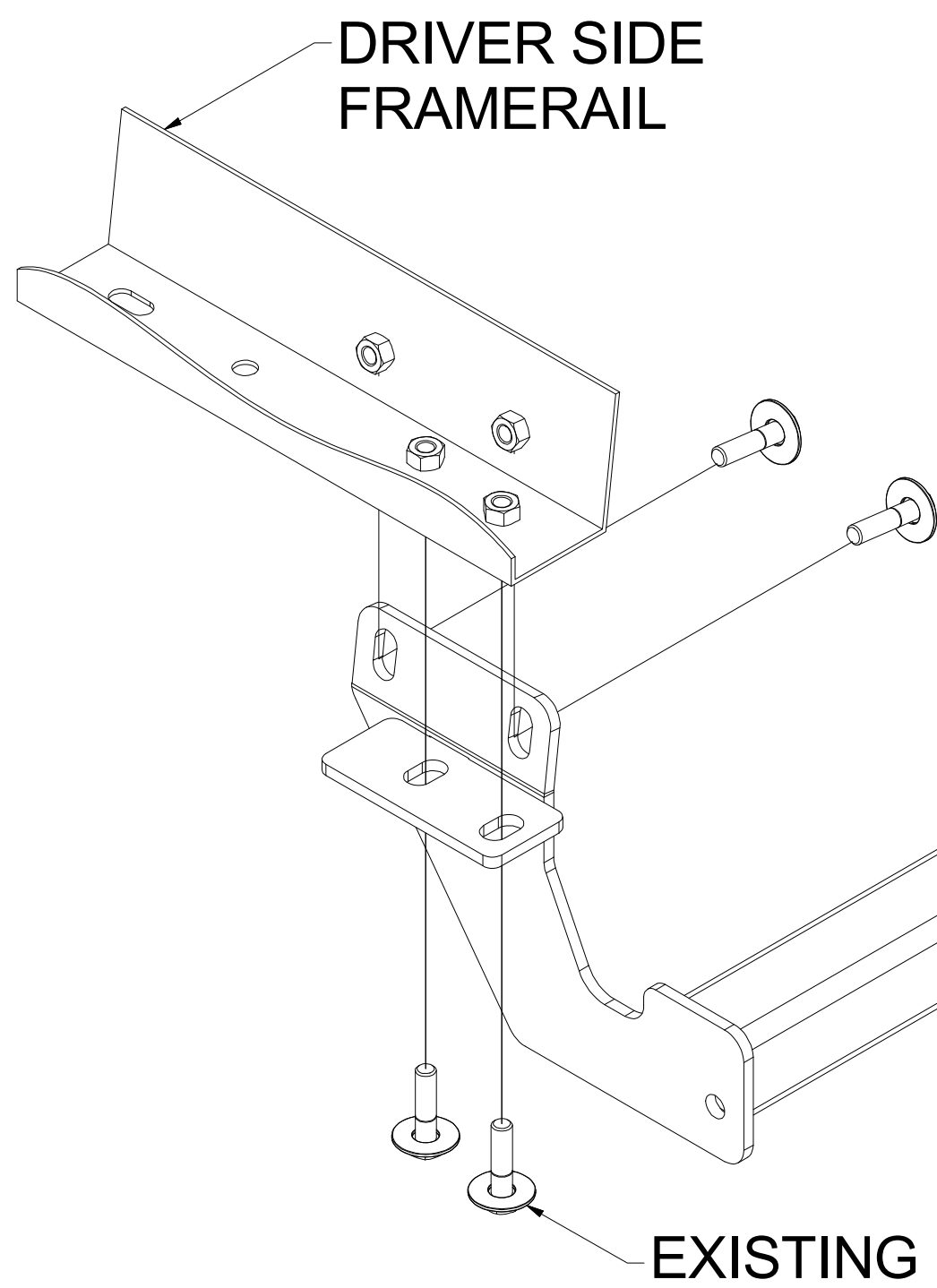
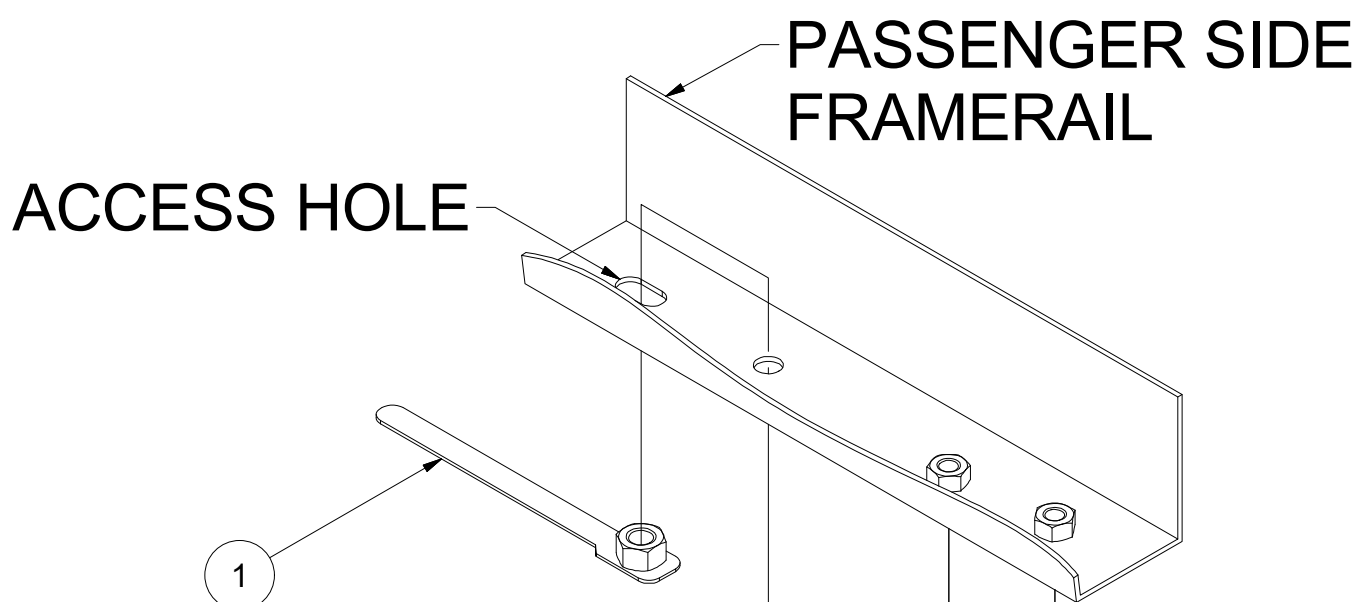
WARNING: * DO NOT EXCEED VEHICLE MANUFACTURER'S RECOMMENDED TOWING CAPACITY *****



FOR MORE INFORMATION LOG ONTO WWW.CURTMFG.COM
HAVING INSTALLATION QUESTIONS? CALL TECHNICAL SUPPORT AT 1-800-798-0813

| Parts List | | | |
|------------|-----|------------------|------------------------|
| ITEM | QTY | PART NUMBER | DESCRIPTION |
| 1 | 1 | 1/2-13 | HANDLE NUT |
| 2 | 1 | 1/2 - 13 x 1 1/2 | HEX BOLT |
| 3 | 1 | 1/2" | CONICAL TOOTHED WASHER |

| TOOLS REQUIRED | |
|-------------------------------|--|
| RATCHET | |
| 6" SOCKET EXTENSION | |
| TORQUE WRENCH | |
| 5.5mm/10mm/15mm/ 3/4" SOCKETS | |
| MASKING TAPE | |
| AVIATION SHEARS | |
| SAFETY GLASSES | |



EXISTING HARDWARE (6)

DESIGNED FOR USE WITH BALL MOUNT #45521
EURO MOUNT OPTION AVAILABLE #45571 (1 7/8" BALL) & #45572 (2" BALL)

FRONT
↑
REAR

HITCH WEIGHT: 25 LBS.

INSTALL TIME

PROFESSIONAL: 20 MINUTES

NOVICE (DIY): 45 MINUTES

INSTALL NOTES:

- LOWER EXHAUST REQUIRED
- LOWER FASCIA PANEL REMOVAL REQUIRED
- TRIMMING LOWER FASCIA PANEL OPTIONAL



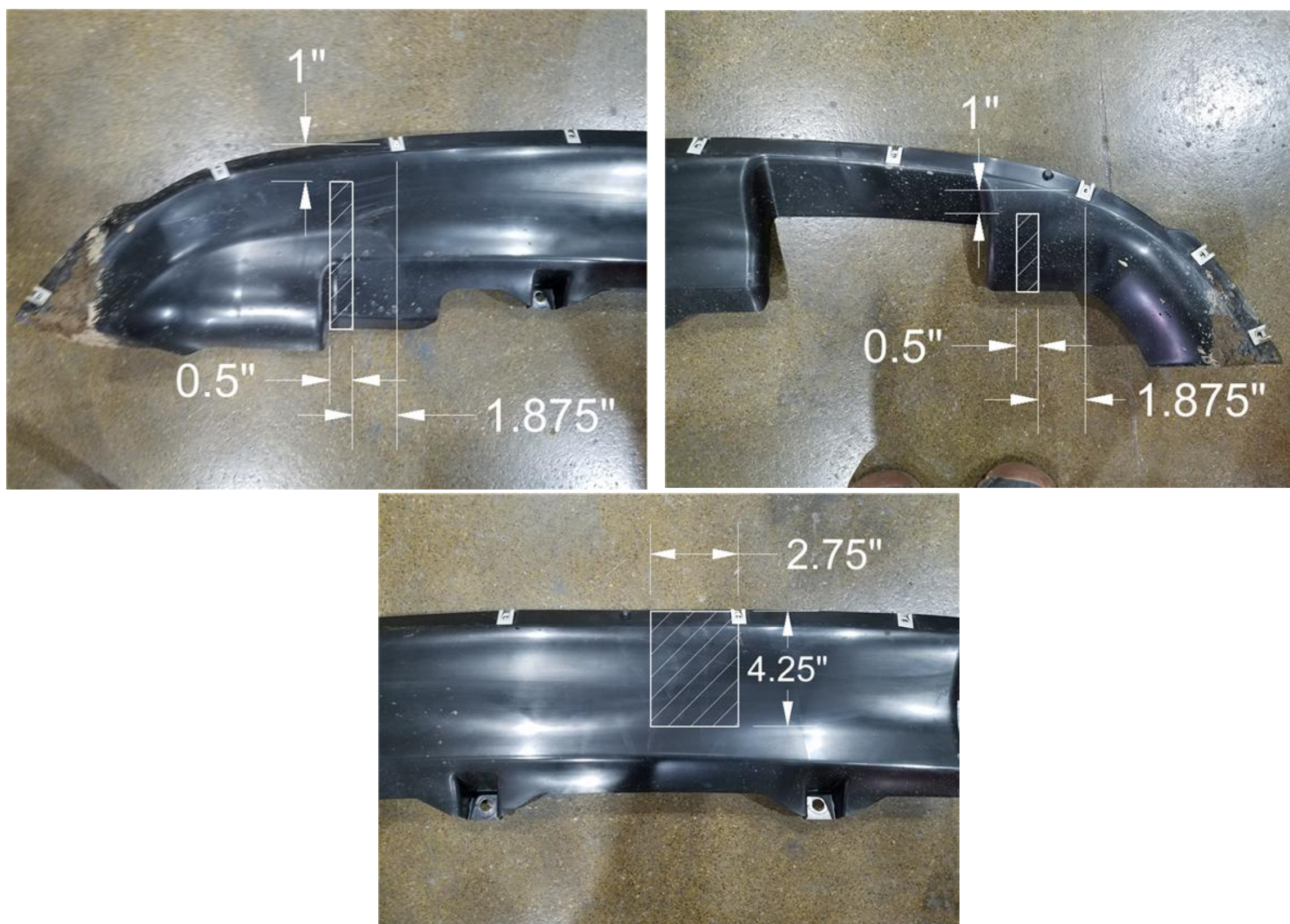
Scan for more information

PERIODICALLY CHECK THIS RECEIVER HITCH TO ENSURE THAT ALL FASTENERS ARE TIGHT AND THAT ALL STRUCTURAL COMPONENTS ARE SOUND.

CURT Manufacturing LLC., warrants this product to be free of defects in material and/or workmanship at the time of retail purchase by the original purchaser. If the product is found to be defective, CURT Manufacturing LLC., may repair or replace the product, at their option, when the product is returned, prepaid, with proof of purchase. Alteration to, misuse of, or improper installation of this product voids the warranty. CURT Manufacturing LLC.'s liability is limited to repair or replacement of products found to be defective, and specifically excludes liability for incidental or consequential loss or damage.

This product complies with safety specifications and requirements for connecting devices and towing systems of the state of New York, V.E.S.C.Regulation V-5 and SAE J684.

HAVING INSTALLATION QUESTIONS? CALL TECHNICAL SUPPORT AT 1-800-798-0813



INSTALLATION STEPS

1. For 2.0 engine models, on the lower fascia panel, locate (10) screws and (2) nuts and remove using a 5.5mm and 10mm sockets. Remove lower fascia panel and set aside for later reinstallation.
NOTE: 1.0 engine models skip to Step 2.
2. Lower exhaust by removing (2) rubber exhaust isolators. Support the exhaust during installation to prevent damage. (See Rubber Isolator Removal Diagram)
3. Remove (6) M10 bolts using a 15mm socket from the framerrails, (4) on the Driver Side and (2) on the Passenger Side. Raise hitch into position and use the (6) removed bolts to attach hitch to vehicle.
4. Feed the 1/2" handle nut through the access hole to the forwardmost attachment for the passenger sideplate. Attach the 1/2" hex bolt and conical tooth washer. Torque all M10 hardware to 45 ft-lbs. and all 1/2" hardware to 110 ft-lbs.
5. For 2.0 Engine models, either don't reinstall the lower fascia panel or trim panel to fit around hitch. To trim, mark out the (3) sections using masking tape and trim using aviation shears. All dimensions are approximate. Confirm fit prior to installation.

PERIODICALLY CHECK THIS RECEIVER HITCH TO ENSURE THAT ALL FASTENERS ARE TIGHT AND THAT ALL STRUCTURAL COMPONENTS ARE SOUND.

CURT Manufacturing LLC., warrants this product to be free of defects in material and/or workmanship at the time of retail purchase by the original purchaser. If the product is found to be defective, CURT Manufacturing LLC., may repair or replace the product, at their option, when the product is returned, prepaid, with proof of purchase. Alteration to, misuse of, or improper installation of this product voids the warranty. CURT Manufacturing LLC.'s liability is limited to repair or replacement of products found to be defective, and specifically excludes liability for incidental or consequential loss or damage.

This product complies with safety specifications and requirements for connecting devices and towing systems of the state of New York, V.E.S.C.Regulation V-5 and SAE J684.