

# INSTALLATION MANUAL

# 13068

## Level of Difficulty

Easy

Installation difficulty levels are based on time and effort involved and may vary depending on the installer level of expertise, condition of the vehicle and proper tools and equipment.

## Weight Carrying Capacity

|                            |            |
|----------------------------|------------|
| Gross trailer weight (GTW) | 3,500 lbs. |
| Tongue weight (TW)         | 350 lbs.   |

## Weight Distribution Capacity

|                          |            |
|--------------------------|------------|
| Weight distribution (WD) | 5,000 lbs. |
| WD tongue weight (WDTW)  | 500 lbs.   |

## Parts List

| Item | Qty | Description                               |
|------|-----|---|
| 1    | 4   | Hex bolt, M12-1.25 x 35mm, CL10.9         |
| 2    | 4   | Conical-toothed washer, 1/2"              |
| 3    | 1   | Serrated-flange nut, 7/16"-14             |
| 4    | 1   | Square-hole spacer, 1/4" x 7/8" x 2-1/4"  |
| 5    | 1   | Carriage bolt, 7/16"-14 x 1-1/2", grade 8 |
| 6    | 1   | Fishwire, 7/16"                           |

## Tools Required

|                      |                |
|----------------------|----------------|
| Ratchet              | Torque wrench  |
| Socket extension, 9" | Screwdriver    |
| Socket, 10mm         | Socket, 11/16" |
| Socket, 19mm         | --             |

\* For a tools reference guide visit [curtmfg.com/trailer-hitch-installation](http://curtmfg.com/trailer-hitch-installation)

## ⚠ WARNING

Never exceed the vehicle manufacturer's recommended towing capacity.

## Product Photo



## NOTICE

Visit [www.curtmfg.com](http://www.curtmfg.com) for a full-color copy of this instruction manual, as well as helpful videos, guides and much more!

Before you begin installation, read all instructions thoroughly.

Proper tools will improve the quality of installation and reduce the time required.

This installation requires drilling and the use of fishwire to install hardware. No drilling is required.

Periodic inspection of the trailer hitch should be performed to ensure all mounting hardware remains tight and structural components are secure.

To help prevent damage to the product or vehicle, refer to the specified torque specifications when securing hardware during the installation process.

## SAFETY INSTRUCTIONS

Safety glasses should be worn at all times while installing this product.

## Product Registration and Warranty

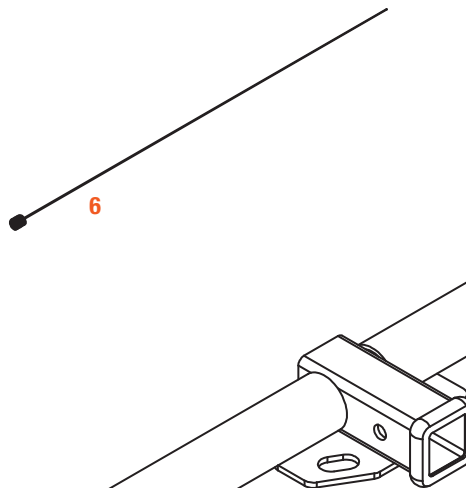
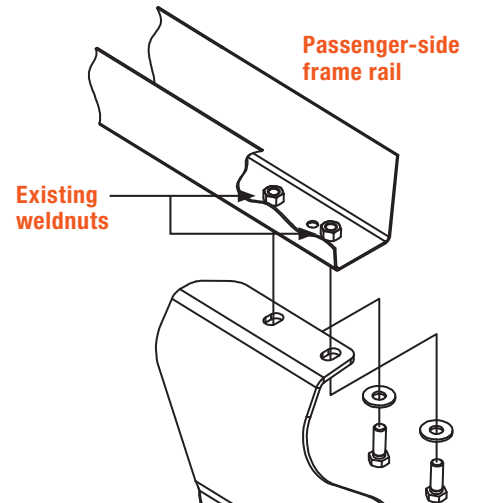
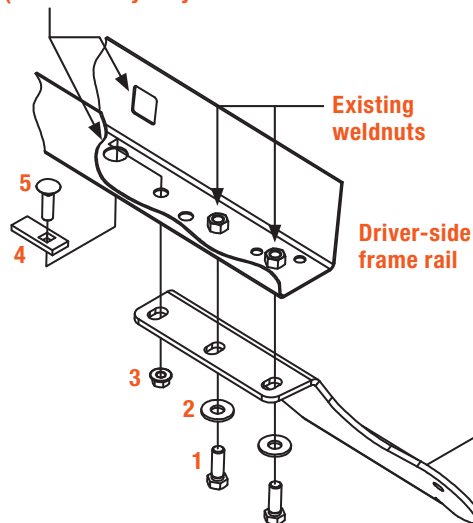
CURT stands behind our products with industry-leading warranties. To get copies of the product warranties, register your purchase or provide feedback, visit: [warranty.curtgroup.com/surveys](http://warranty.curtgroup.com/surveys)

# ASSEMBLY

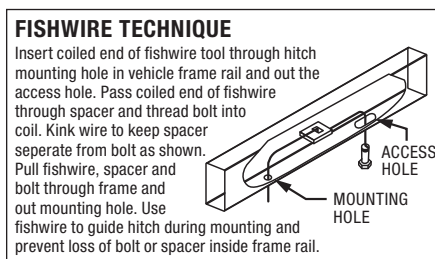
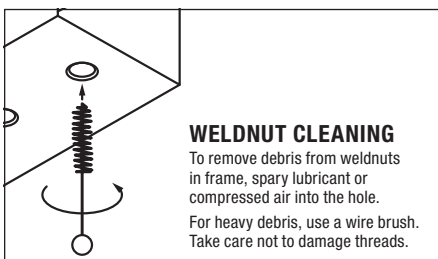
## Parts List

| Item | Qty | Description                               |
|------|-----|---|
| 1    | 4   | Hex bolt, M12-1.25 x 35mm, CL10.9         |
| 2    | 4   | Conical-toothed washer, 1/2"              |
| 3    | 1   | Serrated-flange nut, 7/16"-14             |
| 4    | 1   | Square-hole spacer, 1/4" x 7/8" x 2-1/4"  |
| 5    | 1   | Carriage bolt, 7/16"-14 x 1-1/2", grade 8 |
| 6    | 1   | Fishwire, 7/16"                           |

Existing access hole  
(location may vary)

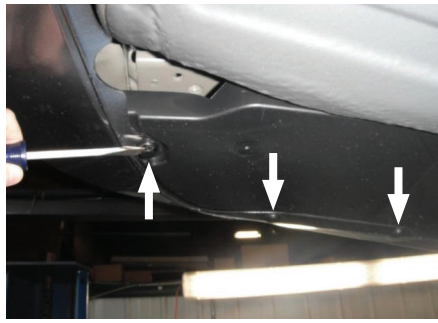


FRONT  
↔  
REAR



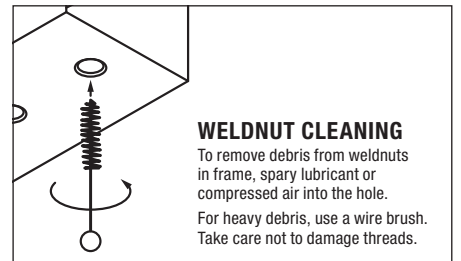
### Step 1

If present, remove five fasteners and the plastic fascia covering from the driver-side frame rail. Return fasteners and plastic shield to the vehicle owner. **Note:** You may trim the fascia and re-attach after hitch installation.



### Step 2

Locate two weldnuts near the end of each frame rail. Clean the weldnuts of debris and rust to ease hitch installation. See diagram.



### Step 3

Raise the trailer hitch into position by sliding the passenger side-plate over the exhaust first.

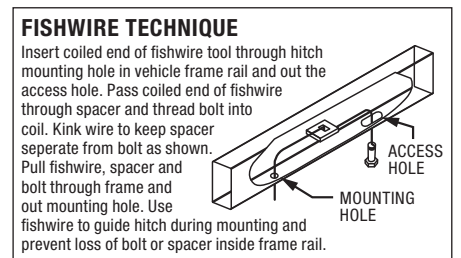
Secure the hitch into position using M12-1.25 x 35mm bolts (#1) and 1/2" conical-toothed washers (#2).



### Step 4

On the driver-side frame rail, fishwire (#6) a 7/16-14 x 1-1/2" carriage bolt (5) and square-hole spacer (#4) through the access hole and into the existing hole in the bottom of the frame rail. Secure with 7/16" serrated-flange nut (#3).

See fishwire technique diagram.



## Step 5

Torque all M12 hardware to 86 ft-lbs.

Torque all 7/16" hardware to 70 ft-lbs.



## Final Installed Image



## TOWING BASICS & SAFETY INFORMATION

For information on safely towing your trailer, visit [curtmfg.com/understanding-towing](http://curtmfg.com/understanding-towing).