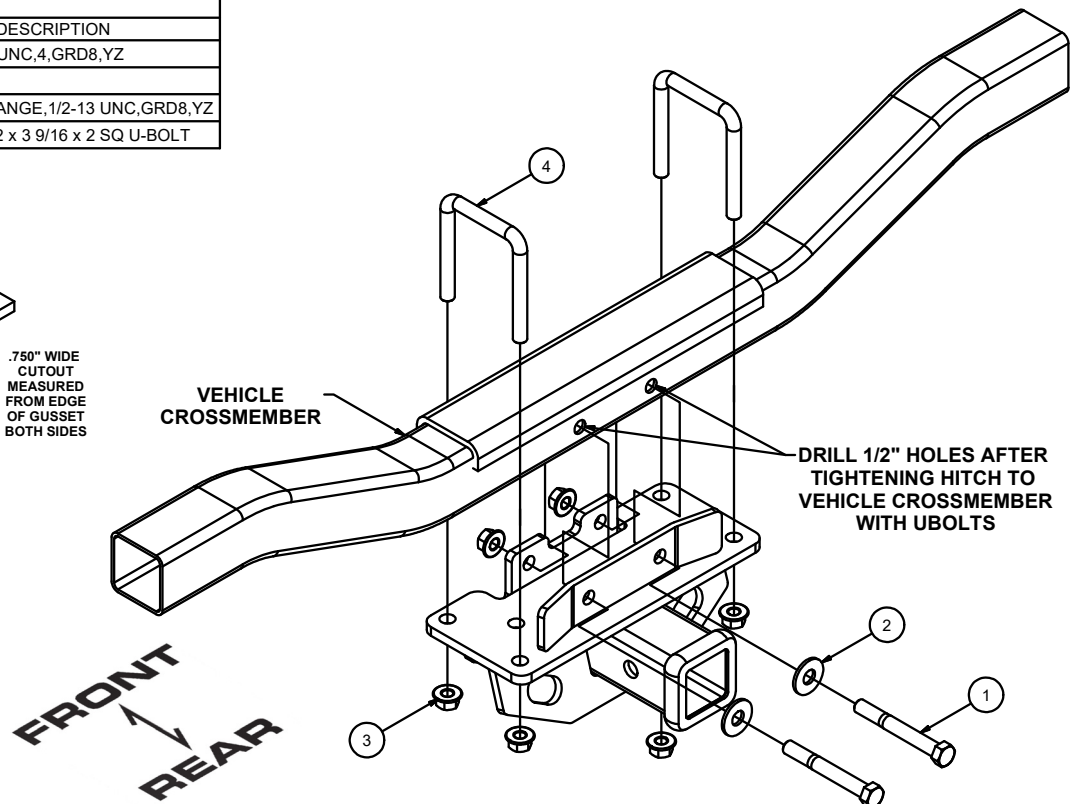
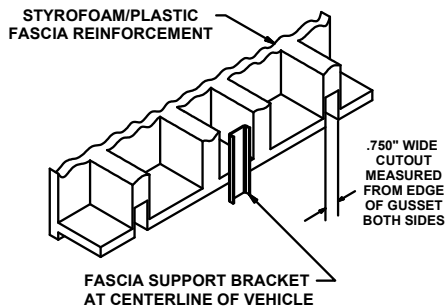


13072**CHRYSLER ASPEN & DODGE DURANGO****8/19/2020**

GROSS LOAD CAPACITY WHEN USED AS A WEIGHT CARRYING HITCH: 6,000 LBS. TRAILER WEIGHT & 600 LBS. TONGUE WEIGHT.
 GROSS LOAD CAPACITY WHEN USED AS A WEIGHT DISTRIBUTION HITCH: 9,000 LBS. TRAILER WEIGHT & 900 LBS. TONGUE WEIGHT

***** DO NOT EXCEED VEHICLE MANUFACTURER'S RECOMMENDED TOWING CAPACITY.*****

Parts List				
ITEM	QTY	PART NUMBER	DESCRIPTION	
1	2	10-10407	HHCS, 1/2-13 UNC, 4, GRD8, YZ	
2	2	1/2"	WASHER	
3	6	20-00062	NUT, SER-FLANGE, 1/2-13 UNC, GRD8, YZ	
4	2	CM-1207-UBS	1/2-13 x 4 1/32 x 3 9/16 x 2 SQ U-BOLT	



HITCH WEIGHT: 16 LBS.
 INSTALL TIME: 60 MINUTES
 INSTALL NOTES:
 - DRILLING REQUIRED
 - FASCIA REINFORCEMENT TRIMMING REQUIRED
 - FASCIA REMOVAL REQUIRED FOR DRILLING

INSTALLATION STEPS

- 1) Lower spare tire.
- 2) Lift hitch into position and center on vehicle crossmember. Mark areas on styrofoam/plastic fascia reinforcement where u-bolts will line up. Lower hitch and cut 3/4" wide cutouts at the two spots marked.
- 3) Install u-bolts over vehicle crossmember at cutouts in styrofoam/plastic.
- 4) Raise hitch back into position, attaching to u-bolts with 1/2" - 13 flange nuts. Finger tight only.
- 5) Center hitch on vehicle and **torque 1/2 - 13 u-bolts to 110 lb.-ft.** (Hitch should fit flat against bottom of vehicle.)
- 6) Remove (4) fasteners which secure fascia to fascia mounting brackets. Push fascia up to allow access to drill thru (2) holes in hitch bar into rear face of vehicle crossmember. Drill (2) holes thru hitch plate and into face of vehicle crossmember.
- 7) Install 1/2 - 13 x 4.00" hex bolts and 1/2" washers as shown and finger tight with 1/2" flange nuts.
- 8) **Torque remaining 1/2 - 13 hardware to 110 lb.-ft.**
- 9) Re-install fascia mounting fasteners.
- 10) Raise spare tire back into position.

PERIODICALLY CHECK THIS RECEIVER HITCH TO ENSURE THAT ALL FASTENERS ARE TIGHT AND THAT ALL STRUCTURAL COMPONENTS ARE SOUND.

Curt Manufacturing Inc., warrants this product to be free of defects in material and/or workmanship at the time of retail purchase by the original purchaser. If the product is found to be defective, Curt Manufacturing Inc., may repair or replace the product, at their option, when the product is returned, prepaid, with proof of purchase. Alteration to, misuse of, or improper installation of this product voids the warranty. Curt Manufacturing Inc.'s liability is limited to repair or replacement of products found to be defective, and specifically excludes liability for incidental or consequential loss or damage.