

13323

## TOYOTA TACOMA / X RUNNER

6/15/2012

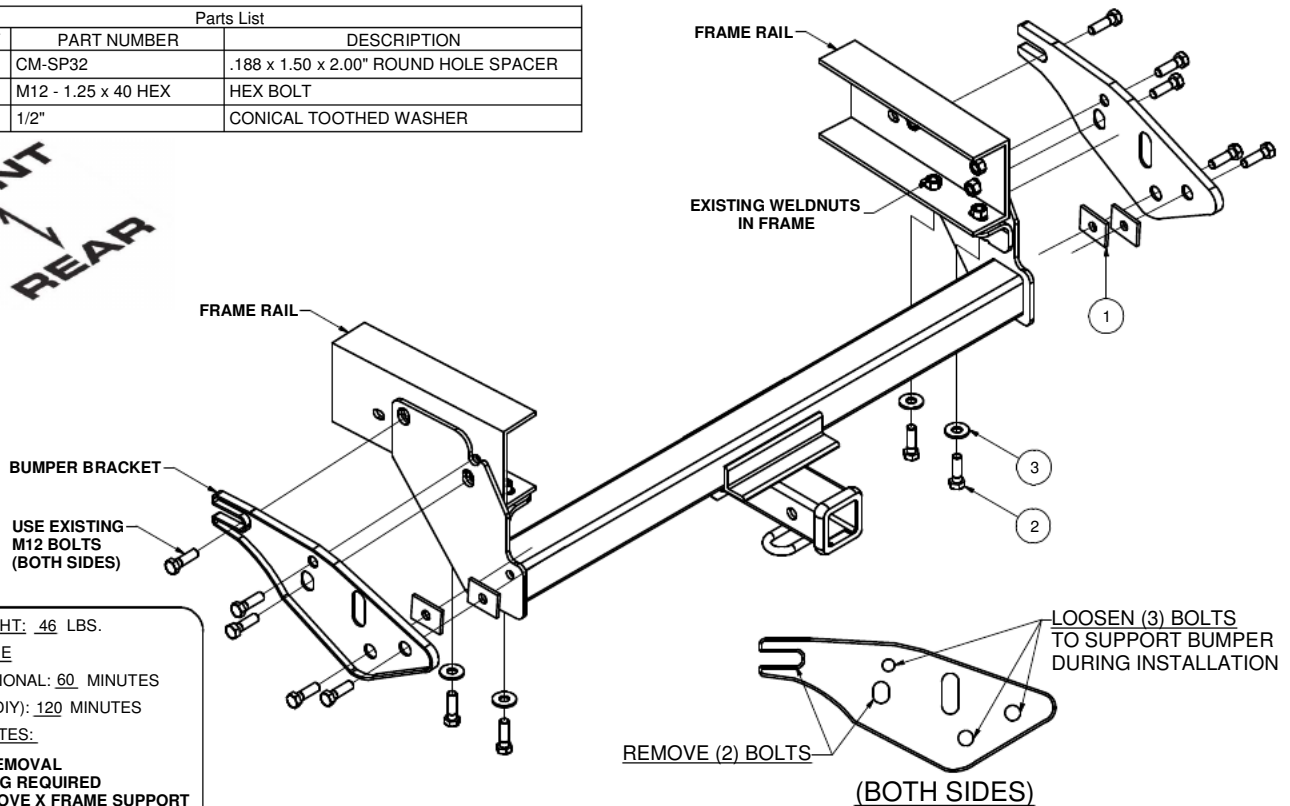
GROSS LOAD CAPACITY WHEN USED AS A WEIGHT CARRYING HITCH: 5,000 LBS. TRAILER WEIGHT & 500 LBS. TONGUE WEIGHT.  
 GROSS LOAD CAPACITY WHEN USED AS A WEIGHT DISTRIBUTION HITCH: 5,500 LBS. TRAILER WEIGHT & 550 LBS. TONGUE WEIGHT

\*\*\*DO NOT EXCEED VEHICLE MANUFACTURER'S RECOMMENDED TOWING CAPACITY.\*\*\*

HAVING INSTALLATION QUESTIONS? CALL TECHNICAL SUPPORT AT 1-877-287-8634

Parts List			
ITEM	QTY	PART NUMBER	DESCRIPTION
1	4	CM-SP32	.188 x 1.50 x 2.00" ROUND HOLE SPACER
2	4	M12 - 1.25 x 40 HEX	HEX BOLT
3	4	1/2"	CONICAL TOOTHED WASHER

FRONT  
 REAR



HITCH WEIGHT: 46 LBS.

INSTALL TIME

PROFESSIONAL: 60 MINUTES

NOVICE (DIY): 120 MINUTES

INSTALL NOTES:

- BUMPER REMOVAL
- NO DRILLING REQUIRED
- TEMP. REMOVE X FRAME SUPPORT

## INSTALLATION STEPS

\*\* If bumper alignment pin interferes with hitch installation, use a saw or cutoff wheel to remove the alignment pin from the side bracket.\*\*

CAUTION: Support the bumper to keep it from dropping down during the hitch installation.

- 1) Remove (2) hex bolts and loosen (3) hex bolts from each of the bumper brackets, as shown above.
- 2) Raise the hitch into position between the bumper brackets and the vehicle frame rails. Install the supplied bolts through the hitch and up into the frame weldnuts.
- 3) Reinstall the factory bolts through the bumper brackets, hitch plates and into the frame.
- 4) With the bumper supported remove two existing hex bolts from one side of the bumper bracket and bumper structure as shown.
- 5) Insert two (2) spacer blocks between the bumper bracket and the bumper, as shown. Reinstall the bolts through the bumper bracket, spacer and into the bumper structure. ( Both sides)
- 6) Torque supplied 12mm hardware to 86 ft-lbs, existing 12mm hardware to 86 ft-lbs and existing 10mm hardware to 48 ft-lbs.
- 7) **For X-Runner only:** Temporarily remove X frame support bracket for installation, replace after hitch is fully installed.

**PERIODICALLY CHECK THIS RECEIVER HITCH TO ENSURE THAT ALL FASTENERS ARE TIGHT AND THAT ALL STRUCTURAL COMPONENTS ARE SOUND.**

Curt Manufacturing Inc., warrants this product to be free of defects in material and/or workmanship at the time of retail purchase by the original purchaser. If the product is found to be defective, Curt Manufacturing Inc., may repair or replace the product, at their option, when the product is returned, prepaid, with proof of purchase. Alteration to, misuse of, or improper installation of this product voids the warranty. Curt Manufacturing Inc.'s liability is limited to repair or replacement of products found to be defective, and specifically excludes liability for incidental or consequential loss or damage.