

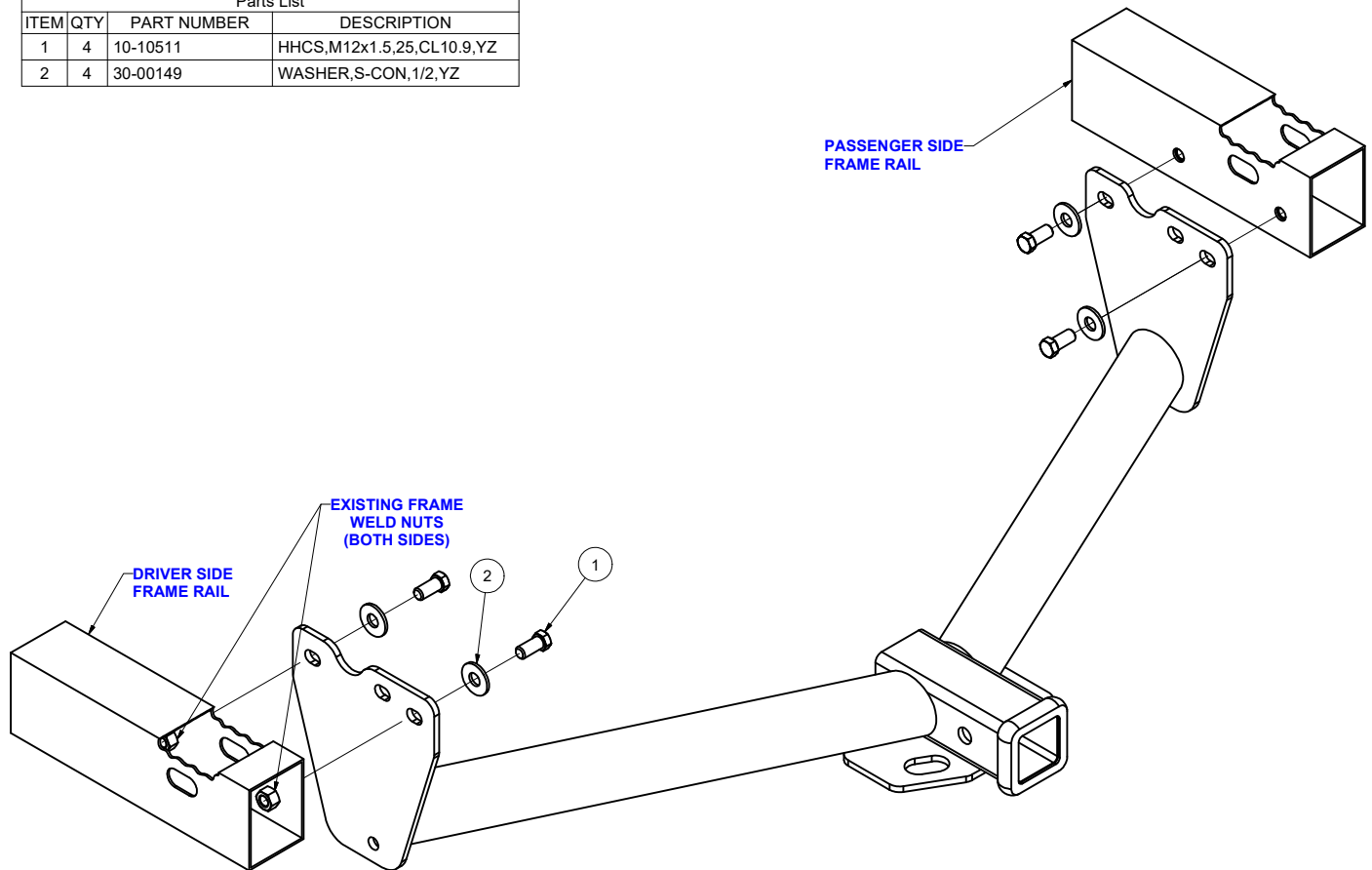
13513**KIA SORENTO**

7/31/2020

GROSS LOAD CAPACITY WHEN USED AS A WEIGHT CARRYING HITCH: 5,000 LBS. TRAILER WEIGHT & 500 LBS. TONGUE WEIGHT.
 GROSS LOAD CAPACITY WHEN USED AS A WEIGHT DISTRIBUTION HITCH: 5,000 LBS. TRAILER WEIGHT & 500 LBS. TONGUE WEIGHT

*****DO NOT EXCEED VEHICLE MANUFACTURER'S RECOMMENDED TOWING CAPACITY.*****

Parts List			
ITEM	QTY	PART NUMBER	DESCRIPTION
1	4	10-10511	HHCS,M12x1.5,25,CL10.9,YZ
2	4	30-00149	WASHER,S-CON,1/2,YZ



HITCH WEIGHT: 29 LBS.

INSTALL TIME: 20 MINUTES

INSTALL NOTES:

- NO DRILLING REQUIRED
- MAY REQUIRE EXHAUST MODIFICATION

INSTALLATION STEPS

- 1) Position the hitch frame brackets up against the inner surface of each vehicle frame rail. Align holes in hitch frame brackets with existing tapped holes in vehicle frame.
- 2) Place a 1/2" conical washer on each 12mm bolts and bolt hitch to frame.
- 3) Torque all 12mm fasteners to 83 lb-ft.

Note: If tail pipe(s) is touching the hitch cross tube (or rattles against when driving), reform the hanger bracket welded to the vehicle frame so that the tailpipe is pulled up which will give added clearance.

PERIODICALLY CHECK THIS RECEIVER HITCH TO ENSURE THAT ALL FASTENERS ARE TIGHT AND THAT ALL STRUCTURAL COMPONENTS ARE SOUND.

Curt Manufacturing Inc., warrants this product to be free of defects in material and/or workmanship at the time of retail purchase by the original purchaser. If the product is found to be defective, Curt Manufacturing Inc., may repair or replace the product, at their option, when the product is returned, prepaid, with proof of purchase. Alteration to, misuse of, or improper installation of this product voids the warranty. Curt Manufacturing Inc.'s liability is limited to repair or replacement of products found to be defective, and specifically excludes liability for incidental or consequential loss or damage.