

INSTALLATION MANUAL

13606

Level of Difficulty

Easy

Installation difficulty levels are based on time and effort involved and may vary depending on the installer level of expertise, condition of the vehicle and proper tools and equipment.

Weight Carrying Capacity

Gross trailer weight (GTW)	2,000 lbs.
Tongue weight (TW)	200 lbs.

Parts List

Item	Qty	Description
1	6	Hex bolt, M10
2	6	Conical-toothed washer, 3/8"

Tools Required

Ratchet	Socket, 17mm
Torque wrench	Socket extension, 6"

* For a tools reference guide visit curtmfg.com/trailer-hitch-installation

WARNING

Never exceed the vehicle manufacturer's recommended towing capacity.

Product Photo



NOTICE

Visit www.curtmfg.com for a full-color copy of this instruction manual, as well as helpful videos, guides and much more!

Before you begin installation, read all instructions thoroughly.

Proper tools will improve the quality of installation and reduce the time required.

This installation requires:

- Lowering of exhaust
- May require panel trimming (dependent on vehicle model / trim level)

Periodic inspection of the trailer hitch should be performed to ensure all mounting hardware remains tight and structural components are secure.

To help prevent damage to the product or vehicle, refer to the specified torque specifications when securing hardware during the installation process.

SAFETY INSTRUCTIONS

Safety glasses should be worn at all times while installing this product.

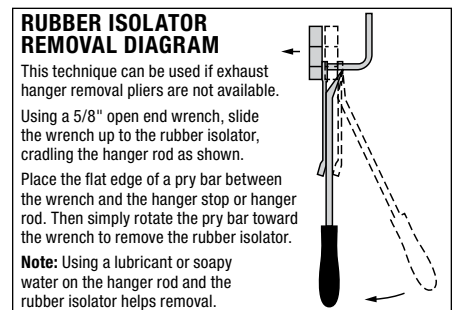
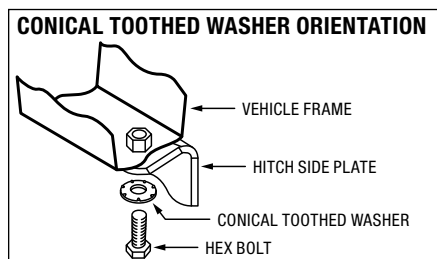
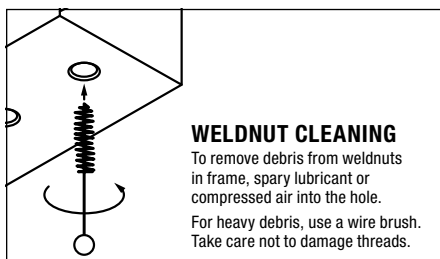
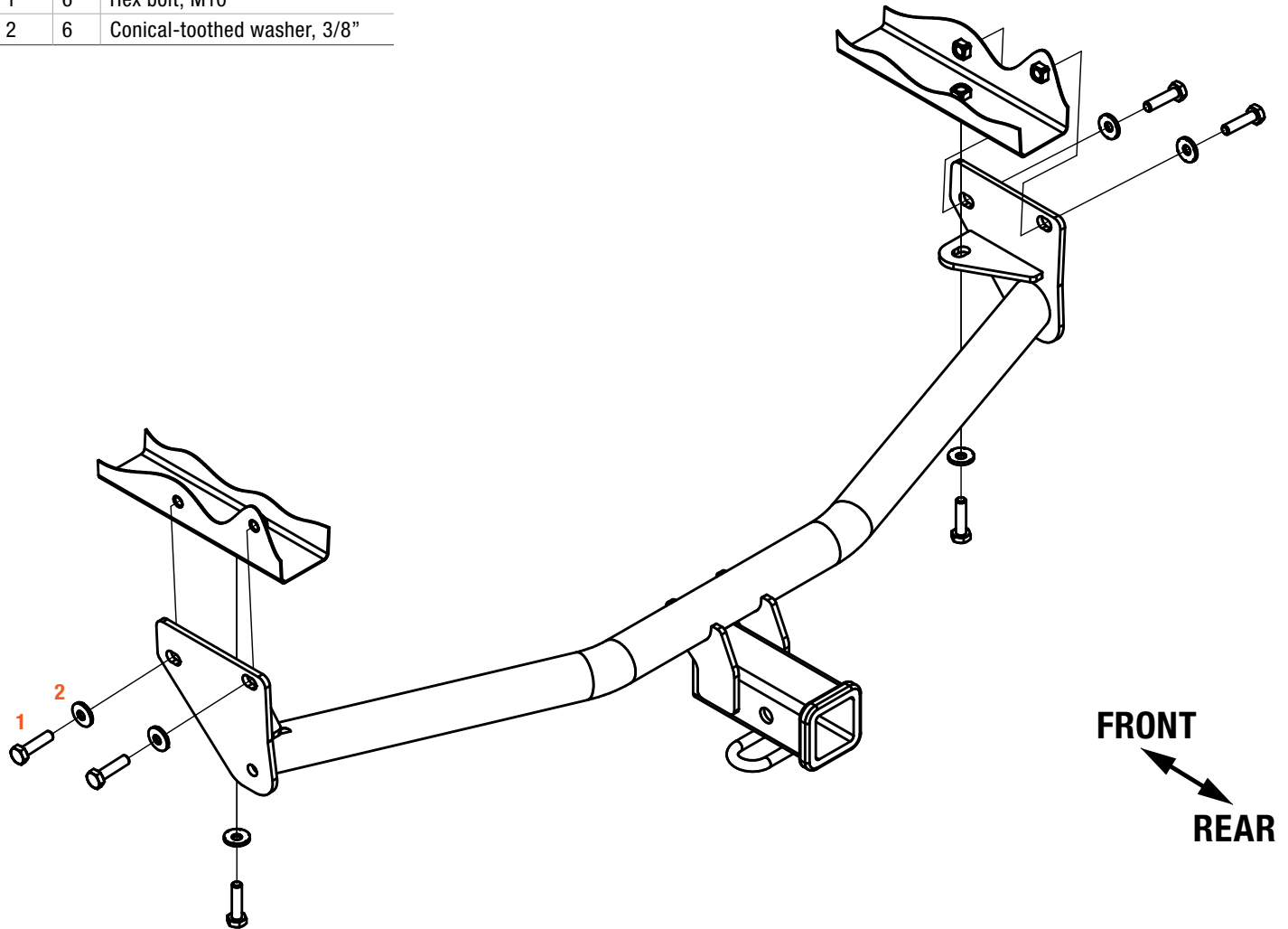
Product Registration and Warranty

CURT stands behind our products with industry-leading warranties. To get copies of the product warranties, register your purchase or provide feedback, visit: warranty.curtgroup.com/surveys

ASSEMBLY

Parts List

Item	Qty	Description
1	6	Hex bolt, M10
2	6	Conical-toothed washer, 3/8"



Step 1

Lower the exhaust by removing the two rear-most exhaust hanger rods on both sides from the two rubber isolators.

The exhaust will be reinstalled in step 3.

Note: Use a stand to support the exhaust and prevent any damage.



Step 2

Raise the hitch over the exhaust on the passenger side first, if applicable. Gently pull the bumper fascia rearward if needed, and raise the hitch into position. Install the six M10 bolts (#1) and six conical-toothed washers (#2) into the existing vehicle weld nuts using a 17mm socket.

Torque all M10 hardware to 33.4 ft-lbs. using a torque wrench, 17mm socket and extension, if needed.



Step 3

Reinstall the exhaust removed in step 1.



Final Installed Image



TOWING BASICS & SAFETY INFORMATION

For information on safely towing your trailer, visit [curtmfg.com/understanding-towing](https://www.curtmfg.com/understanding-towing).