

13842

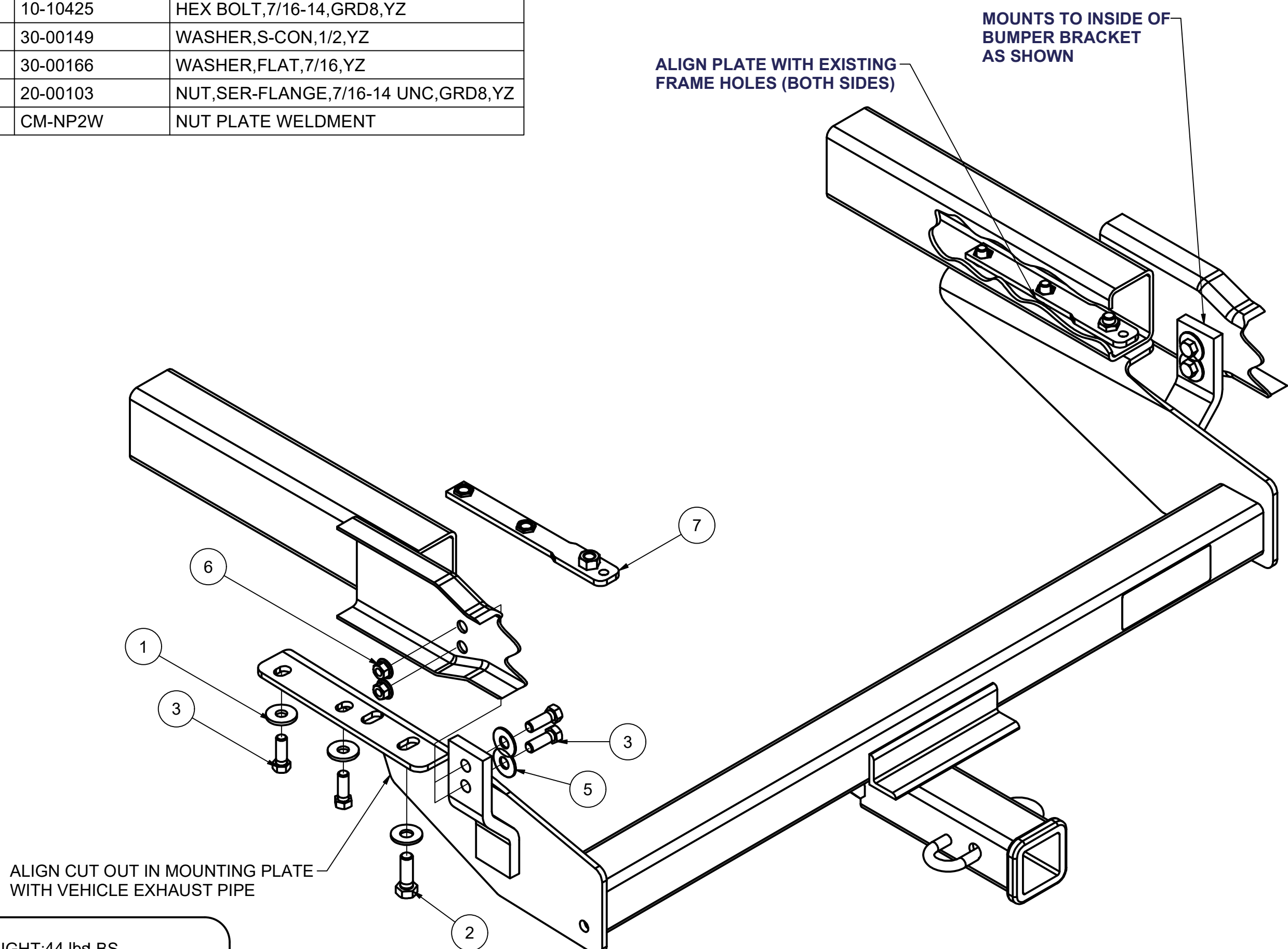
## 03-04 NISSAN FRONTIER 2 &amp; 4DR (LONG BOX)

9/29/2020

GROSS LOAD CAPACITY WHEN USED AS A WEIGHT CARRYING HITCH: 5,000 LBS. TRAILER WEIGHT &amp; 500 LBS. TONGUE WEIGHT.

**WARNING: \*\*\* DO NOT EXCEED VEHICLE MANUFACTURER'S RECOMMENDED TOWING CAPACITY \*\*\***FOR MORE INFORMATION LOG ONTO [WWW.CURTMFG.COM](http://WWW.CURTMFG.COM)  
HAVING INSTALLATION QUESTIONS? CALL TECHNICAL SUPPORT AT 1-877-287-8634

Parts List			
ITEM	QTY	PART NUMBER	DESCRIPTION
1	4	30-00163	WASHER, S-CON, 7/16, YZ
2	2	10-10334	HHCS, 1/2-13 UNC, 1-1/2, GRD8, YZ
3	8	10-10425	HEX BOLT, 7/16-14, GRD8, YZ
4	2	30-00149	WASHER, S-CON, 1/2, YZ
5	4	30-00166	WASHER, FLAT, 7/16, YZ
6	4	20-00103	NUT, SER-FLANGE, 7/16-14 UNC, GRD8, YZ
7	2	CM-NP2W	NUT PLATE WELDMENT



HITCH WEIGHT: 44 lbs. LBS.

**INSTALL TIME**

PROFESSIONAL: 30 MINUTES

NOVICE (DIY): 60 MINUTES

**INSTALL NOTES:****INSTALLATION STEPS**

- 1) Insert nut plate into frame. Align hole in frame with nut plate.
- 2) Raise the hitch into position. Loosely attach hitch to frame at mounting locations near the bumper with the 1/2" hex bolts provided. Use 7/16" hex bolts in remaining fastener locations as shown.
- 3) Torque all 7/16" fasteners to 70 lb.-ft. and all 1/2" fasteners to 110 lb.-ft.

**PERIODICALLY CHECK THIS RECEIVER HITCH TO ENSURE THAT ALL FASTENERS ARE TIGHT AND THAT ALL STRUCTURAL COMPONENTS ARE SOUND.**

Scan  
for more  
information

CURT Manufacturing LLC., warrants this product to be free of defects in material and/or workmanship at the time of retail purchase by the original purchaser. If the product is found to be defective, CURT Manufacturing LLC., may repair or replace the product, at their option, when the product is returned, prepaid, with proof of purchase. Alteration to, misuse of, or improper installation of this product voids the warranty. CURT Manufacturing LLC.'s liability is limited to repair or replacement of products found to be defective, and specifically excludes liability for incidental or consequential loss or damage.

This product complies with safety specifications and requirements for connecting devices and towing systems of the state of New York, V.E.S.C. Regulation V-5 and SAE J684.