

# INSTALLATION INSTRUCTIONS

**⚠ WARNING: NEVER EXCEED YOUR VEHICLE MANUFACTURER'S RECOMMENDED TOWING CAPACITY**

## ROOF-MOUNTED CARGO BASKET



## PARTS LIST

Item#	Qty	Description
1	1	Front basket
2	1	Rear basket
3	4	Bracket saddle
4	4	Bracket top plate
5	9	Knob
6	4	U-bolt
7	4	Machine screw
8	1	Allen wrench
9	3	Side / back plate
10	1	Fairing
11	3	Small clip, for top edge of fairing
12	3	Large clip, for bottom edge of fairing
13	4	Short bolt
14	3	Long bolt
15	3	Spacer tube
16	6	Nut

## WARNINGS

This roof basket is designed to attach to a wide variety of roof rack bars. Before using the basket, ensure that the universal brackets are securely attached to the vehicle cross bars. Periodically check to ensure all knobs and screws are tight. Remove the basket when not in use.

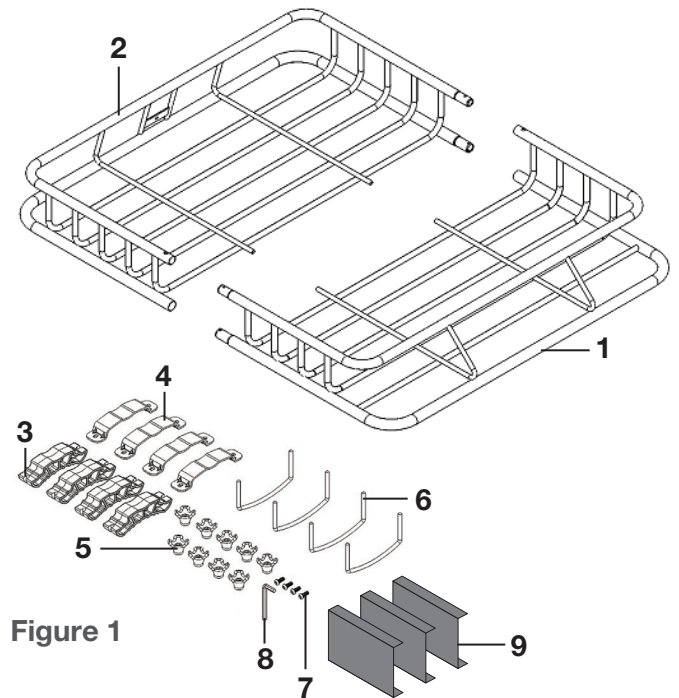


Figure 1

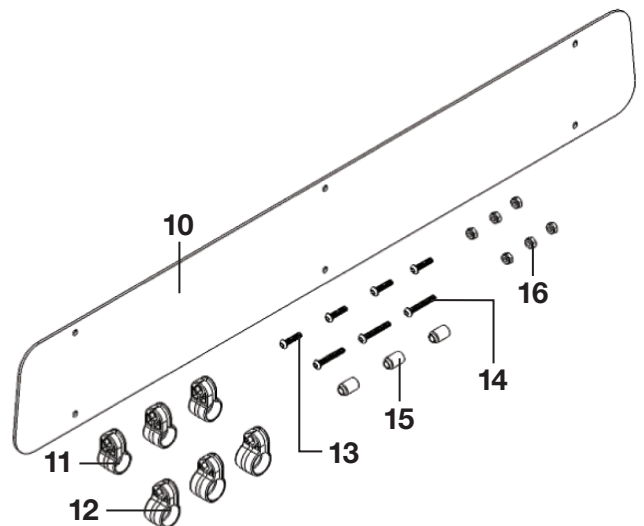


Figure 2

# ASSEMBLY & INSTALLATION

## Step 1

Remove protective plastic end caps. Slide the front (#1) and rear (#2) baskets together. Attach the side and rear plates (#9), as shown in figure 3. The rear plate is attached with one short bolt (#13). The side plates are attached with two machine screws on each side (#7). Position the basket on the roof bars of the vehicle.

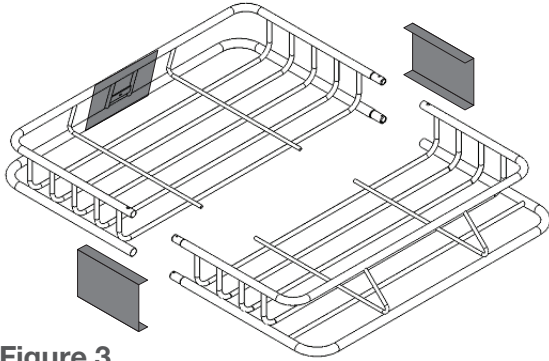


Figure 3

## Step 2

Snap the saddle (#5), onto the basket as shown in figure 4. The saddle must sit on the cross bars of the vehicle. Secure it with the bracket top plate (#4), knobs (#5) and U-bolts (#6). See figure 5.

**Note:** Always position the saddles away from the center for maximum support as shown in figure 6.

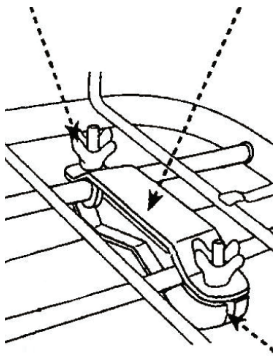


Figure 4



Figure 5

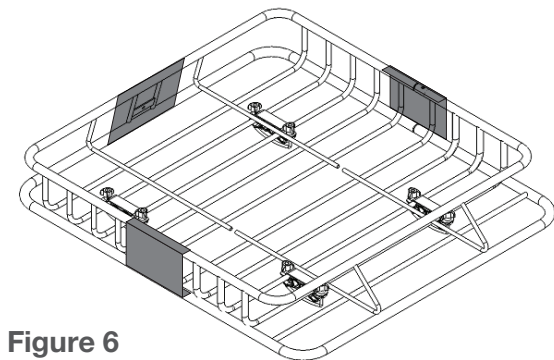


Figure 6

## Step 3

To install the fairing (#10), snap the top and bottom clips (#11, #12) onto the top and bottom tubes of the rack as shown in figure 7 and 8. Place the spacer tubes (#15) behind the fairing, in between the bottom clips and the fairing.

## Step 4

Center the fairing and secure using the provided nuts (#16) and bolts (#13 and #14). See figure 8.

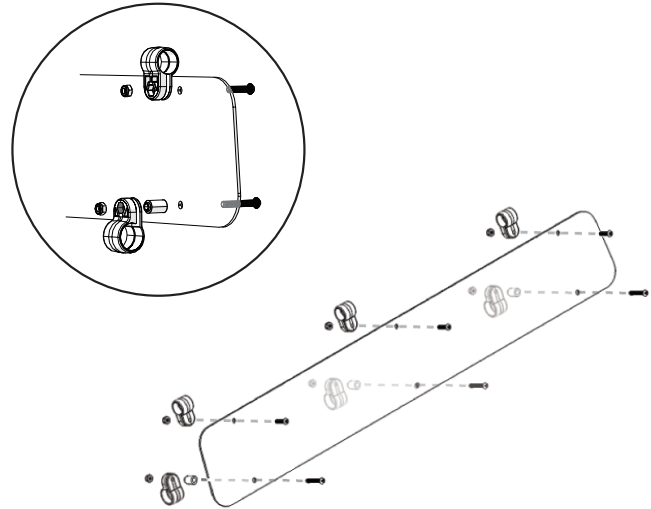


Figure 7

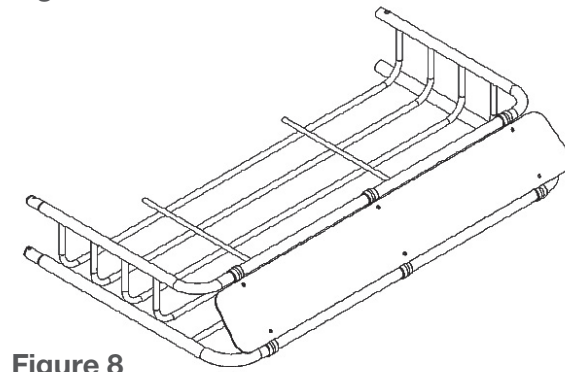


Figure 8