

# INSTALLATION MANUAL

203046

## Level of Difficulty

Easy

## Parts List

1	Driver / left sidebar
1	Passenger / right sidebar
2	Front mounting bracket
4	Center / rear mounting bracket
12	Hex bolt, 10-1.5mm x 25mm
12	Lock washer, 10mm
12	Flat washer, 10mm x 27mm x 3mm
12	Combo bolt, 8-1.25mm x 25mm

## Tools Required

Ratchet	Wrench set
Socket set	Level
Torque wrench	--

## Torque Specifications\*

Metric	Bolt	Torque
	6 mm bolt	3 ft-lbs.
	8mm bolt	7 ft-lbs.
	10mm bolt	16 ft-lbs.
	12mm bolt	28 ft-lbs.

Use above torque setting unless otherwise noted

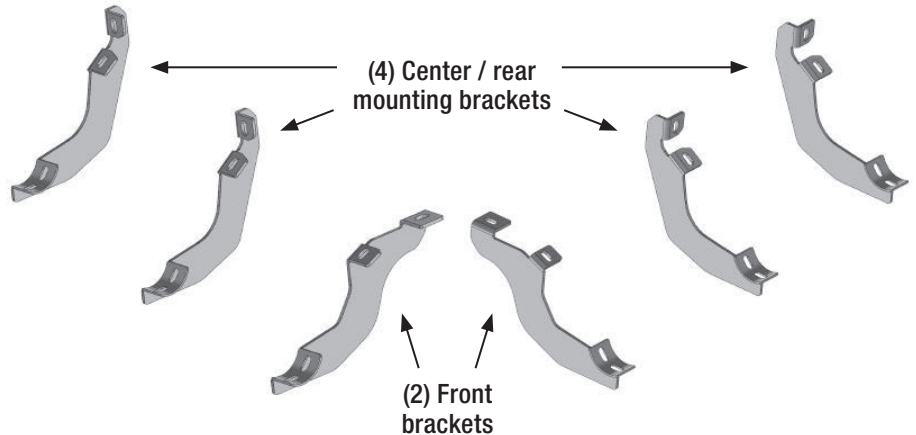
## Product Registration and Warranty

CURT Group stands behind our products with industry-leading warranties. Provide feedback and help us to improve our products by registering your purchase at: [warranty.curtgroup.com/surveys](http://warranty.curtgroup.com/surveys)

## Product Photo



## Brackets and Hardware



## NOTICE

Before you begin installation, read all instructions thoroughly.

Proper tools will improve the quality of installation and reduce the time required.

To help prevent damage to the product or vehicle, refer to the specified torque specifications when securing hardware during the installation process.

## Maintenance

To protect the product, wax after installing. Regular waxing is recommended to add a protective layer over the finish. Do not use any type of polish or wax that may contain abrasives that could damage the finish.

For polished, gloss and other smooth finishes, polish may be used to clear small scratches and scuffs on the finish.

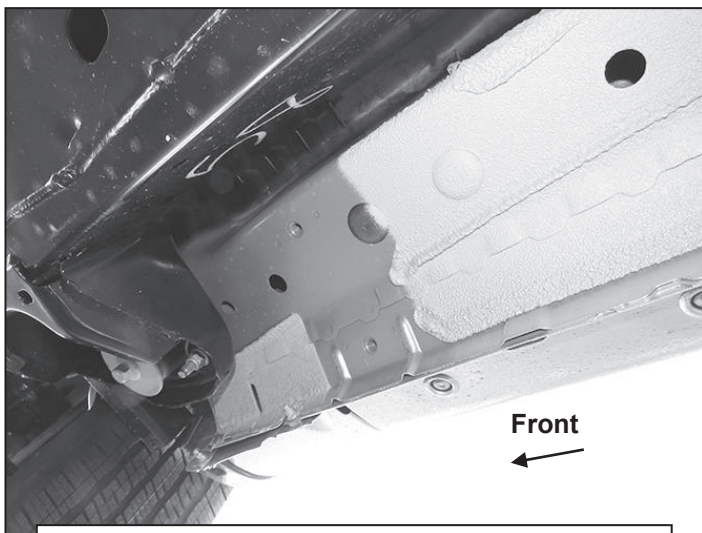
Mild automotive detergent may be used to clean the product. Do not use dish detergent, abrasive cleaners, abrasive pads, wire brushes or other similar products that may damage the finish.

## PROCEDURE:

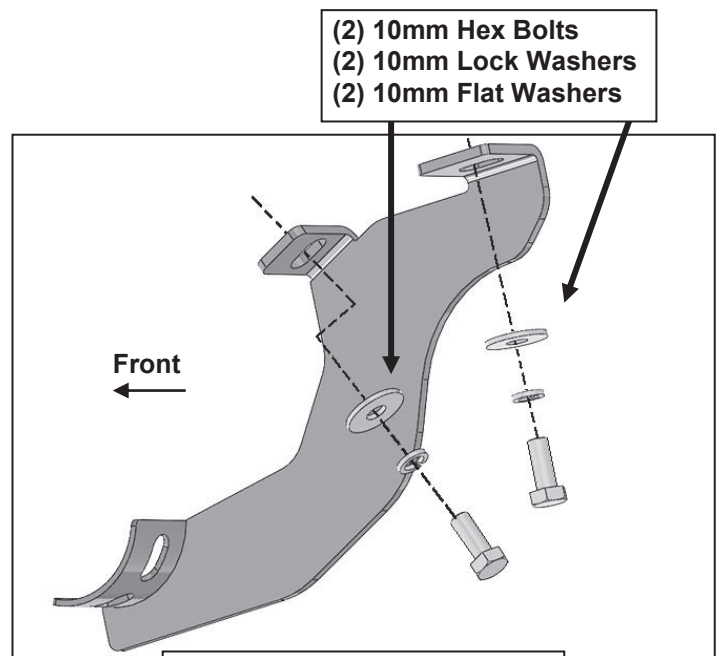
1. REMOVE CONTENTS FROM BOX. VERIFY ALL PARTS ARE PRESENT. READ INSTRUCTIONS CAREFULLY BEFORE STARTING INSTALLATION.
2. Starting from underneath the Passenger/Right side inner rocker panel, locate the threaded mounting holes on the rocker panel, **(Figure 1)**. Remove the plastic plugs covering the mounting holes. Select the Passenger/Right Front Mounting Bracket, **(Figure 2)**. Attach with (2) 10mm Hex Bolts, (2) 10mm Lock Washers and (2) 10mm Flat Washers, **(Figures 2 & 3)**. Do not tighten hardware at this time.
3. Locate the Center threaded mounting holes. Select (1) Center/Rear Mounting Bracket. Attach with (2) 10mm Hex Bolts, (2) 10mm Lock Washers and (2) 10mm Flat Washers, **(Figures 4—6)**. Do not tighten hardware at this time.
4. Repeat **Step 3** to install Rear Mounting Bracket, **(Figures 5 & 7)**.
5. Unwrap the Passenger/Right Sidebar. Attach Sidebar to the mounting brackets with (6) 8mm Combo Bolts. Do not tighten hardware at this time, **(Figures 8—11)**. **IMPORTANT:** Do not slide or rotate Sidebar on cradles, or damage to the finish may result.
6. Level and adjust Sidebar and tighten all hardware.
7. Repeat **Steps 2—6** for Driver/Left side installation.
8. Do periodic inspections to the installation to make sure that all hardware is secure and tight.

**To protect your investment,** Do not use any type of polish or wax that may contain abrasives that could damage the finish. **For Stainless Steel,** Aluminum polish may be used to polish small scratches and scuffs on the finish. Mild soap may be used to clean the Sidebar.

### Passenger/Right side Installation Pictured

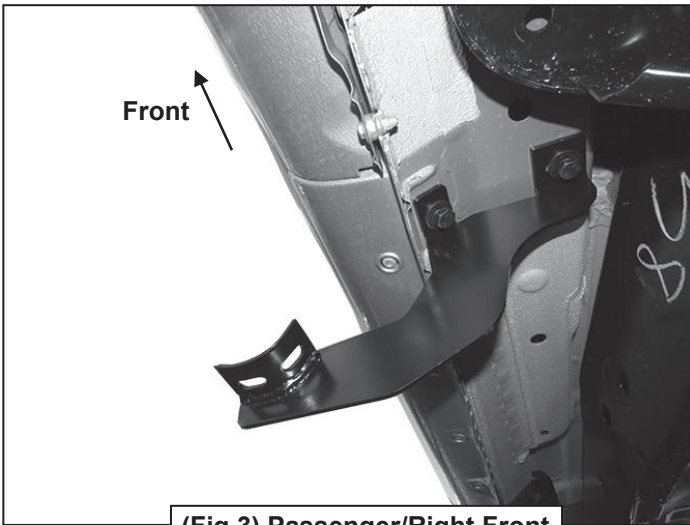


**(Fig 1) Passenger/Right front mounting Location**

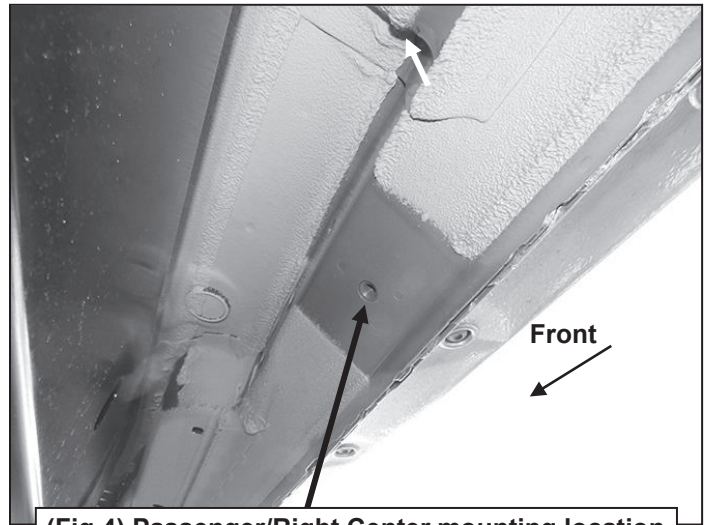


**(Fig 2) Passenger/Right Front Mounting Bracket installation**

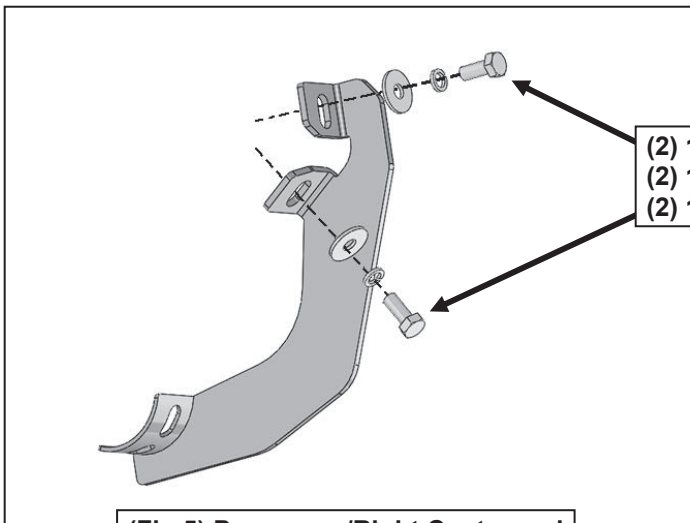
## Passenger/Right side Installation Pictured



(Fig 3) Passenger/Right Front Mounting Bracket attached

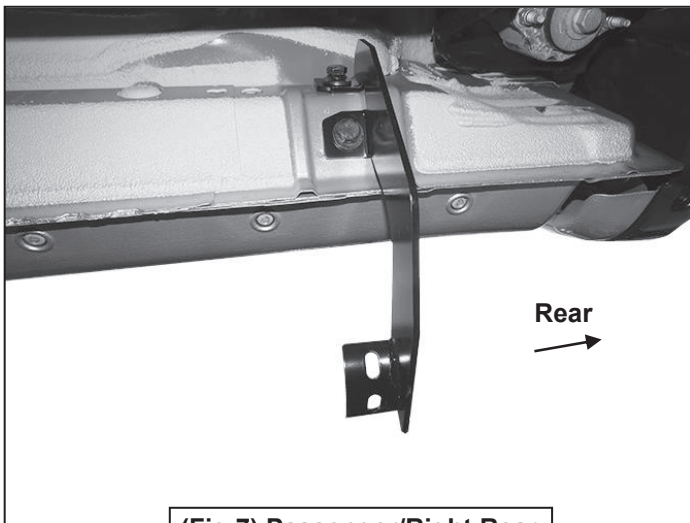


(Fig 4) Passenger/Right Center mounting location

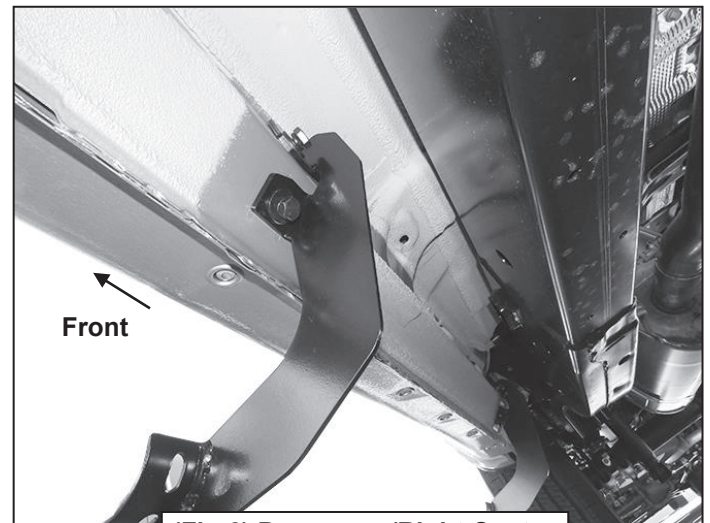


- (2) 10mm Hex Bolts
- (2) 10mm Lock Washers
- (2) 10mm Flat Washers

(Fig 5) Passenger/Right Center and Rear mounting Bracket installation

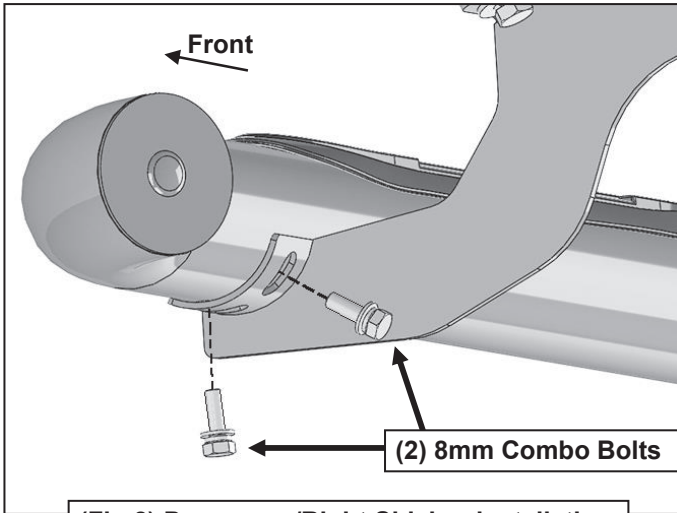


(Fig 7) Passenger/Right Rear Mounting Bracket installed

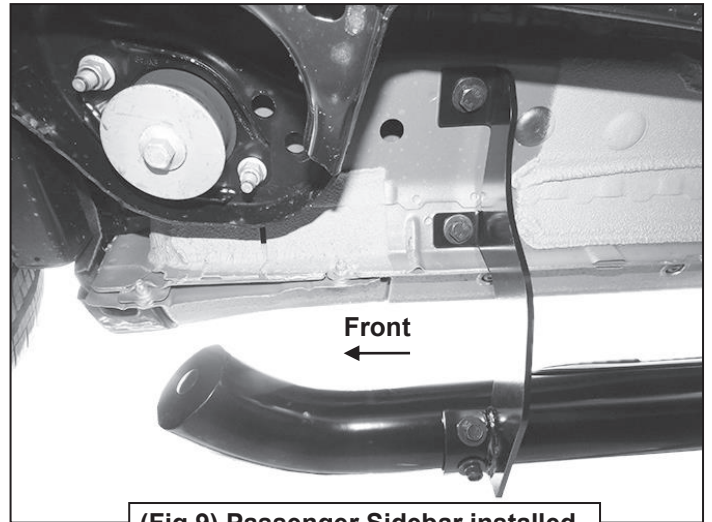


(Fig 6) Passenger/Right Center Mounting Bracket installed

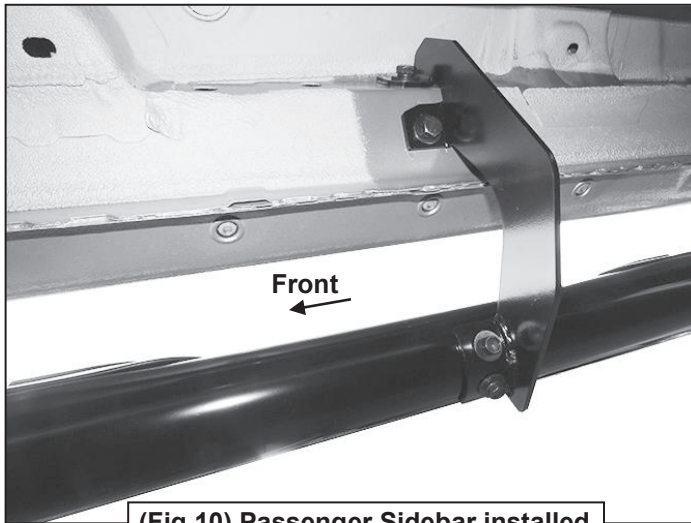
## Passenger/Right side Installation Pictured



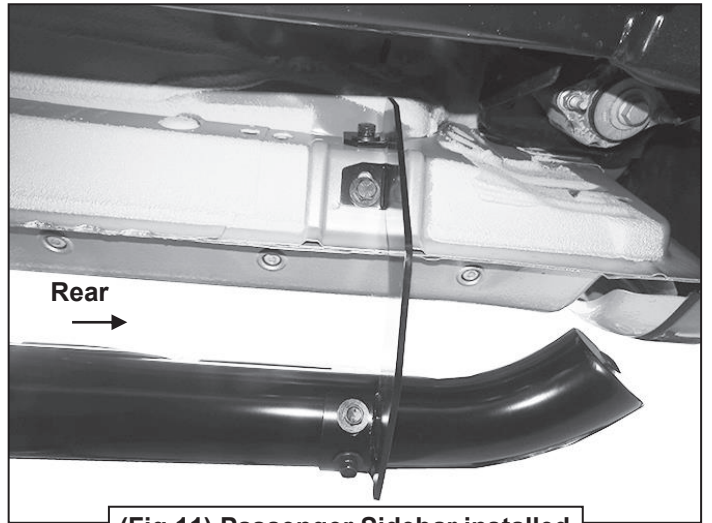
(Fig 8) Passenger/Right Sidebar installation



(Fig 9) Passenger Sidebar installed on Front Mounting Bracket



(Fig 10) Passenger Sidebar installed on Center Mounting Bracket



(Fig 11) Passenger Sidebar installed on Rear Mounting Bracket