

INSTALLATION INSTRUCTIONS

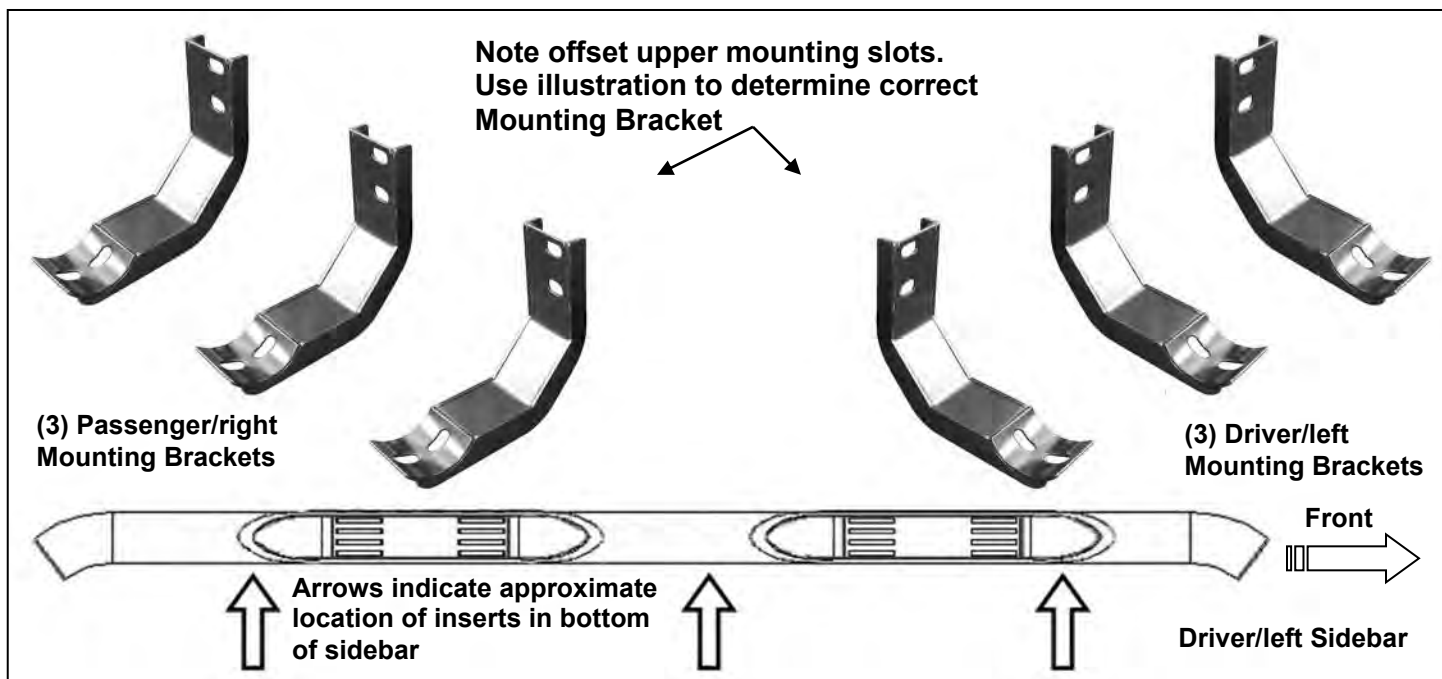
3" SIDEBAR

05-17 NISSAN FRONTIER CREW CAB

05-12 SUZUKI EQUATOR CREW CAB

PARTS LIST:

1	Driver/Left Side Bar	12	8-1.25mm x 25mm Combo Bolts
1	Passenger/Right Side Bar	12	8 x 24mm OD x 2mm Flat Washers
3	Driver/Left Side Mounting Brackets	12	8mm Lock Washers
3	Passenger/Right Side Mounting Brackets	12	8-1.25mm Hex Nuts



PROCEDURE:

- 1. REMOVE CONTENTS FROM BOX. VERIFY ALL PARTS ARE PRESENT. READ INSTRUCTIONS CAREFULLY.**
- Remove the existing factory running boards or side steps, if equipped, by removing the hex nuts holding the mounting brackets to the inside of the body.
- Select (1) the driver side Mounting Bracket, **(Figure 1)**. Attach the Bracket to the front mounting location, with the included (2) 8mm Flat Washers, (2) 8mm Lock Washers and (2) 8mm Hex Nuts, **(Figure 2)**. Do not tighten at this time. **NOTE:** Slots in the top of the mounting brackets are off set. Use the illustration above to select the proper Mounting Bracket.
- Repeat **Step 3** for the driver side center and rear Mounting Bracket installation, **(Figure 3)**.
- Carefully place the driver Sidebar onto the (3) Mounting Brackets. Attach the Sidebar to the Brackets with the included (6) 8 x 25mm Combo Bolts. Do not tighten at this time.
- Level and adjust the Sidebars as desired and tighten all hardware.
- Repeat **Steps 2—6** for passenger Sidebar installation.
- Do periodic inspections to the installation to make sure that all hardware is secure and tight.

To protect your investment, wax this product after installing. Regular waxing is recommended to add a protective layer over the finish. Do not use any type of polish or wax that may contain abrasives that could damage the finish.

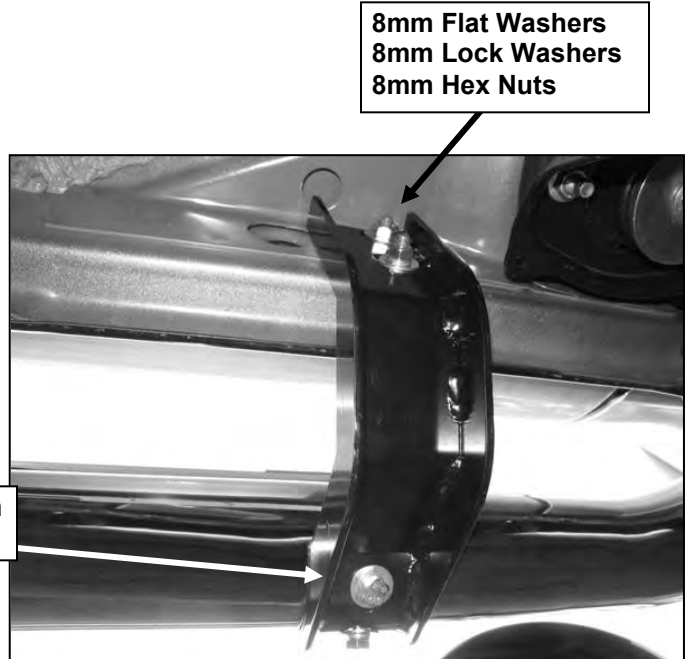
For stainless steel: Aluminum polish may be used to polish small scratches and scuffs on the finish. Mild soap may be used also to clean the Sidebar.

For gloss black finishes: Mild soap may be used to clean the Sidebar.

Driver Side Installation Pictured



(Fig 1) Driver/left Mounting Bracket



8mm Flat Washers
8mm Lock Washers
8mm Hex Nuts

(2) 8mm x 25mm
Combo Bolts

(Fig 2) Driver/left front Bracket pictured

8mm Flat Washers
8mm Lock Washers
8mm Hex Nuts

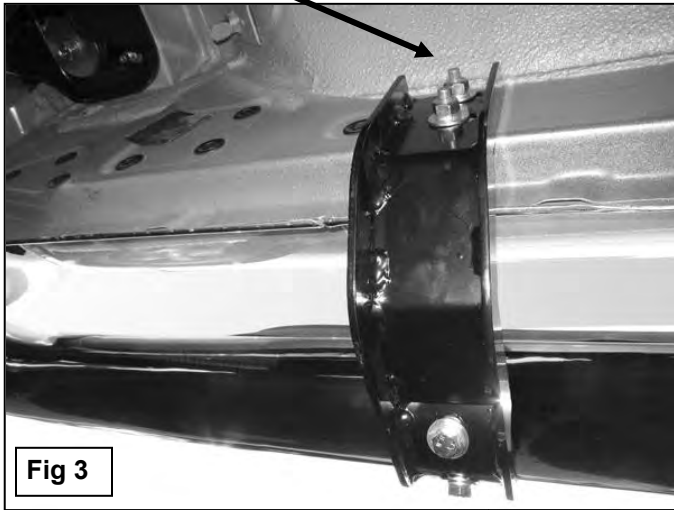


Fig 3

8mm x 25mm
Combo Bolts