

INSTALLATION MANUAL

213045

Level of Difficulty

Easy

Parts List

| | |
|----|-------------------------------|
| 1 | Driver / left side bar |
| 1 | Passenger / right side bar |
| 4 | Side bar brackets (universal) |
| 12 | Plastic washers, M8 |
| 8 | Hex bolts, 8-1.25mm x 25mm |
| 20 | Washers, M8 x 24mm OD x 2mm |
| 8 | Lock washers, M8 |
| 12 | Nylock lock nuts, 8-1.25mm |

Tools Required

| | |
|------------|---------------------|
| Ratchet | Open-end wrench set |
| Socket set | |

Torque Specifications

| | Metric | SAE | |
|--|------------|-----|------------|
| | M6 bolt | | 3 ft-lbs. |
| | M8 bolt | | 7 ft-lbs. |
| | M10 bolt | | 16 ft-lbs. |
| | M12 bolt | | 28 ft-lbs. |
| | 1/4" bolt | | 3 ft-lbs. |
| | 5/16" bolt | | 7 ft-lbs. |
| | 3/8" bolt | | 16 ft-lbs. |
| | 7/16" bolt | | 20 ft-lbs. |
| | 1/2" bolt | | 28 ft-lbs. |

Use above torque setting unless otherwise noted

Product Photo



Notes and Maintenance

Before you begin installation, read all instructions thoroughly.

Proper tools will improve the quality of installation and reduce the time required.

To protect the product, wax after installing. Regular waxing is recommended to add a protective layer over the finish. Do not use any type of polish or wax that may contain abrasives that could damage the finish.

For polished, gloss and other smooth finishes, polish may be used to clear small scratches and scuffs on the finish.

Mild automotive detergent may be used to clean the product. Do not use dish detergent, abrasive cleaners, abrasive pads, wire brushes or other similar products that may damage the finish.

Refer to the table to the left when securing hardware during the installation process to help prevent damage to the product or vehicle.

PROCEDURE:

REMOVE CONTENTS FROM BOX. VERIFY ALL PARTS ARE PRESENT. READ INSTRUCTIONS CAREFULLY BEFORE STARTING INSTALLATION. ASSISTANCE IS RECOMMENDED.

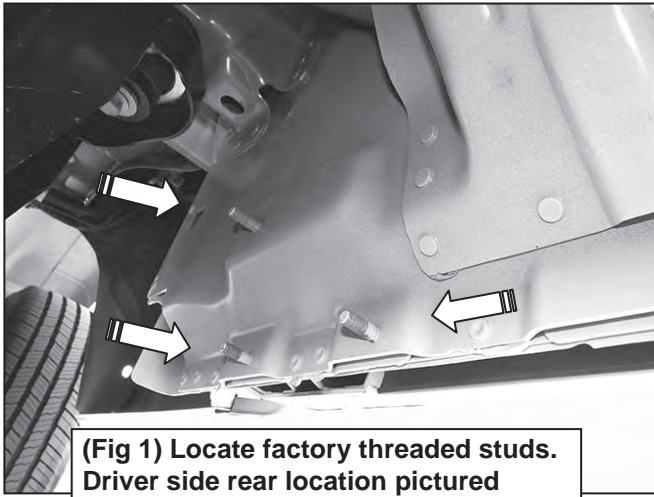
1. Start the installation under the driver side of the vehicle. Locate the front and rear factory running board mounting locations along the inner side of the body, **(Figure 1)**.
2. Slide (1) Plastic Washer over each factory mounting stud in the body panel, **(Figures 2 & 3)**.
IMPORTANT: The Plastic Washers are designed to prevent corrosion between the aluminum body panel and the steel mounting brackets. **Do not install the Brackets without the Plastic Washers.**
3. Select (1) Mounting Bracket. **NOTE:** All (4) Brackets are universal and will fit left or right side. Attach the Mounting Bracket to the (3) factory studs with (3) 8mm Flat Washers and (3) 8mm Nylon Lock Nuts, **(Figure 4)**. Snug but do not fully tighten the hardware.
4. Repeat **Steps 1—3** to install the rear driver side Bracket.
5. Select the driver/left Sidebar. Carefully position the Sidebar onto the (3) Mounting Brackets.
IMPORTANT: Do not slide, (front to back or rotate), the Sidebar on the Brackets or damage to the finish on the Sidebar may result. Attach the Sidebar to the Mounting Brackets with (4) 8mm x 25mm Hex Bolts, (4) 8mm Lock Washers and (4) 8mm Flat Washers, **(Figure 5)**. Do not tighten hardware.
6. Level and adjust the Sidebar and tighten all hardware.
7. Repeat **Steps 1—6** to install the passenger/right Sidebar.
8. Do periodic inspections to the installation to make sure that all hardware is secure and tight.

To protect your investment, wax this product after installing. Regular waxing is recommended to add a protective layer over the finish. Do not use any type of polish or wax that may contain abrasives that could damage the finish.

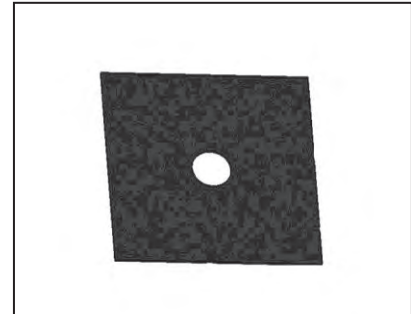
For stainless steel: Aluminum polish may be used to polish small scratches and scuffs on the finish. Mild soap may be used also to clean the Sidebar.

For gloss black finishes: Mild soap may be used to clean the Sidebar.

Driver/left Side Installation Pictured



(Fig 1) Locate factory threaded studs. Driver side rear location pictured



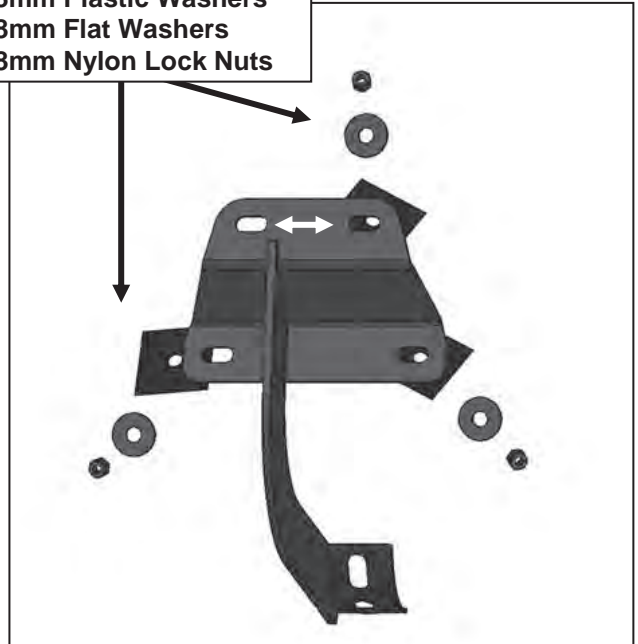
(Fig 2) Plastic Insulation Washer



(3) Plastic Insulation Washers

(Fig 3) Thread Plastic Washers onto all mounting studs. Driver side front pictured

**(3) 8mm Plastic Washers
(3) 8mm Flat Washers
(3) 8mm Nylon Lock Nuts**



(Fig 4) Typical Bracket installation illustrated

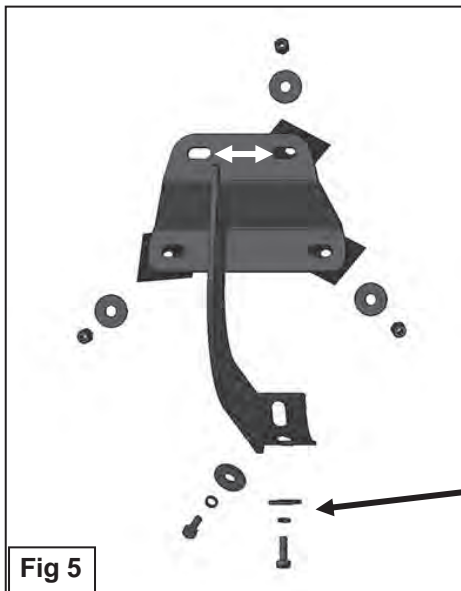


Fig 5

**Attach Sidebar to each Bracket with:
(2) 8mm x 25mm Hex Bolts
(2) 8mm Lock Washers
(2) 8mm Flat Washers**