

# INSTALLATION INSTRUCTIONS AND PARTS LIST

## VEHICLE APPLICATION:

**MODEL 250930 (12" X 20") FRONT MUDGUARDS**  
**MODEL 250932 (12" X 23") FRONT MUDGUARDS**  
2009 AND NEWER DODGE RAM 1500 SERIES TRUCKS  
2010 AND NEWER DODGE RAM HD SERIES TRUCKS

1. READ INSTRUCTIONS COMPLETELY AND CHECK TO MAKE SURE THAT ALL REQUIRED PARTS (LISTED ON SERVICE PARTS LIST) ARE ON HAND BEFORE STARTING THE INSTALLATION.

### **MOUNTING 250930 OR 250932:** (SEE SHEET #2)

2. INSTALL THE MUDGUARDS AS FOLLOWS:
  - 2.1. ATTACH THE METAL ZEE CLIP (ITEM #4) TO THE UPPER INBOARD HOLE IN THE MUDGUARDS AS SHOWN USING THE #10-24 X 3/4" TRUSS HEAD SCREWS (ITEM #5), 1/4" FLAT WASHERS (ITEM #7) AND 10-24 SERRATED FLANGE NUTS (ITEM #6). FINGER TIGHTEN ONLY.
  - 2.2. REMOVE THE (2) FACTORY WHEEL WELL LINER RETAINER SCREWS FROM THE METTALIC FLANGE OF THE WHEEL WELL. (THESE FASTENERS ARE **NOT** REUSED).
  - 2.3. INSERT (2) #8 METAL U-CLIPS (ITEM #12) INTO THE METTALIC WHEEL WHELL FLANGE OVER THE EXISTING HOLES.
  - 2.4. POSITION THE RUBBER SPACER (ITEM #3) BETWEEN THE MUDGUARD AND THE WHEEL WELL FLANGE AND INSTALL (2) 8-15 X 1-3/4" SCREW (ITEM #8) AND #8 FLAT WASHER (ITEM #9) THRU THE **SECOND** AND **FORTH** HOLE DOWN FROM THE TOP IN THE MUDGUARD AND INTO THE METAL U CLIPS. (LEAVE THESE FASTENERS FINGER TIGHT).
  - 2.5. MOVE THE MUDGUARD IN OR OUT AS DESIRED. LEVEL THE MUDGUARD (IT SHOULD BE IN LINE WITH THE FRONT TIRE AND MATCH THE REAR MUDGUARD) AND THEN TIGHTEN ALL THE FASTENERS.
  - 2.6. USING THE HOLE ON THE TOP OF THE ZEE CLIP AS A PILOT, DRILL A 5/16" DIA HOLE THRU THE URETHANE WHEEL WELL LINER AND FASTEN WITH 5/16-18 X .75 BUTTON HEAD SCREWS (ITEM #10), AND 5/16 -18 SERRATED FLANGE NUTS (ITEM #11). TIGHTEN FASTENERS.
  - 2.7. REPEAT FOR THE OPPOSITE SIDE.

NOTE: THE 8-15 X 1-3/4" SCREWS (ITEM #8) ARE EXTRA LONG TO ACCOMMODATE THE VEHICLES WITH FENDER FLARES.



(A LUPERNE Company)

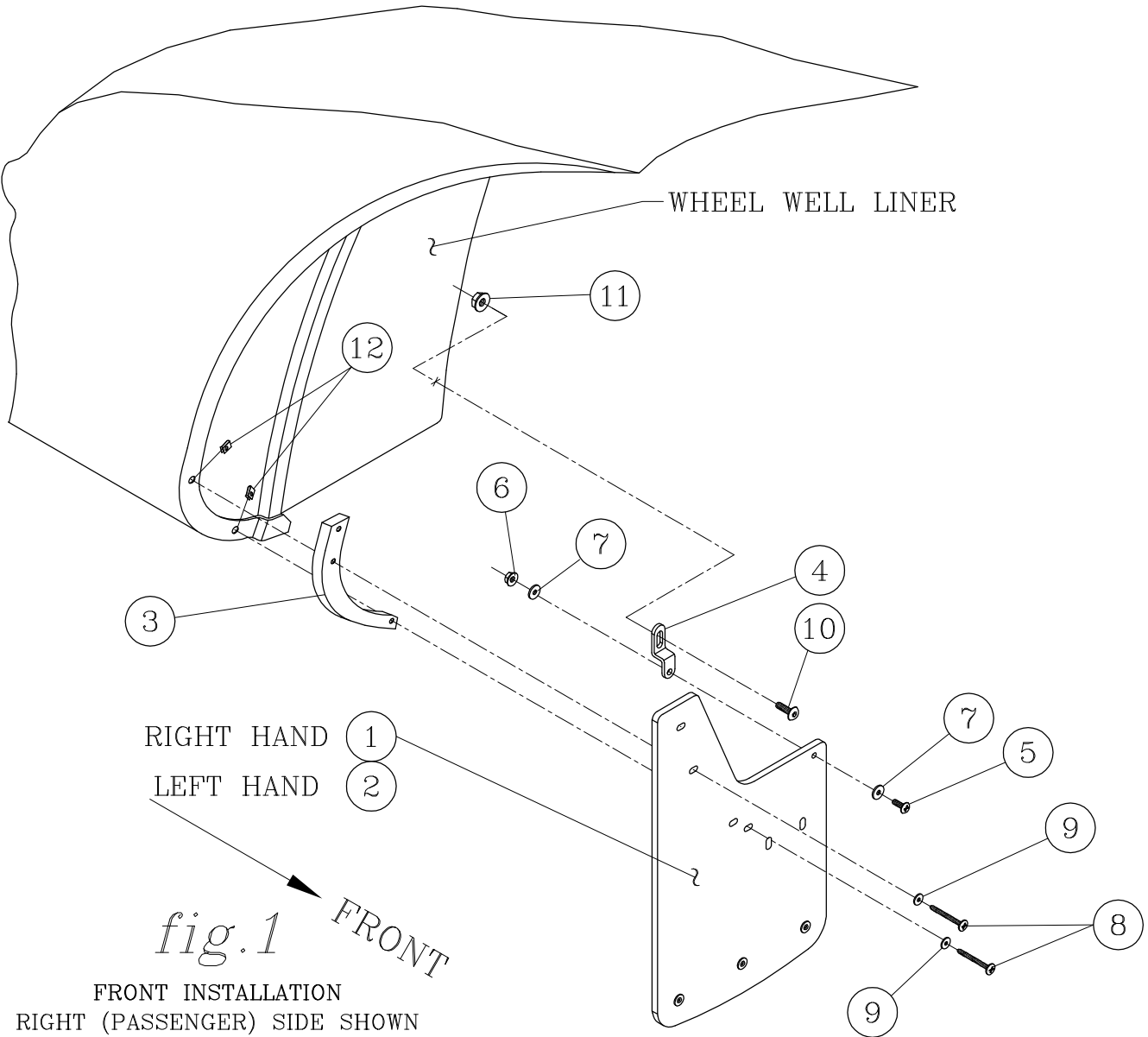
1200 E. Birch St.

Brandon, SD 57005

REV B 10MAY10  
REV A 07DEC09  
550210 SHEET 1 20OCT08

SERVICE PARTS LIST

2009 DODGE RAM  
MODEL NO. - 250930 & 250932



RIGHT HAND 1  
LEFT HAND 2  
*fig.1*  
FRONT

FRONT INSTALLATION  
RIGHT (PASSENGER) SIDE SHOWN

ITEM	PART NO.	QTY	DESCRIPTION
1	550204	1	MUDGUARD-RUBBER, 20" DODGE RAM,RH
2	550205	1	MUDGUARD-RUBBER, 20" DODGE RAM,LH
1	550206	1	MUDGUARD-RUBBER, 23" DODGE RAM,RH
2	550207	1	MUDGUARD-RUBBER, 23" DODGE RAM,LH
3	550224	2	SPACER-RUBBER, FRONT, 09 DODGE
4	605330	2	ZEE CLIP, SLOTTED, SST
5	103775	2	SCREW-TRUSS HD, XREC, SST, #10-24 X .75"
6	104261	2	NUT-HEX, SERR FLG, SST, #10-24
7	101370	4	WASHER-FLAT, SST, .281 X .625 X .062
8	107642	4	SCREW-PHILLIPS HD, TYPE B,8-15X1-3/4",SST
9	105511	4	WASHER-FLAT, SST, .203 X .625 X .062
10	100700	2	SCREW-BTN HD,5/16-18 X .75
11	102680	2	NUT-HEX, SERR FLG, SST, 5/16-18
12	105518	4	U-CLIP-THREADED, 8-15,BLK



(A LIVERNE Company)

1200 E. Birch St.

Brandon, SD 57005

REV B 10MAY10  
REV A 07DEC09  
550210 SHEET 2 17OCT08