

INSTALLATION INSTRUCTIONS AND PARTS LIST
MODEL 477078, 477088, 477098 REGAL 7 OVAL STEPS (BOARDS ONLY)
UNIVERSAL APPLICATIONS



1. Read instructions completely and check to make sure that all required parts (listed on the service parts list) are on hand before starting the installation.
2. Follow the instructions included with the specific bracket package that you are using to mount the brackets to your vehicle.
3. The step is pre-assembled from the factory. The serial number label is located on the front inside drivers side step assembly.
4. Attaching the step to the mounting bracket:
 - 4.1 Set the step on the mounting brackets, and slide each support mounting plate (item #9) inside the oval step and above each bracket.
 - 4.2 Using the supplied 5/16-18 x 1" black stainless steel hex bolt, washer, and serrated flange nut (items # 10,11&12) attach the step assembly, support mounting plate and mounting bracket.
 - 4.3 Set the step plate in the correct position and tighten all fasteners.
Torque all 5/16" fasteners to 19 LB FT.

SERVICE PARTS LIST

ITEM	PART NO.	QTY	DESCRIPTION
1&2	552059	2	REGAL 7 OVAL STEP, LH,RH,76",477078
1&2	552060	2	REGAL 7 OVAL STEP, LH,RH,86",477088
1	552061	1	REGAL 7 OVAL STEP, LH,96",477098
2	552062	1	REGAL 7 OVAL STEP, RH,96",477098
3	109233	2	END CAP LH REAR, RH FRONT,BLK PLASTIC
4	109232	2	END CAP RH REAR, LH FRONT,BLK PLASTIC
5	107863	8	BOLT-CARRAIGE, 10-24 X 0.50,SST, BLACK
6	108909	4	STEP PAD, 25" X 6.5", PLASTIC, BLACK
7	108908	24	BOLT-CARRAIGE, 10-24 X 1.0,SST, BLACK
8	107864	24	NUT-NYLOCK, 10-24, SST
9	552052	8	SUPPORT MTG PLT, 11 GA, GALV
10	106997	16	SCREW-HEX HD, 5/16-18X1.0,SST,BLACK
11	106998	16	WSHR-FLAT, 5/16, SST, BLACK
12	102680	16	NUT-SER FLG, 5/16-18, SST



(A LUVERNE Company)

1200 E. Birch St.

Brandon, SD 57005

REV A 31JUL12
552065 SHEET 1 OF 2 24FEB12

INSTALLATION INSTRUCTIONS AND PARTS LIST

APPLICATION:

MODEL 401443 STEP BRACKETS:

2014 GM SILVERADO & SIERA DOUBLE/CREW CAB PICKUPS
2015 GM TAHOE/SUBURBAN/AVALANCHE/YUKON/YUKON XL



1. READ INSTRUCTIONS COMPLETELY AND CHECK TO MAKE SURE THAT ALL REQUIRED PARTS (LISTED ON THE SERVICE PARTS LIST) ARE ON HAND BEFORE STARTING THE INSTALLATION.
2. ATTACH THE MOUNTING BRACKETS TO THE VEHICLE AS FOLLOWS: [SEE FIG. 1 & 2]
 - 2.1 ATTACH THE TOP OF THE MOUNTING BRACKETS (ITEM #1 & 2) TO THE VEHICLE AS SHOWN.
 - 2.2 INSERT 5/16" MULTI-THREAD U-NUT (ITEM #7) INTO THE UPPER HOLES IN THE ROCKER PANEL (SEE FIG. 1).
(NOTE: SOME VEHICLES WILL HAVE THREADED INSERTS IN THE ROCKER PANELS, AND WILL NOT REQUIRE THE INSTALLATION OF THE U-NUTS.)
 - 2.3 ATTACH THE TOP OF THE BRACKETS (ITEM #1 & 2) TO THE VEHICLE WITH 5/16-18 X 1.0 SCREW AND FLAT WASHER (ITEMS #5&4). HAND TIGHTEN ONLY.
(NOTE: IF VEHICLE HAS THREADED INSERTS AS STATED ABOVE IT WILL REQUIRE A BLACK M8 X 30MM SCREW (ITEM #3) IN PLACE OF THE 5/16-18X 1.0 SCREW.)
 - 2.4 INSTALL THE BLACK M8-1.25 SCREW (ITEM#3) AND WASHER (ITEM#4) PLACE PINCH WELD SUPPORT BRACKET (ITEM #8) ABOVE PINCH WELD AS SHOWN INSTALL M8 FLANGE NUT (ITEM#6) *(UNLESS THERE IS A THREADED INSERT ATTACHED TO THE VEHICLE)* - THIS IS DONE ON EACH MOUNTING BRACKET. TIGHTEN ALL FASTENERS TO 19 LB FT.
3. ATTACHING THE STEP ASSEMBLY:
PLEASE REVIEW THE INSTALLATION INSTRUCTIONS THAT ARE INCLUDED IN YOUR STEP ASSEMBLY FOR SPECIFIC DETAILS.

SERVICE PARTS LIST

ITEM	PART NO.	QTY	DESCRIPTION
PARTS INCLUDED IN THE BRACKET PACKAGE			
1	552725	3	MOUNTING BRACKET, RH, GRIP STEPS (PASSENGER SIDE)
2	552726	3	MOUNTING BRACKET, LH, GRIP STEPS (DRIVER SIDE)
3	100180	12	M8 X 30 X1.25 SCR,SST,BZP
4	106998	12	5/16" STD FLAT WASHER SST, BZP
5	100647	6	5/16" X 1.00" SCR ZP
6	105859	6	M8 FLANGED NUT ZP
7	105541	6	U-NUT 5/16" - 18
8	551666	6	BRKT-MTG,PINCH WELD SUPPORT



(A LUVERNE Company)

1200 E. Birch St.

Brandon, SD 57005

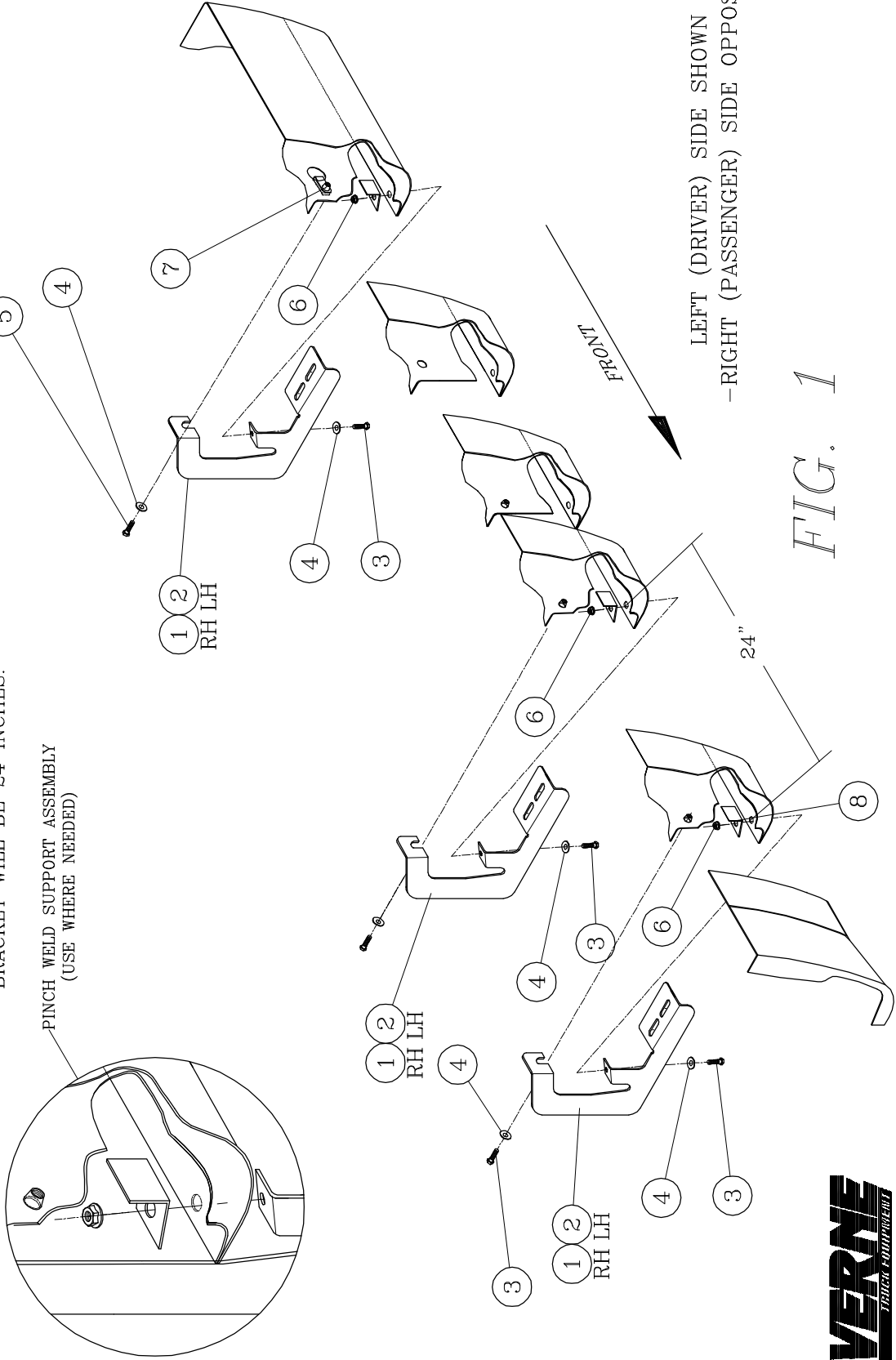
552740 SHEET 1 OF 3 31OCT14

SERVICE PARTS LIST

MODEL NO. -401443

SILVERADO / SIERRA

NOTE:
THE MOUNTING PATTERNS MAY NOT BE EXACTLY AS SHOWN.
HOWEVER THERE WILL BE ENOUGH FASTENERS TO MAKE THE
APPLICATION. THE DISTANCE BETWEEN THE FIRST AND SECOND
BRACKET WILL BE 24 INCHES.



LEFT (DRIVER) SIDE SHOWN
- RIGHT (PASSENGER) SIDE OPPOSITE -

FIG. 1



1200 E. Birch St.
Bremerton, WA 98512

SUBURBAN/TAHOE/AVALANCE

SERVICE PARTS LIST

MODEL NO. - 401443

NOTE:
THE MOUNTING PATTERNS MAY NOT BE EXACTLY AS SHOWN.
HOWEVER THERE WILL BE ENOUGH FASTENERS TO MAKE THE
APPLICATION. THE DISTANCE BETWEEN THE FIRST AND SECOND
BRACKET WILL BE 24 INCHES.

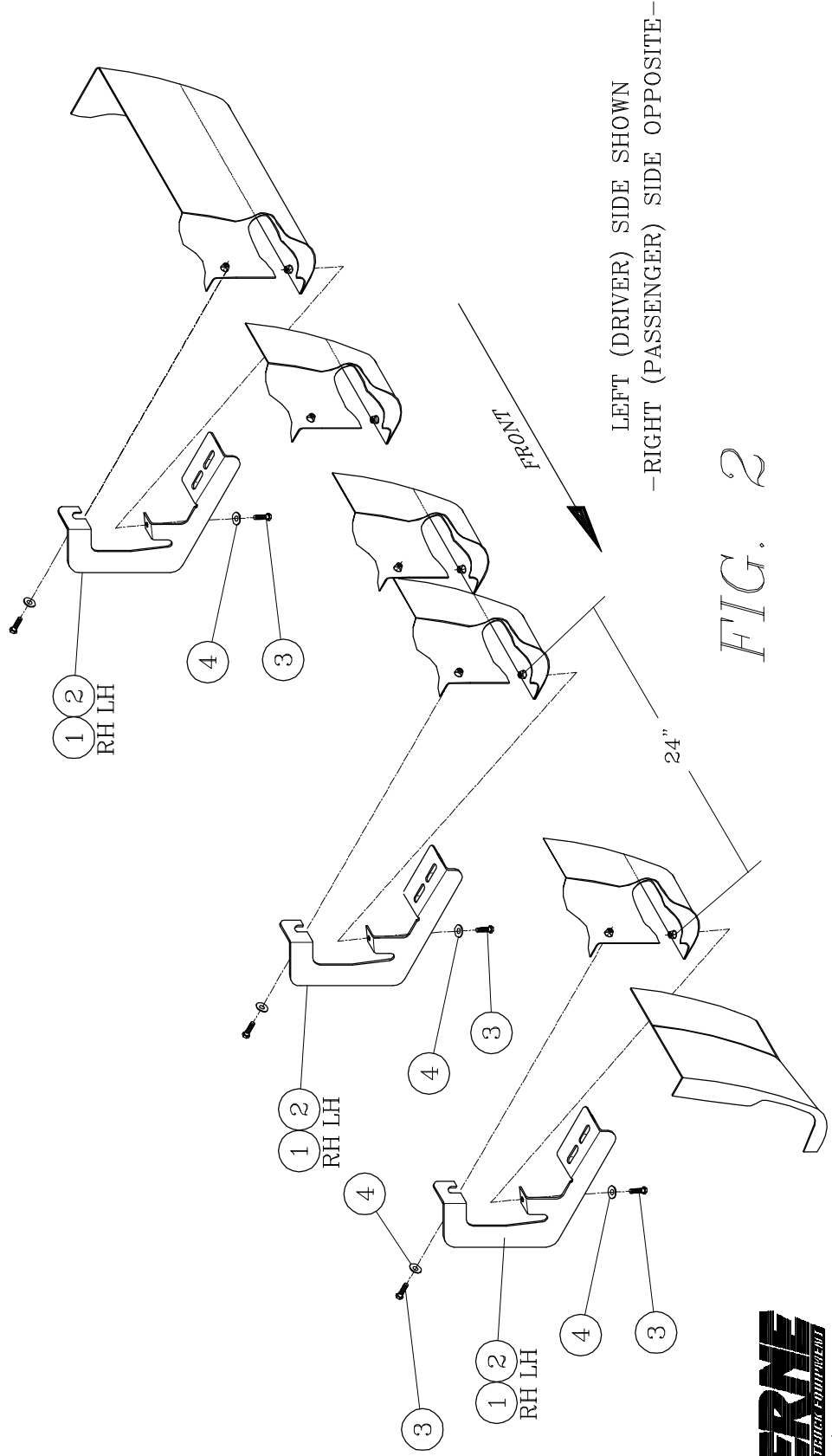


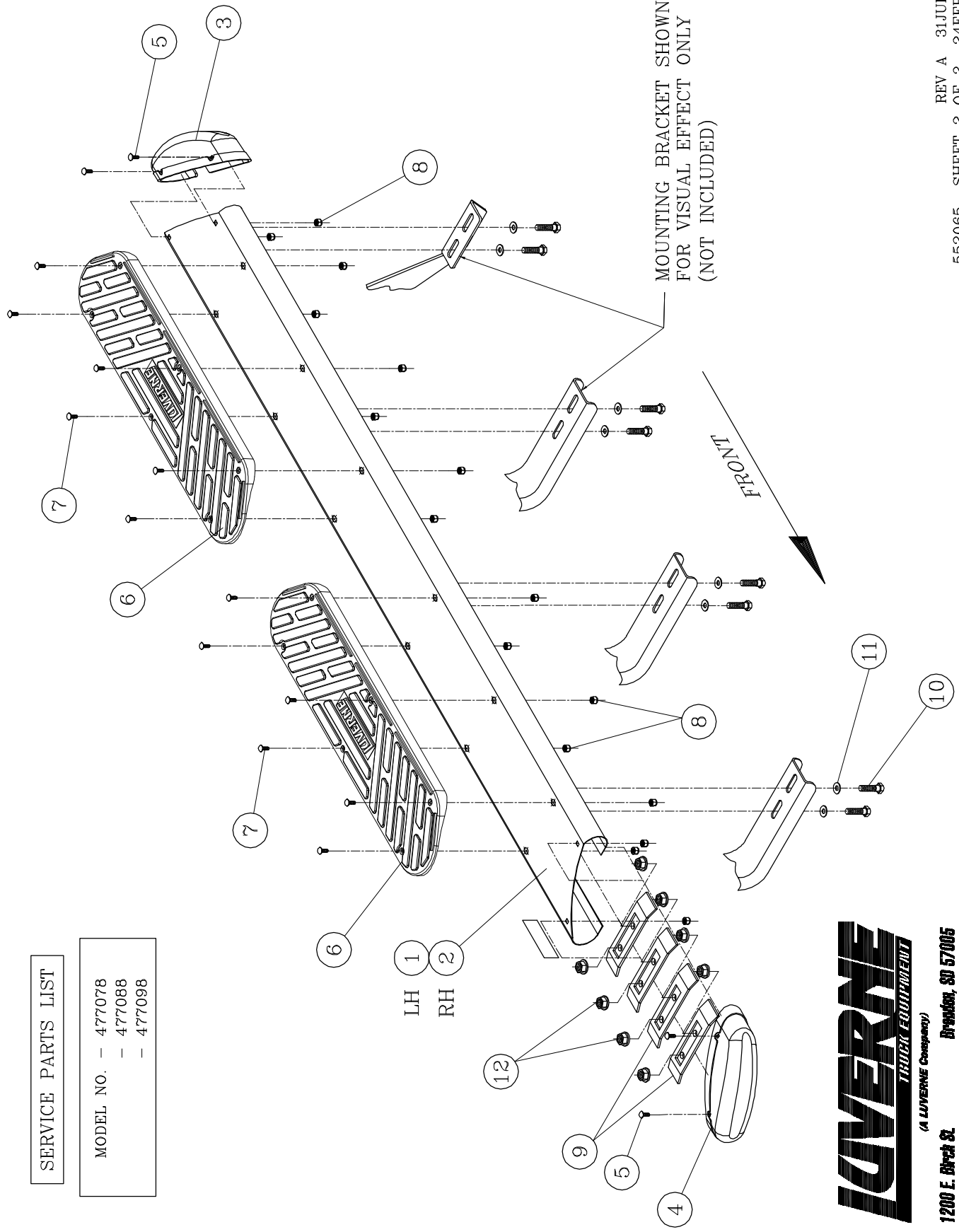
FIG. 2

LOVERNE
A LOVERNE COMPANY
12220 E. BIRCH ST.
DENVER, CO 80231

12200 E. BIRCH ST.
DENVER, CO 80231

SERVICE PARTS LIST

MODEL NO. - 477078
 - 477088
 - 477098



MOUNTING BRACKET SHOWN
 FOR VISUAL EFFECT ONLY
 (NOT INCLUDED)

FRONT

LAVERNE
 TRUCK EQUIPMENT
 (A LUYERNE Company)
 1200 E. Birch St.
 Brown, SD 57005