

EGR INSTALLATION INSTRUCTIONS

Tools Required



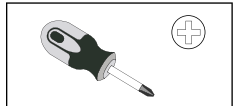
Clean Dry Cloth



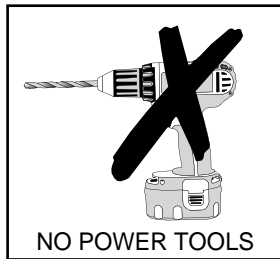
Soap & Water



Non-Permanent Marker



#2 Phillips Head Screwdriver

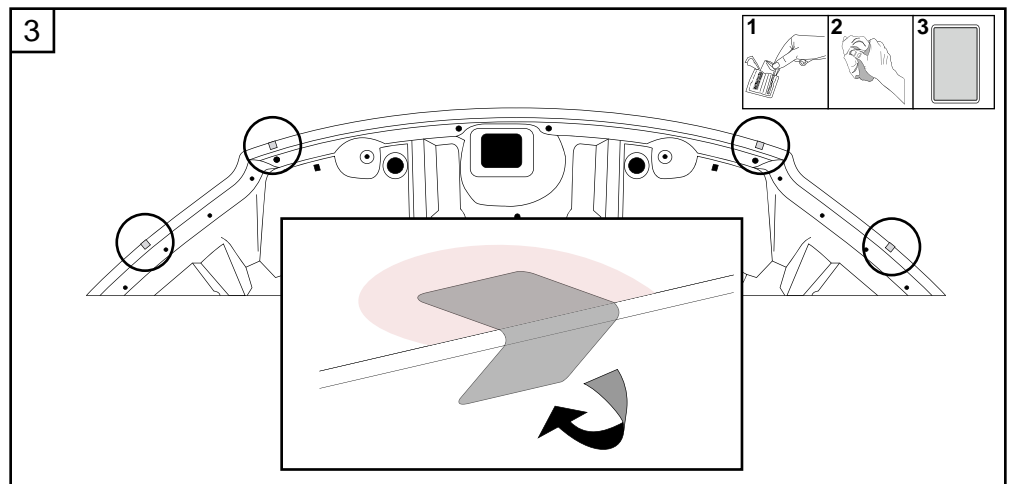
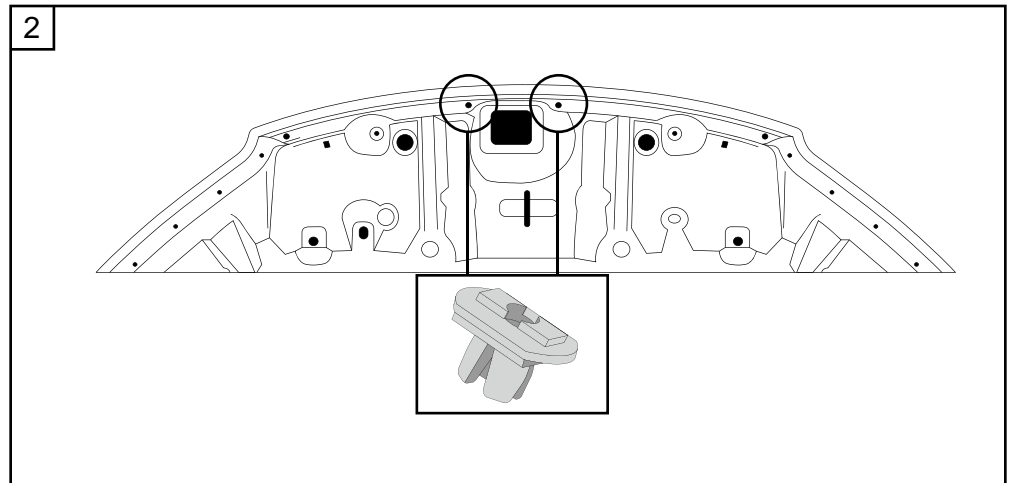
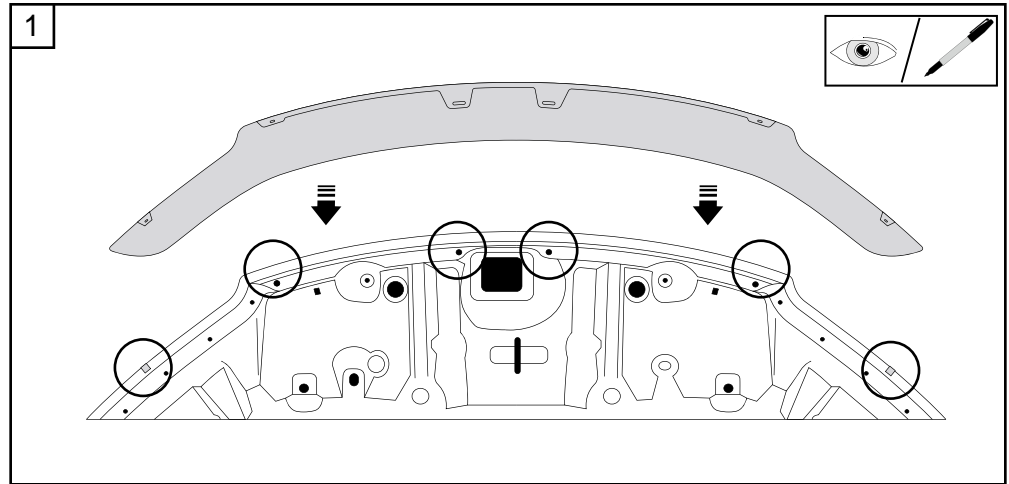


- Do not use power tools to install this product.
- No battery operated screw guns.
- The use of power tools during installation may void the product warranty.
- Do not overtighten.

- 1 Wash the hood with a mild soap and water solution, then dry thoroughly. Open the hood. Trial fit the Hood Protector centrally onto the hood. With a non-permanent marker, note and mark the holes on the underside of the hood that correspond with the two inner slots in the Hood Deflector. Also mark two outer slot positions in relation to the hood. Remove the Hood Deflector.

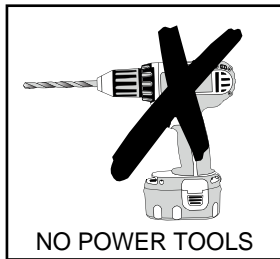
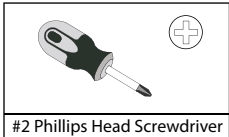
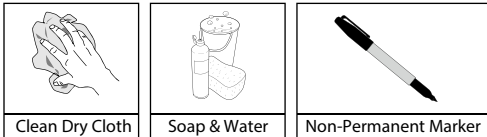
- 2 Insert screw plugs provided into the two vacant holes.

- 3 Clean the four noted areas with the alcohol wipe provided. Wipe off any residue with a dry clean cloth. Adhere the abrasive resistant tape strips over the hood lip. Apply tape so approximately half of each strip is adhered to the top side and half is adhered to the underside of hood.



EGR INSTALLATION INSTRUCTIONS

Tools Required



- Do not use power tools to install this product.
- No battery operated screw guns.
- The use of power tools during installation may void the product warranty.
- Do not overtighten.

- 4• Attach the two metal wing clips to the Hood Protector at the two noted areas.

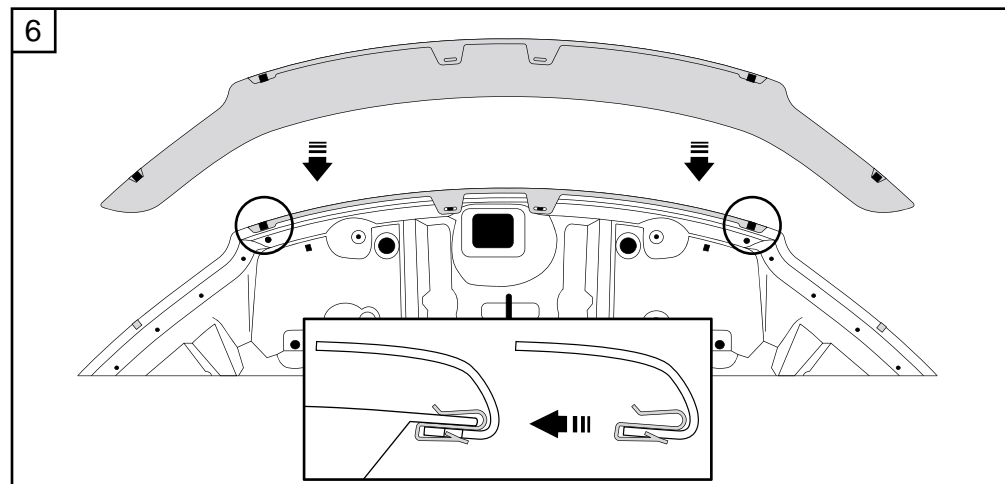
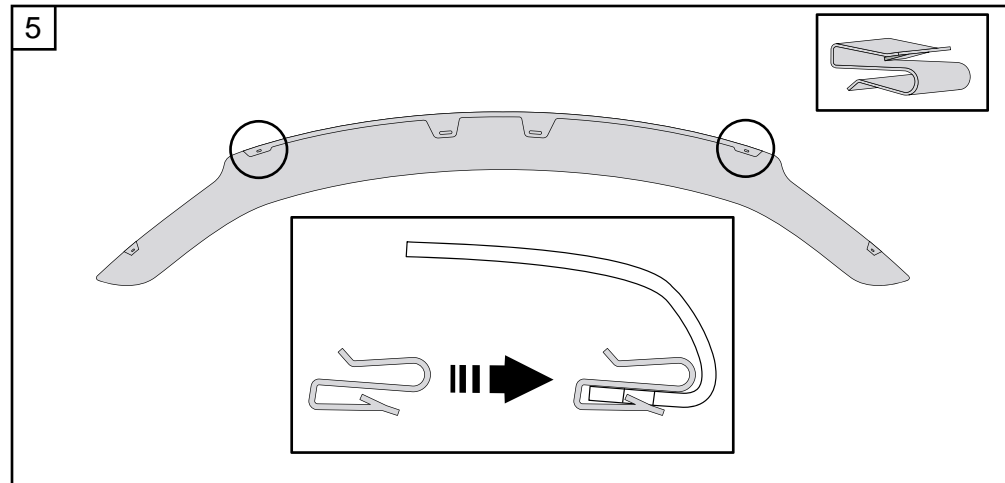
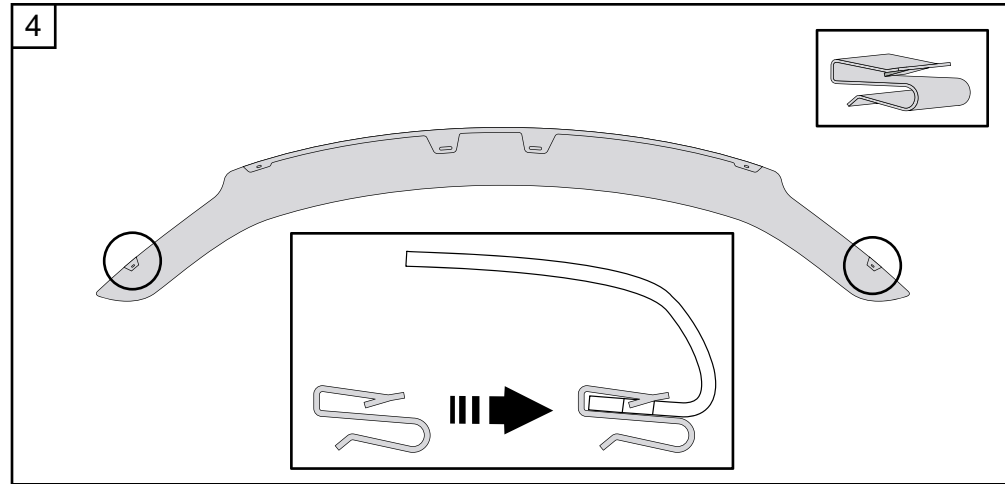
Note: You will hear a definite click when the clips engage with the Hood Protector.

- 5• Attach the two metal wing clips upside down to the Hood Protector at the two noted areas.

Note: You will hear a definite click when the clips engage with the Hood Protector.

- 6• Install Hood Protector onto hood. Slide the two inner metal clips onto the hood lip. Ensure that the collar of the screw plug locates into and parallel with the slot in the Hood Protector center tag.

IMPORTANT: Ensure that the clips are positioned over abrasive resistant tape and do not come in contact with any of the hood's paint work. Failure to do this may result in permanent paint damage.



EGR INSTALLATION INSTRUCTIONS

Tools Required



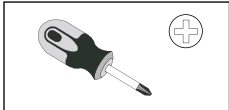
Clean Dry Cloth



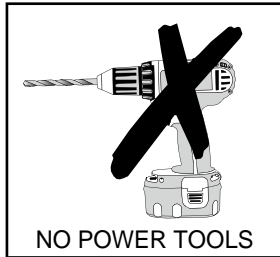
Soap & Water



Non-Permanent Marker



#2 Phillips Head Screwdriver



- Do not use power tools to install this product.
- No battery operated screw guns.
- The use of power tools during installation may void the product warranty.
- Do not overtighten.

- 7• While maintaining thumb pressure against the underside of the Hood Protector, insert the two screws through the two washers and into the screw plugs, tighten the screws.

Important: Thumb pressure must be maintained on the Hood Protector to prevent the screw plug from rotating. DO NOT OVERTIGHTEN SCREWS.

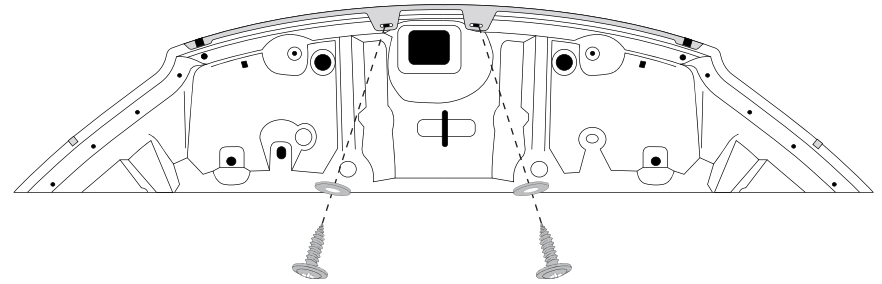
- 8• Push the metal wing clips onto hood locating the clips over the abrasive resistant tape strips on the hood lip, as shown.

IMPORTANT: Ensure that the clips are positioned over abrasive resistant tape and do not come in contact with any of the hood's paint work. Failure to do this may result in permanent paint damage.

To Clean:

- Use mild detergent and water solution
- Do not use solvents
- Avoid the use of automatic "Brush Style" car washes.
- When closing the hood, do not pull on Hood Protector.

7



8

