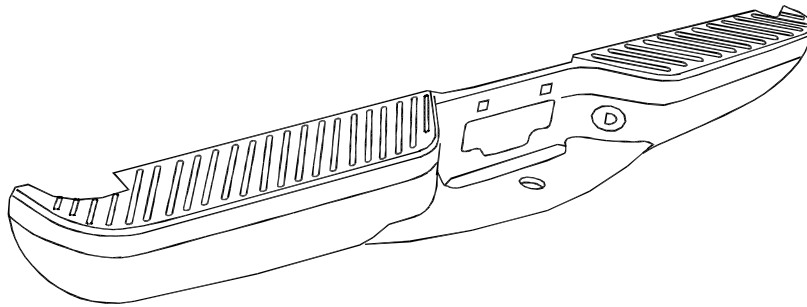




INSTALLATION INSTRUCTIONS

APPLICATION: 1999 & UP FORD F-350 TRUCK/
FORD F-250 HEAVY DUTY TRUCK

BUMPER KIT: 31003
32003



PERFECT MATCH BUMPER

MOUNTING KIT CONTENTS		TOOLS REQUIRED
QTY	DESCRIPTION	
8	M14-20 X 40, HEX HEAD BOLT	22mm SOCKET
16	M14, FLAT WASHER	22mm WRENCH
8	M14, SPLIT LOCK WASHER	RATCHET
8	M14-20, HEX NUT	TORQUE WRENCH
2	MOUNTING BRACKET, PN 00121738	WIRE CRIMPING TOOL
BUMPER KIT CONTENTS		
QTY	DESCRIPTION	
1	BUMPER	
1	LICENSE PLATE LIGHT KIT	

STEP 1: Align One mounting bracket (p.n. 00121738) with the mounting holes drilled into the Hitch Frame. Pass one M14-2.0 x 40 Hex Head Bolt through each mounting hole. Utilize (2) M14 Flat Washer, (1) Split Lock washer and (1) M14-2.0 Nut with each bolt. Refer to Figure 1.

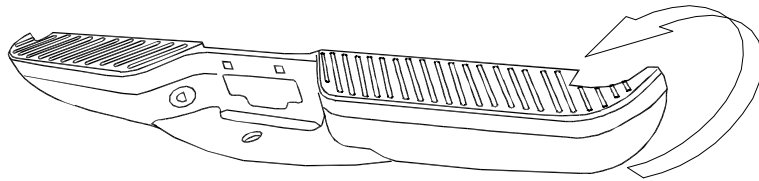
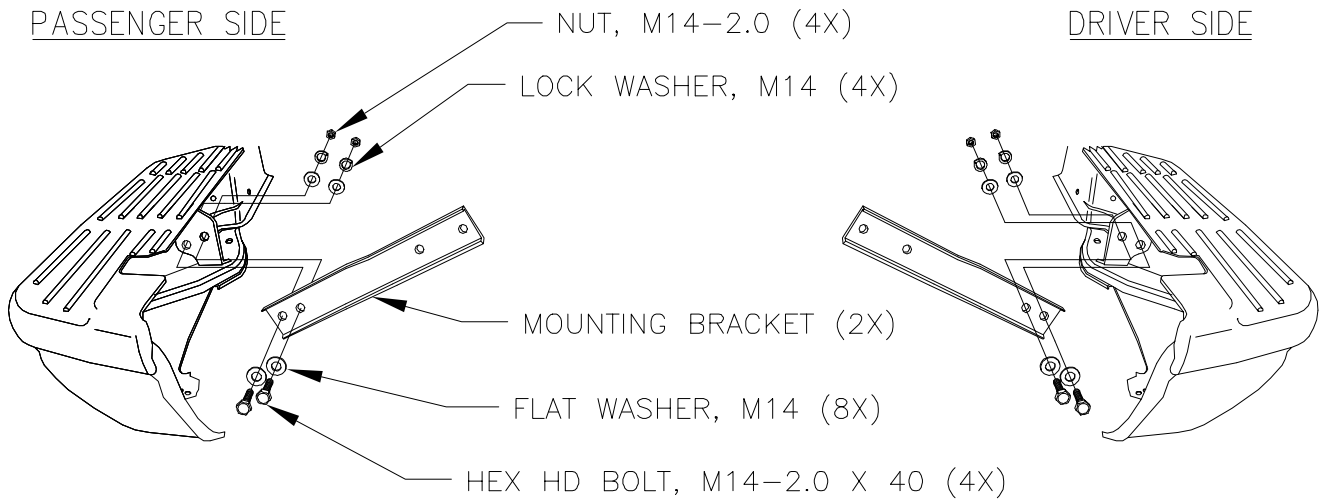


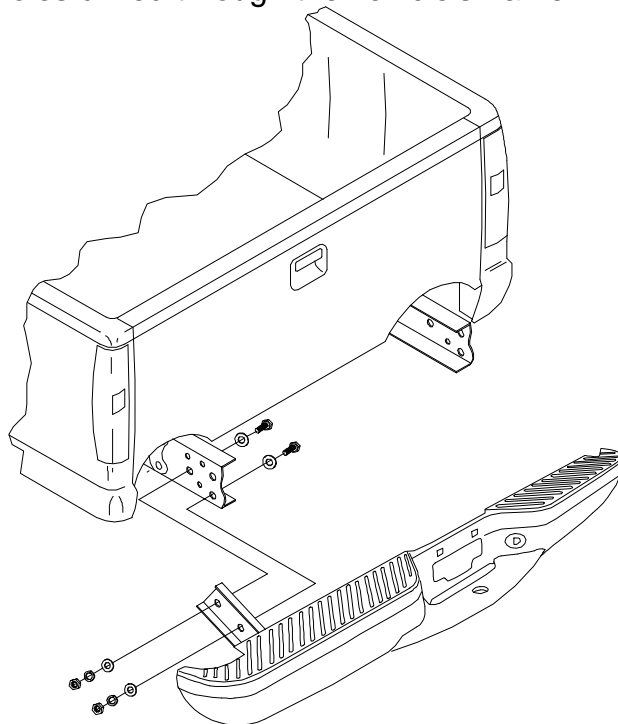
FIGURE 1



STEP 2: Repeat Step 1, with the remaining mounting bracket on the opposite side of the Hitch Frame.

STEP 3: Position the bumper so that the bolt holes on the mounting brackets line up with the corresponding bolt holes drilled through the vehicle's frame.

FIGURE 2



STEP 4: Pass one M14-2.0 x 40, Hex Head Bolt through each frame mounting hole. Utilize (2) M14 Flat Washers and (1) M14 Split Lock Washer with each M14-2.0 x 40 bolt. Hand tighten (1) M14-2.0 Nut onto each bolt. Refer to Figure 2.

STEP 5: Position the bumper squarely to the tailgate. Allow ample clearance for the tailgate to open. Using a torque wrench tighten all (8) M14-2.0 Bolts to 85-95 foot-pounds (115-130 Newton-meters).

STEP 6: Use the square plastic grommets and screws to install the license plate. Refer to Figure 3.

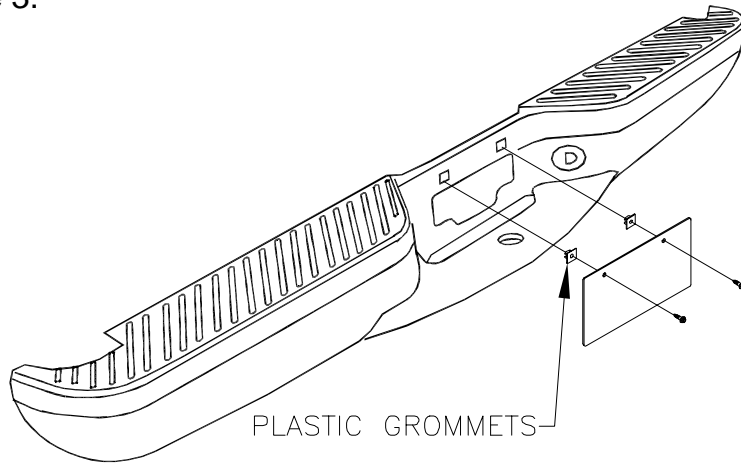


FIGURE 3

STEP 7: Install the license plate lights into the bumper. Splice the light wires into the truck's wiring using the supplied connectors. Check that the license plate lights are functioning properly before driving the vehicle at night. Refer to Figure 4.

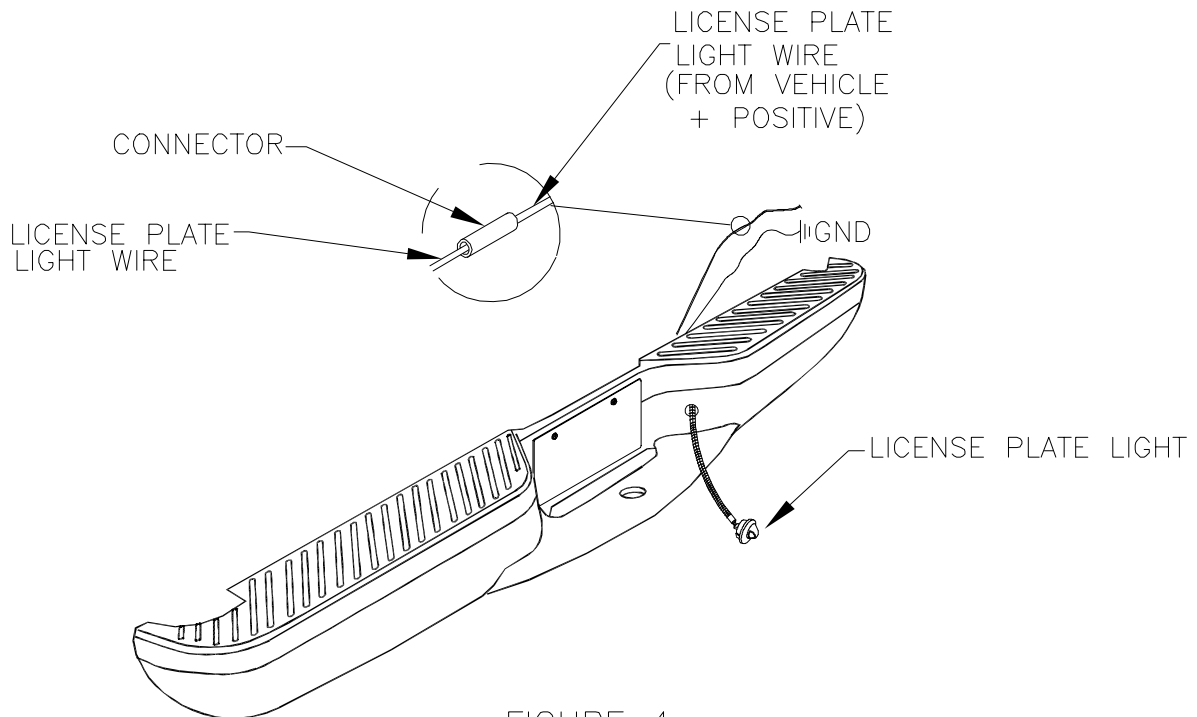


FIGURE 4