

ENDURE ALX INSTALLATION SHEET

Any damaged or missing parts?

Parts will be shipped to you directly.

Call 800-877-2588, Mon - Fri, 8:30 a.m. - 6:00 p.m. EST

PARTS INCLUDED IN YOUR KIT

- A** 1x Cover assembly
- B** 1x Driver side rail
- C** 1x Passenger side rail
- D** 6x Clamps
- E** 4x Bolts
- F** 4x Metal washers
- G** 4x Lock nuts
- H** 1x Bulkhead seal
- I** 2x Strap buckles
- J** 4x Screws
- K** 4x Threaded inserts
- L** 3x Cab bumpers
- M** 2x Drain hoses

TOOLS REQUIRED

- Phillips screwdriver
- Ratchet wrench
- Knife or cutting tool
- Torx wrench
- Socket or wrench - 1/2"
- Socket or wrench - 9/16"

D 	E 	F 	G 	I 	J 	K
--------------	--------------	--------------	--------------	--------------	--------------	--------------

1 If the truck does NOT have a bedliner, install the cab/bulkhead seal (H). Clean the area where the seal will go, as shown, with soap and water to remove dirt and debris. Then clean the same area with isopropyl alcohol to remove wax or grease and to evaporate any remaining water. Allow the surface to dry, then position the seal at the leading edge of the bulkhead. Apply pressure to the entire seal to make sure the adhesion is good. **If the truck DOES have a bedliner, proceed to step 2 first.**

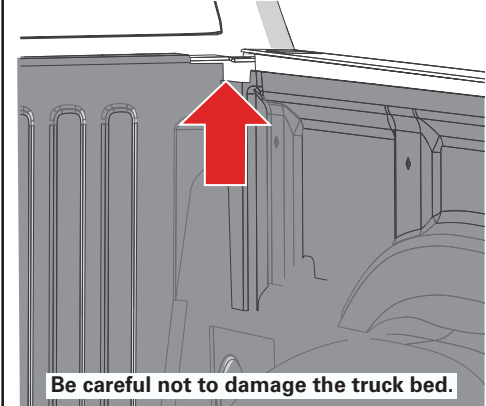
2 Place the passenger side rail (C) on the truck bed rail with the slotted bracket forward toward the cab/front and facing inside. With the rail firmly placed up to the bulkhead, check that the rail end does not interfere with closing the tailgate. **NOTE:** If the rail end interferes with closing the tailgate and there is a bed liner, trimming a notch in the bed liner with a knife or cutting tool is required - please see step 2A.

CAB/FRONT **TAILGATE**

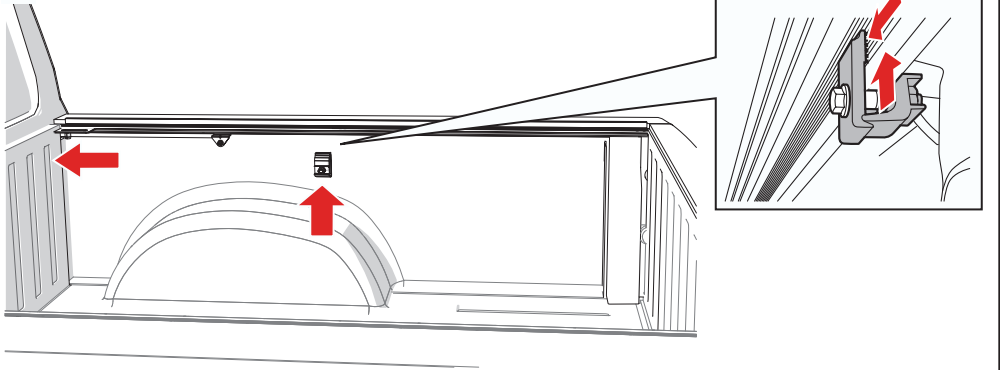
Be careful not to damage the truck bed.



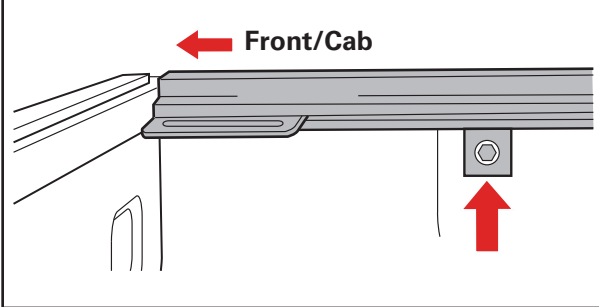
2A Trim the bedliner in the corner at the bulkhead near the slotted bracket on both sides, using a knife or cutting tool.



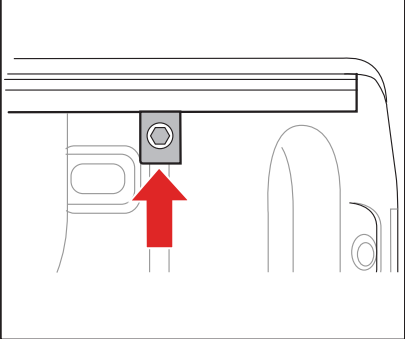
3 Make sure the rail is positioned square with the truck bed rail and firmly pressed to the bulkhead. Start with the middle clamp (D) and place it in the center of the rail. Tighten the bolt enough to hold the clamp in place. Make sure the clamp is inserted all the way up into the rail and that the clamp teeth are aligned to the rail slots to ensure a good grip.



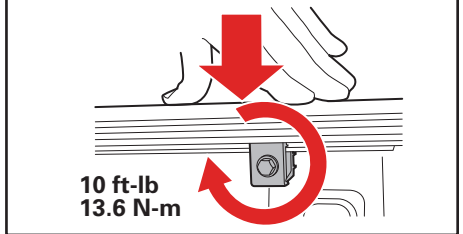
4 Continue to make sure the rail is clamped square with the truck bed rail and pressed firmly to the bulkhead. Install a front clamp (D) 6-9" (152 - 229mm) from the front/cab.



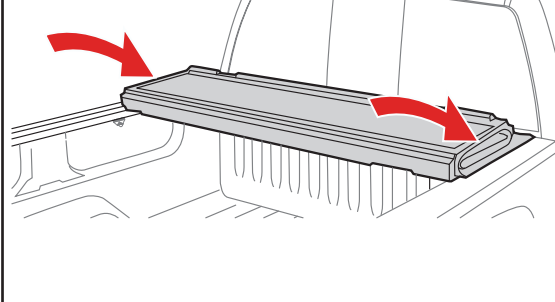
5 Place the rear clamp (D) approximately 6" (152mm) from the tailgate.



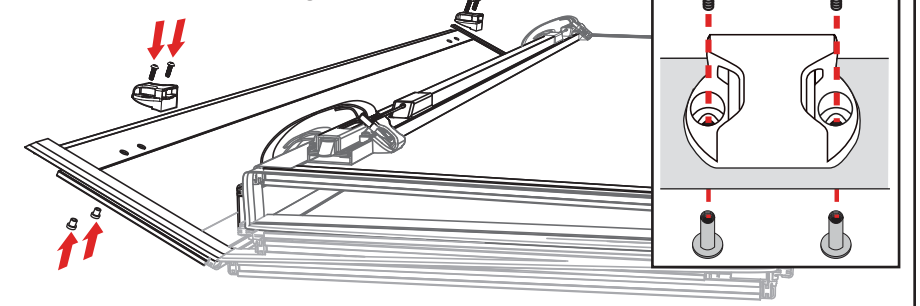
6 Tighten the clamps (D) starting with the middle, then the front and rear. Always apply downward pressure to the rail when tightening to ensure that the rail sits flush and seals properly. Repeat steps 2 - 6 for the driver side rail (B).



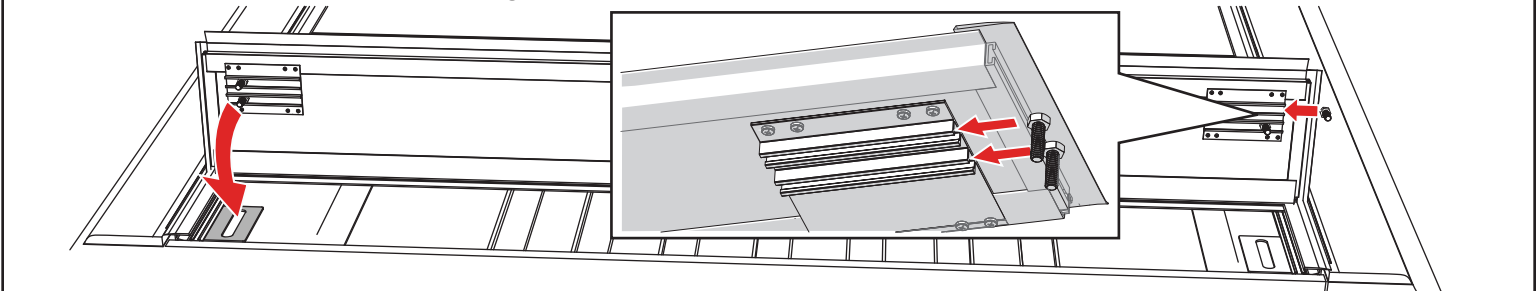
7 It is recommended that two people set the cover assembly (A) in its folded position with the cab panel at the front onto the truck bed. Be careful not to damage any seals.



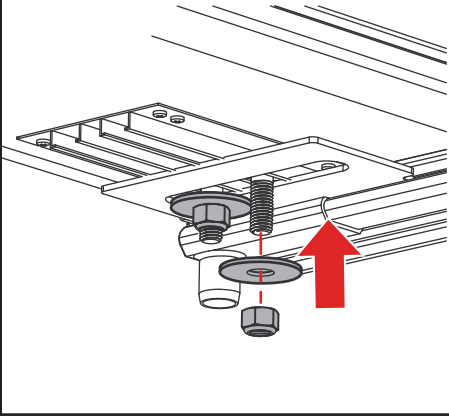
8 Install the two strap buckles (I) into the pre-drilled holes on the front/cab panel. Lift the panel and insert the threaded inserts (K) from the bottom, then thread the screws (J) down through the buckle end. Use a screwdriver and hand tighten. Do not over-tighten and do not use a screw gun.



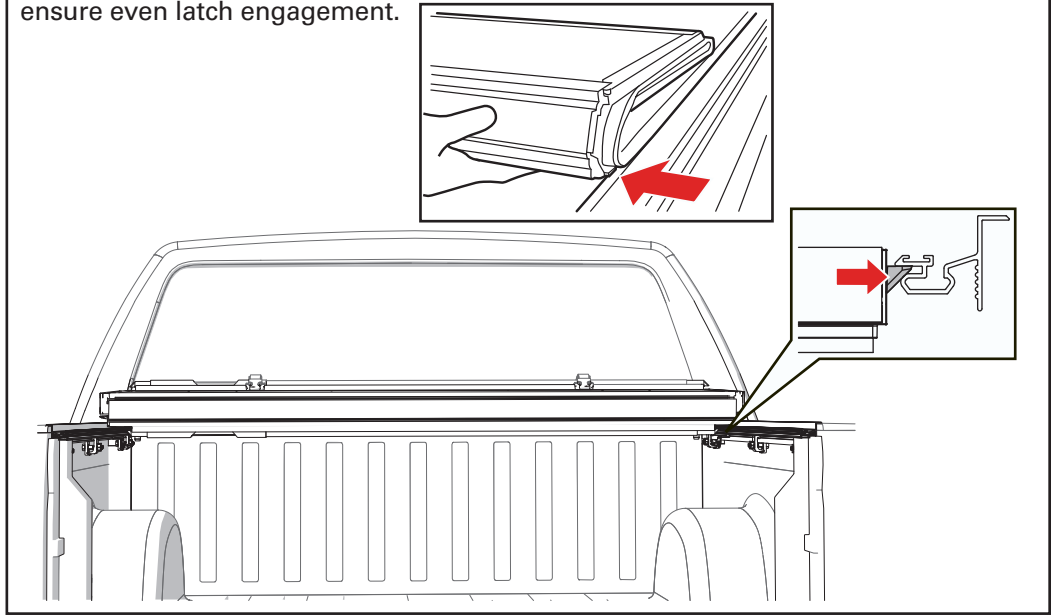
9 At the front/cab, fold the cab panel back and insert two mounting bolts (E) through the keyed slots on each side. When closed, the two bolts need to be aligned with the slotted bracket of the cover rails.



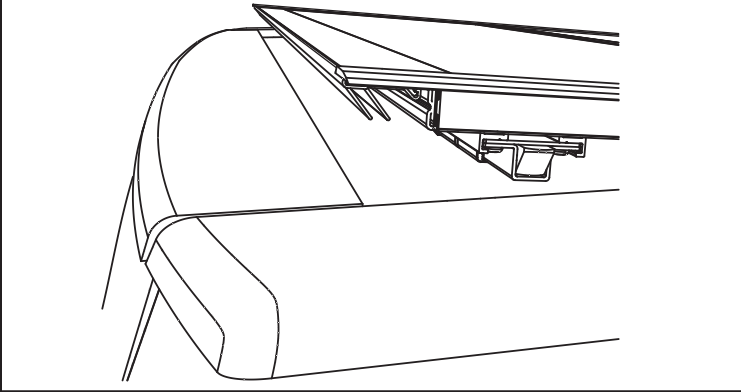
10 Install the mounting hardware underneath the slotted bracket on the rail. Start with the metal washer (F), then the nylon lock nut (G). Install two of each on each rail. **Leave the nuts snug, not tightened, for later adjustments.**



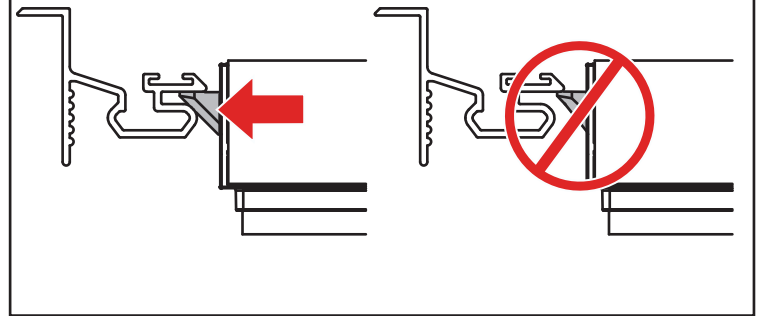
11 Unfold the cover (A) toward the tailgate. Make sure the cover fits squarely and evenly between the rails. While closing the cover, ensure that the latches on each panel engage properly with the rails. Move the cover gently side to side to ensure even latch engagement.



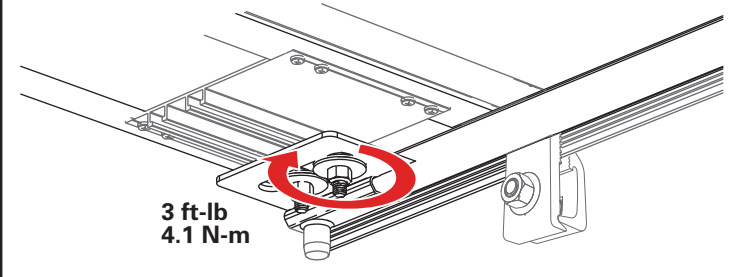
12 The cover's aluminum frame should fit just inside the tailgate, within 1/4" (6.4 mm) when the cover (A) is properly positioned. Also the rear edge of the cover and tailgate seal should rest on top of the tailgate.



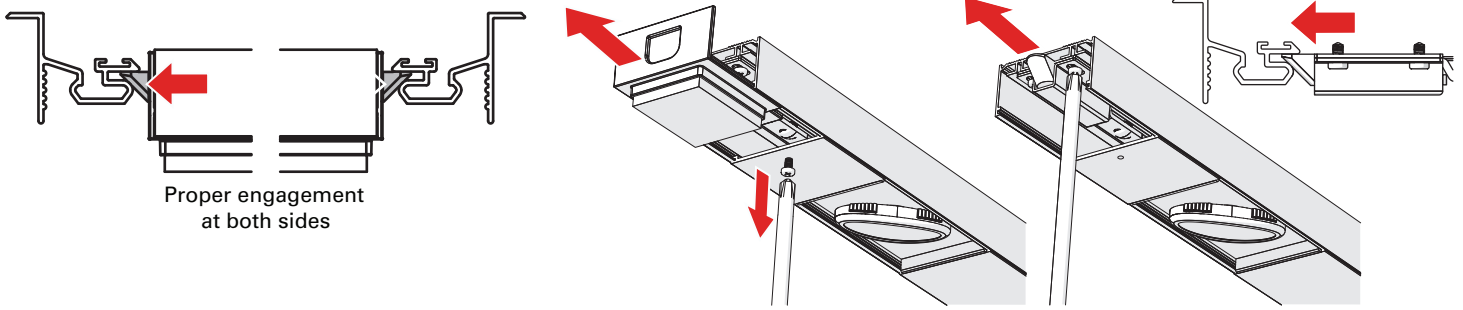
13 With the cover (A) fully closed, check that the cover panel latches on both sides make proper contact with the side rails. Adjust the cover left to right so that both latches have equal engagement into the side rails.



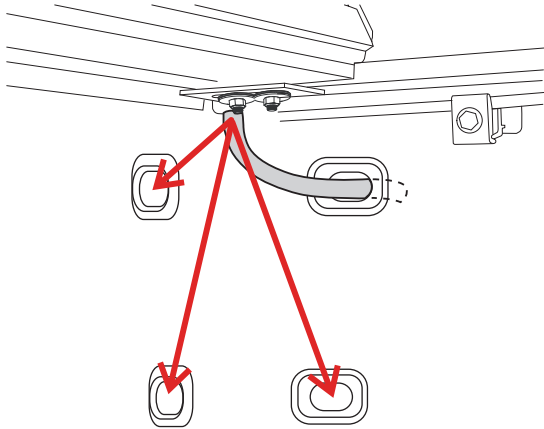
14 Once the cover (A) is properly aligned, carefully open the cover, ensuring that it remains in position. Tighten the four lock nuts (G). **Do not over-tighten the fasteners. Do not use power tools.** Check that the cover operates correctly and the latches engage. If not, loosen the fasteners and realign, starting from step 11. Also the tailgate latch itself can be adjusted in the next step.



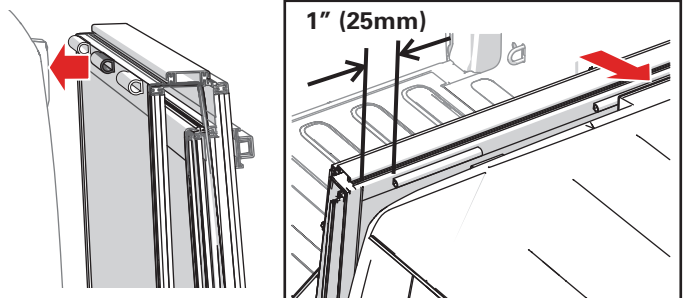
15 Check for tail panel latch engagement. Check to see that both tail panel latches make proper contact with the side rails. If the tail panel latches do not contact properly, you can manually adjust the latch positions. Remove the small panel screw and slide the end cover off of the latch assembly. Loosen the latch screws (remove and tighten screws by hand only) and slide the latch pull assembly to contact the rail. Check and adjust on both sides. Tighten the screws and replace the cover and cover screw.



16 Attach the drain hoses (M) to the front drains and route the hose through the manufacturer bed plugs. Remove the plug or drill a 7/8" (22.3mm) hole in the bed plug. Install hoses on both sides. The hoses may have to run behind a drop-in bed liner.

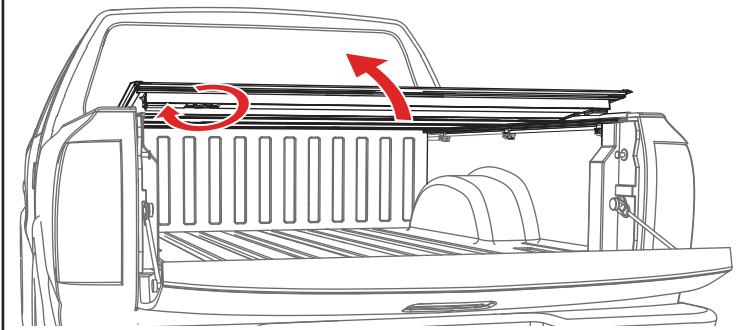


17 Clean the area where the cab bumpers (L) will go with soap and water to remove dirt and debris. Then clean the area with isopropyl alcohol to remove wax or grease and to evaporate any remaining water. Allow the surface to dry. Peel the backing off and position the cab bumpers on the underside of the cover. Position the bumpers so that they prevent the cover from contacting the cab. Position the outer bumpers no closer than 1" (25mm) from the outside edge of the panel, as shown. Apply pressure to the entire bumper to make sure the adhesion is good.



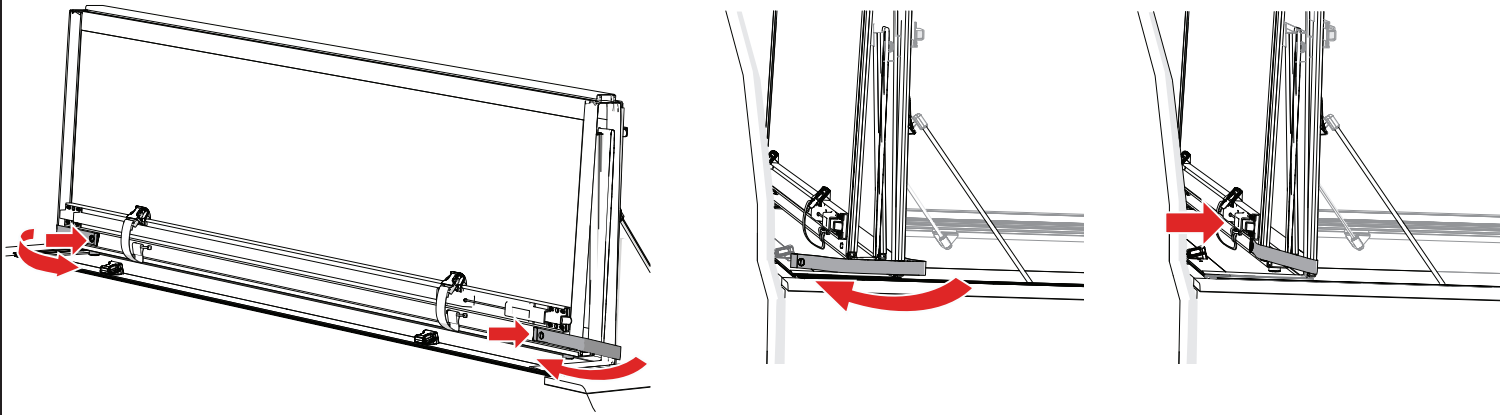
Opening the cover

Open the tailgate and reach under the driver's side of the tail panel for the rotary handle. Rotate the handle to release both latches. Lift the panel to open. The remaining panels open by pulling on the cable under each panel.



Securing the cover

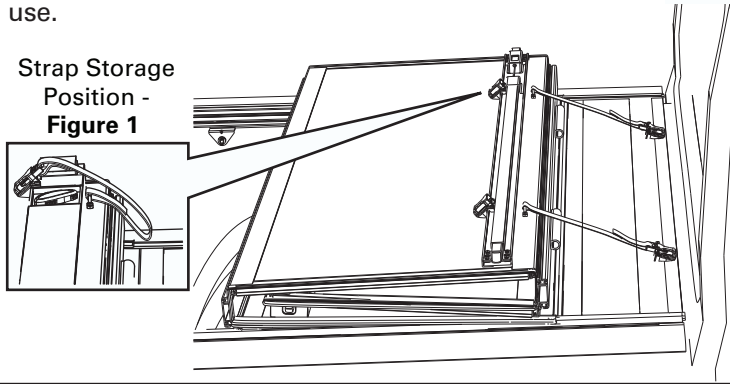
Bring the straps from around the back of the panel and snap the ends to the front of the panels. This will keep the folded panels in place and secure. **Be sure to strap and snap on both sides of the cover.**



Folded Up

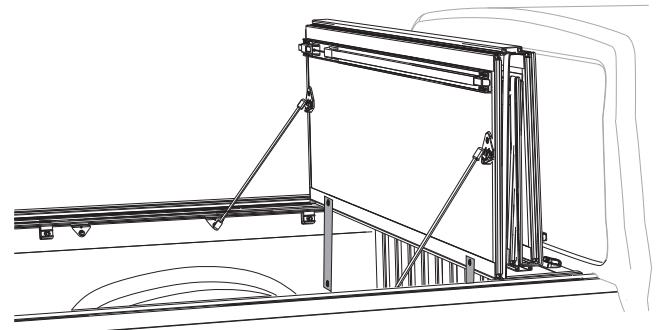
Use the tie down straps and buckles provided with your cover. Ensure that BOTH buckle clips are fully inserted into the buckle ends located on the front header panel of the cover. Adjust the straps to ensure the cover is secure during vehicle operation. The clips should be stored in the storage position, as shown in Figure 1, when the straps are not in use.

Strap Storage
Position -
Figure 1



Flipped Up

Fold the cover open and lift it until it is vertical, or 90 degrees. Release the prop rods from the rail clips and engage the end of the prop rod with the ball fitting of the cover bracket. **Always engage both sides.** Your cover should be firmly in position with little to no movement once the prop rods are locked.



IMPORTANT

Re-tighten **ALL** clamps after the first week of driving the vehicle. Also periodically check **ALL** clamps to ensure they are secure.

While driving, the cover must be completely flat and secure with all latches in the closed position OR completely folded up (all panels) and secured at the cab. **DO NOT DRIVE** with the cover partially opened.



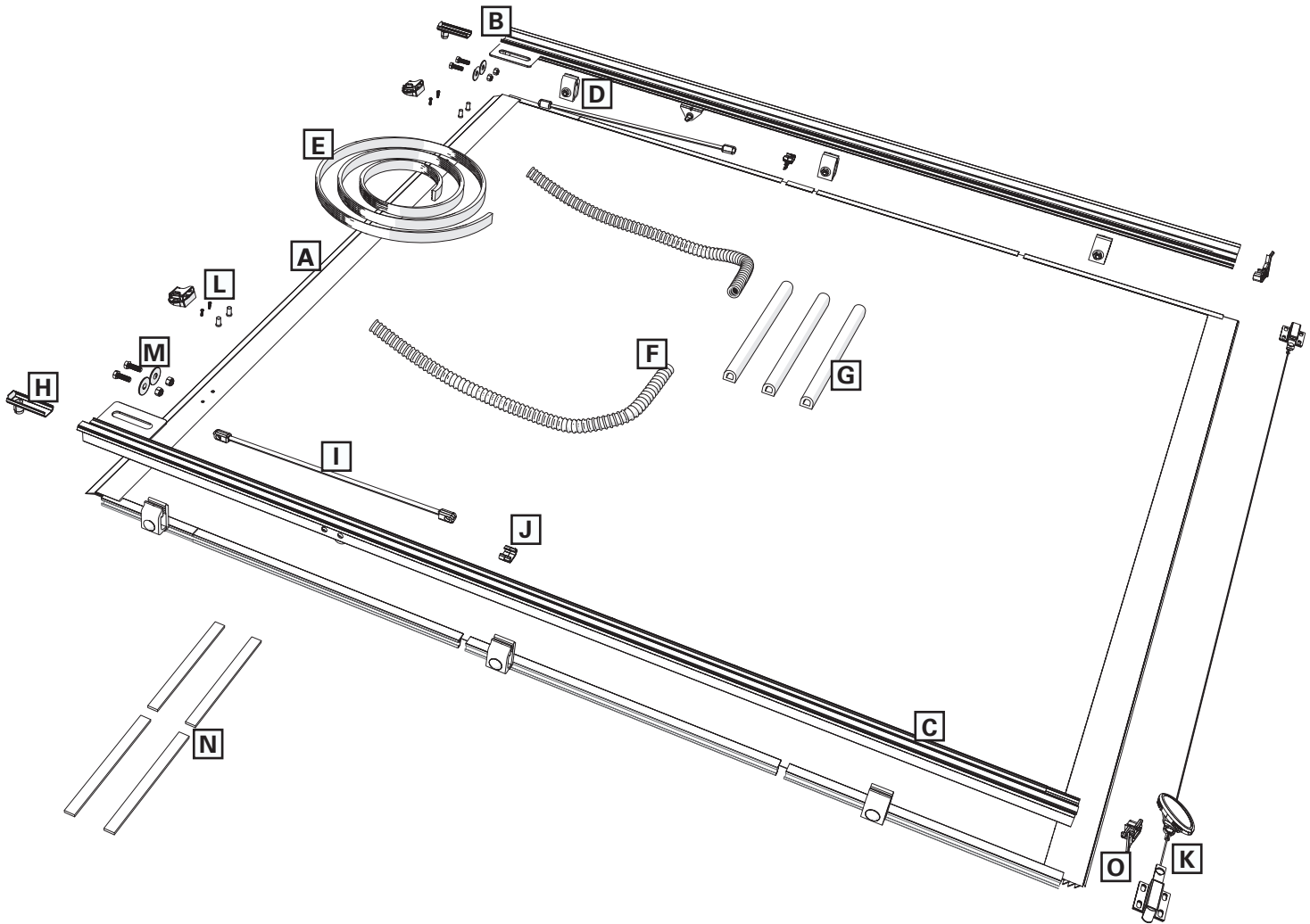
Do NOT allow the vehicle to be towed backwards without first removing the cover from the vehicle.



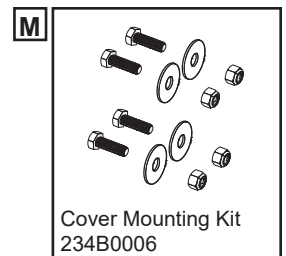
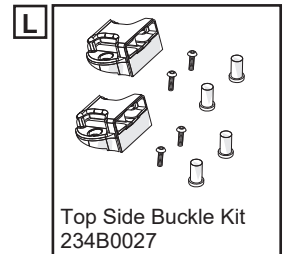
Remove any snow or foreign matter before folding the bed cover.

REPLACEMENT PARTS

Replacement parts can be ordered online at extang.com/replacement-parts or you can contact our Customer Service Department for assistance. When ordering, xxx represents the 3 digit suffix, as referenced on the sales receipt or vehicle application list.



Call Out	Title	Part Number	Description	Qty
A	Cover Assembly	80xxx-25	Cover panel assembly	1
B	Rail Right Hand	80xxx-66	RH side rail	1
C	Rail Left Hand	80xxx-65	LH side rail	1
D	Clamp Kit	226B0007	Rail clamp kit includes one pack of 6 clamps.	1
E	Bulkhead Seal	321A0008	Single length rolled seal	1
F	Drain Tube	31620024	Drain tube	2
G	Cab Bumper	321A0007	Cab bumper	3
H	Drain Cap	351A0004	Drain cap	2
I	Prop Rod	31855025	Prop rod	2
J	Prop Rod Clip	351B0024	Prop rod clip	2
K	Latch Mechanism Assembly	80xxx-77	Latch Mechanism Assembly	1
L	Top Side Buckle Kit	234B0027	Top side buckle kit includes two buckles, four screws and four threaded inserts.	1
M	Cover Mounting Kit	234B0006	Cover mounting kit includes four bolts, four metal washers and four nuts.	1
N	Shims	32625000	Shims are 1/2" x 6" x 1/8" thick.	4
N	Shims	100904	Shims are 1/2" x 6" x 1/16" thick.	4
O	Standard Rail end cap RH	351B0026	Standard Rail end cap RH	1
O	Standard Rail end cap LH	351B0025	Standard Rail end cap LH	1
O	Keyed Rail end cap RH	351B0080	Keyed Rail end cap RH (Titan and Tundra)	1
O	Keyed Rail end cap LH	351B0079	Keyed Rail end cap LH (Titan and Tundra)	1
O	Tacoma Rail end cap RH	351B0125	Tacoma Rail end cap RH	1
O	Tacoma Rail end cap LH	351B0124	Tacoma Rail end cap LH	1
O	JT Rail end cap RH	351B0115	JT Rail end cap RH	1
O	JT Rail end cap LH	351B0114	JT Rail end cap LH	1



* Specify, year, make, model, long or short bed, driver or passenger side.

LIMITED WARRANTY

WARRANTY COVERAGE

This truck bed cover is warranted against defects in materials or workmanship as follows. This warranty is void if the product has been damaged in an accident, or due to neglect, unforeseeable use, improper installation, improper servicing, or other cause not arising out of defects in material or workmanship.

The truck bed cover carries a limited warranty for five (5) years from the original date of purchase, subject to the terms below.

WARRANTY IS NOT TRANSFERABLE

The warranty is to the initial consumer purchasing the truck bed cover and it is not transferrable to a subsequent end user. Proof of purchase may be required to enforce these warranty rights.

WARRANTY CONDITIONS

Failure to follow these care and use instructions will void the warranty.

- Clean with mild automotive soap and water only.
- Cover must be secured at all points when vehicle is in motion. When not fully extended, cover must be completely folded up and secured at the cab with the provided buckle straps and tethers attached. Do NOT drive with the bed cover in a partially open position.
- Check all clamps and retention mechanisms for tightness after a week of driving following installation (or re-installation) of the cover and periodically thereafter.
- Before opening, cover must be free of all foreign materials including snow and ice.
- Do NOT tow your vehicle from the rear with the cover on your vehicle. If towing from the rear is required, the cover MUST be removed from the vehicle and properly stored.

WARRANTY PERFORMANCE

If all warranty conditions are met, a defective truck bed cover or hardware component will either be repaired or replaced (at our option). We reserve the right, for any warranty, to substitute a newer model or bed cover having similar form and function, to offer a warranty discount on an entire replacement system, and/or provide remedies other than those mentioned in this document.

WARRANTY PROCESS

A Return Authorization number must be obtained from our Customer Service Department prior to returning any product. We may require the original item to be returned postage prepaid for final determination. Shipping charges will apply for any repair or replacement. Other than postage or shipping charges, no charge will be made for repair or replacement under this warranty.

This warranty gives you specific legal rights. As a consumer, you may also have additional rights and remedies under the laws of your state.

WARRANTY REGISTRATION

Warranty registration must be on file and/or proof of original purchase (detailed and dated receipt) required for warranty to be effective.

Register online at <https://realtruck.com/extang-warranty>

**REGISTER
YOUR
WARRANTY
ONLINE**



SOMETHING DAMAGED? MISSING PARTS?

CALL US FIRST
800-877-2588

WE CAN HELP YOU QUICKLY AND EASILY OVER THE PHONE

Experienced Customer Service staff are available
to answer all your truck bed cover questions

CUSTOMER SERVICE HOURS

8:30 a.m. TO 6:00 p.m. EST, MONDAY-FRIDAY

Truck bed cover model: _____

Purchase date: _____

Lot code: _____

Lot code can be found on the underside of cover.