

Any damaged or missing parts?

Parts will be shipped to you directly.

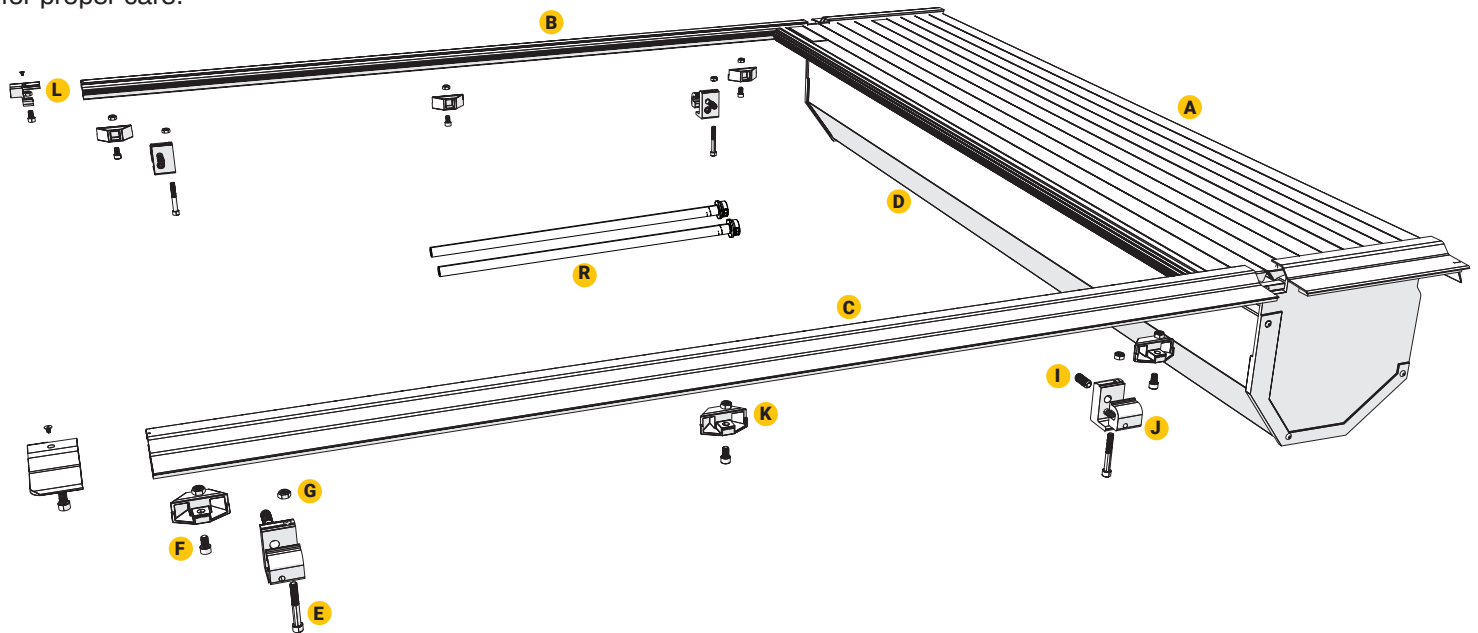
Call 800-206-4070 Mon - Fri, 8:30 a.m. - 5:00 p.m. CST
or email customersupport@retrax.com

CONTENTS:

Standard Bed cover Installation.....1
 Toyota Tundra 5.5' bed, '07 - '21.....6
 Ram 6.5' bed 1500, '09 - '18 and 2500/3500, '10 - '24.....7
 GMC/Chevy 1500, '19 - up; and 2500/3500 HD, '20 - up.....8
 Ford Ranger '19 - up..... 9-10

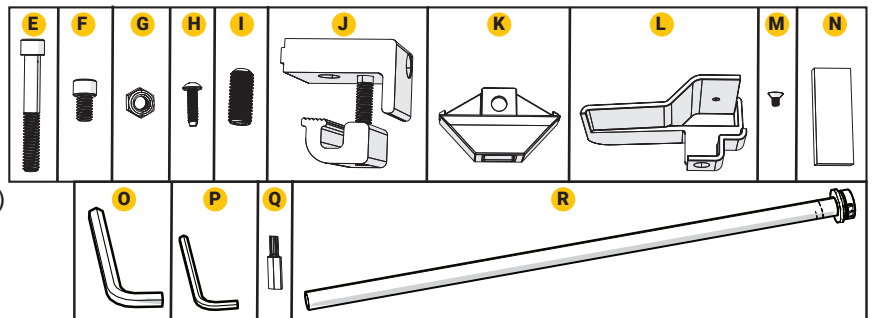
NOTE: Please read all instructions before assembling the bed cover.

Keep the boxes and packaging until the installation is complete. Unpack carefully to prevent scratching. DO NOT remove any protective films from the cover and canister until after the installation is complete. DO NOT USE A LUBRICANT OR THREAD-LOCKER ADHESIVE ON THE ROLLING COVER. USE OF THESE WILL VOID THE WARRANTY. See the maintenance page for proper care.



PARTS INCLUDED IN YOUR KIT

- A** 1x Front cover
- B** 1x Driver side rail
- C** 1x Passenger side rail
(Rail is designated by a green sticker)
- D** 1x Spiral canister
- E** 4x Fasteners (5/16-18x1.625), or for GM (5/16-18x2.25)
- F** 8x Fasteners (5/16-18x0.50)
- G** 12x 5/16 Nylon locknut
- H** 2x Torx screws (10-32x0.75)
- I** 4x Socket head nylon set screws (1/2-13x1.20)
- J** 4x Clamps (May vary depending on truck model)
- K** 6x Latch stops
- L** 2x Rail end caps
- M** 2 Screws (6-32x0.250)
- N** 1x 1/8" Thick measurement tool
- O** 1x 6mm Allen wrench
- P** 1x 5/64" Allen wrench
- Q** 1x T-25 Torx bit
- R** 2x Drain tubes

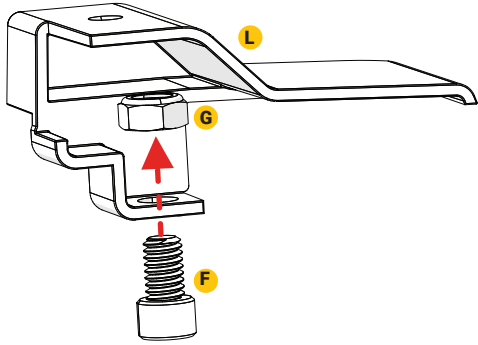


TOOLS REQUIRED

- Tape measure
- Hex handle or driver

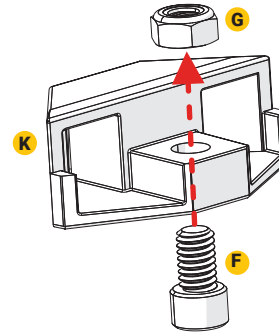
1 Assemble the rail end caps:

Insert the 5/16-18x0.50 bolt (F) through the hole in the bottom of the rail end cap (L). Start by threading the 5/16" nylon lock nut (G) onto the bolt, Leave the nut loose for later installation. Repeat for both end caps.



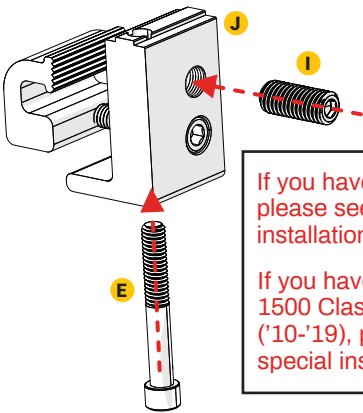
2 Assemble the latch stops:

Insert the 5/16-18x0.50 bolt (F) through the hole in the bottom of the latch stop (K). Start by threading the 5/16" nylon lock nut (G) onto the bolt. Leave the nut loose for later installation. Repeat for all of the latch stops.



3 Assemble the clamp:

Thread the nylon set screw (I) into the side of the clamp (J). Repeat for all of the clamps. Thread 5/16-18x1.625 bolt (E), or the 5/16-18x2.25 bolt (E) for GM into the bottom of the clamp. Repeat for all of the clamps.

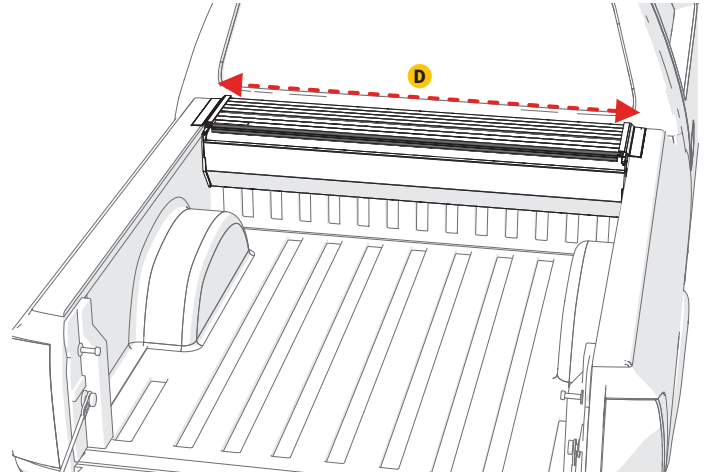


If you have a 2019-up Ford Ranger, please see page 9 for special installation instructions.

If you have RAM 6.5ft. bed ('09-'18), 1500 Classic ('19) & 2500/3500 ('10-'19), please see page 7 for special installation instructions.

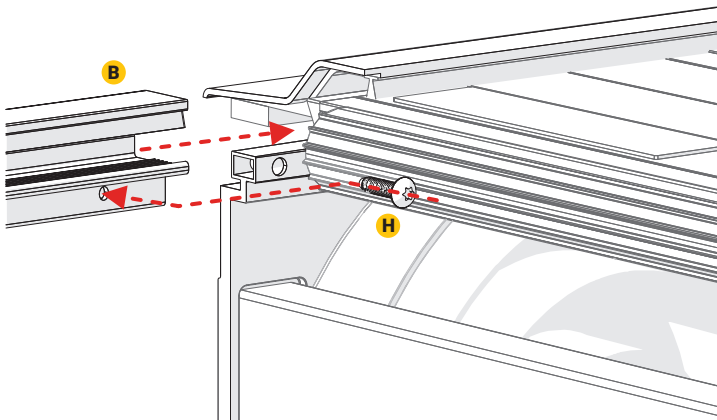
4A Assemble the cover on the truck bed:

Place the canister assembly (D) onto the truck bed bulkhead and bed rails. Make sure the canister assembly (D) is centered across the width of the truck.

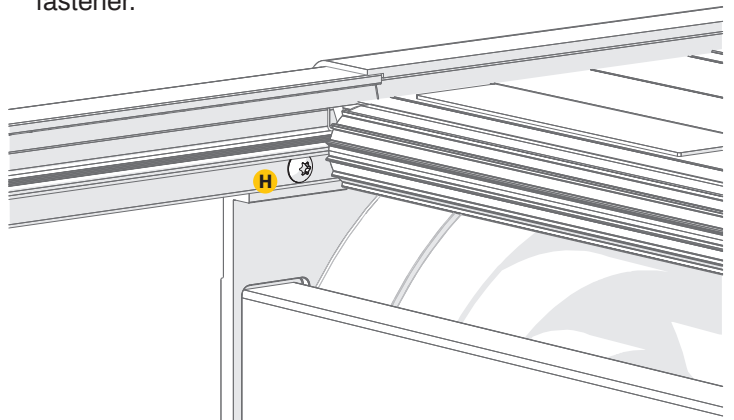


4B Assemble the cover on the truck bed:

Slide the rails (B & C) into the canister tabs, and align the hole in the rail with the hole in the canister tab. Insert the 10-32x0.750 Torx screw (H) and tighten the screws to be flush and touching the surface of the rail.

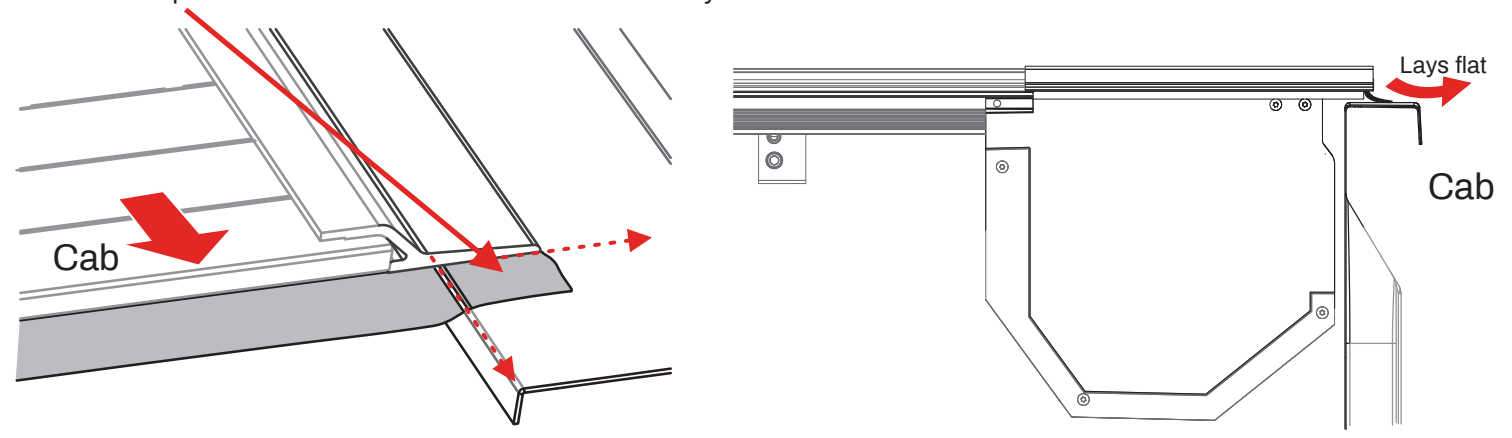


The head of the screws (H) will protrude slightly from the hole on the back side of the rail. Tighten fully, using the T-25 Torx bit (Q). **NOTE:** the fastener will be tight and require force when installing due to the self-tapping feature of the fastener.

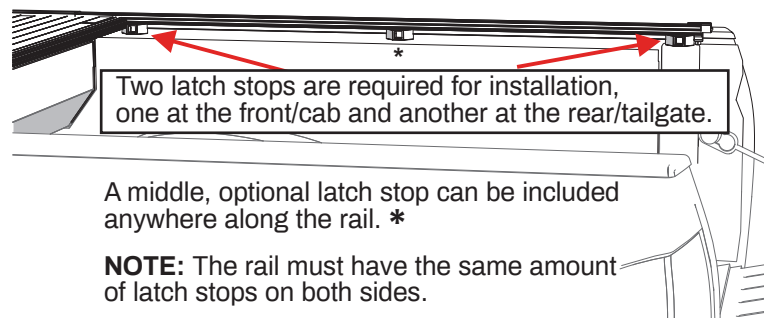


4C Assemble the cover on the truck bed:

NOTE: With the cover in place, the front seal must lay flat across the truck bed bulkhead, but must also not extend past the bed rail cap. Trim the seal as needed to ensure that it lays flat.



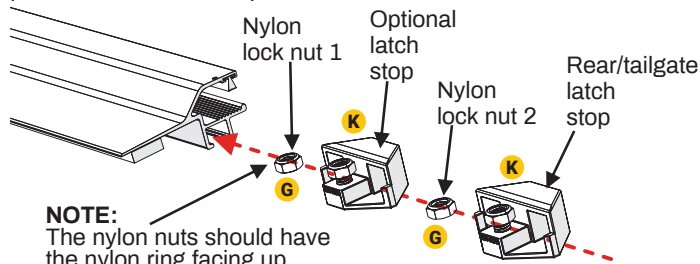
5 Insert latch stops:



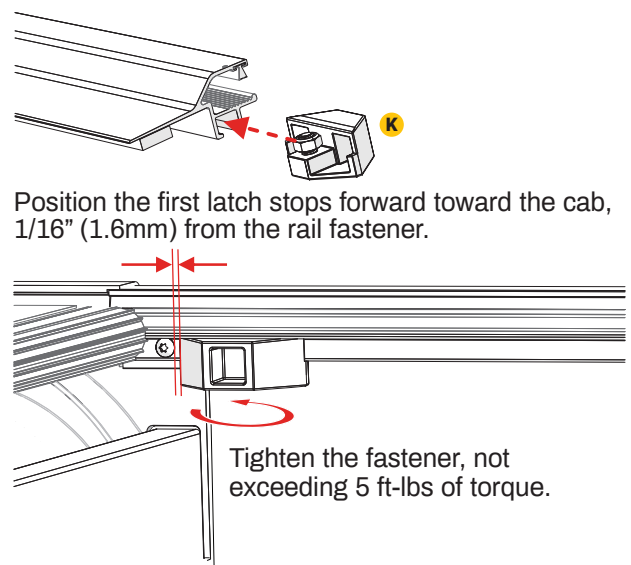
A middle, optional latch stop can be included anywhere along the rail. *

NOTE: The rail must have the same amount of latch stops on both sides.

5b- After the front/cab latch stop, slide the remaining stops in coordination with the clamp nuts in the order shown. They will be positioned in a later step.

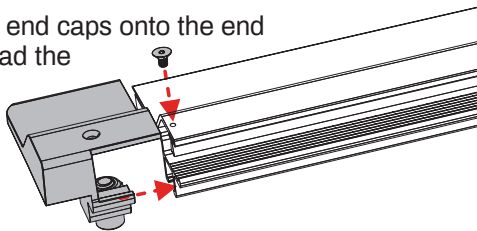


5a - Slide one assembled latch stop (K) into each side rail.

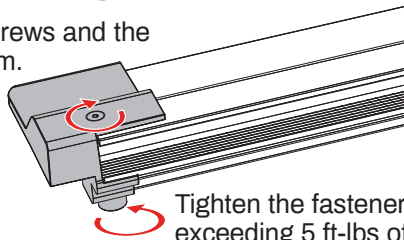


6 Attach the rail end caps and position the cover:

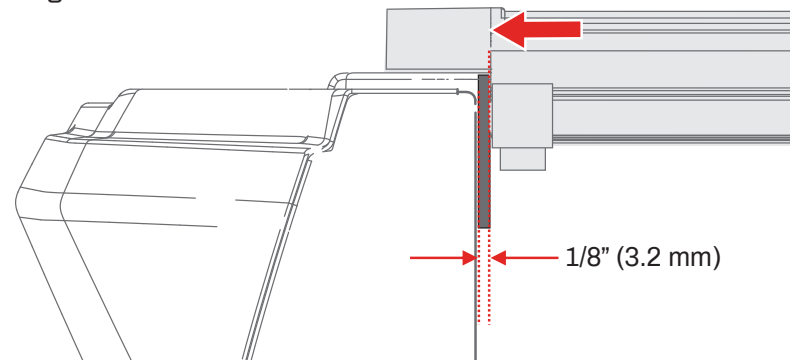
6a - Slide the rail end caps onto the end of each rail. Thread the screw through the top and into the rail.



Tighten the top screws and the bolts on the bottom.

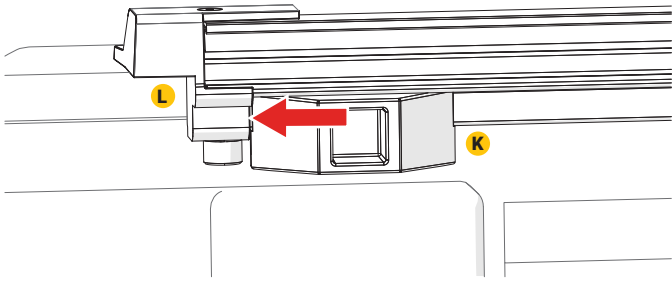


6b - Move the cover back toward the tailgate and use the 1/8" spacer (N) to position both rails to be 1/8", (3.2mm) from the tailgate.



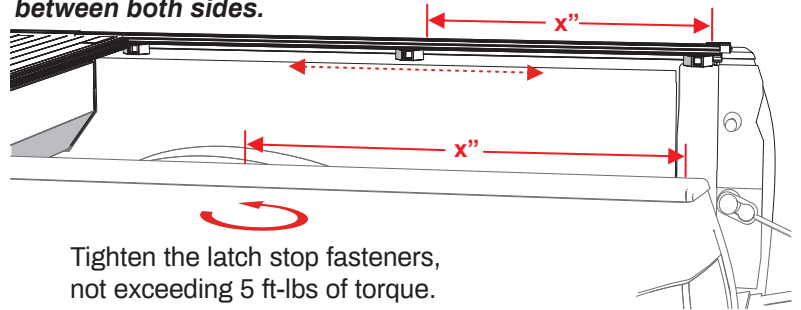
7 Position the rear/tailgate and optional latch stops:

7a - Position the rear/tailgate latch stop (K) to be flush against the rail end cap (L).



7b - Optional latch stops (K) can be placed anywhere along the rail.

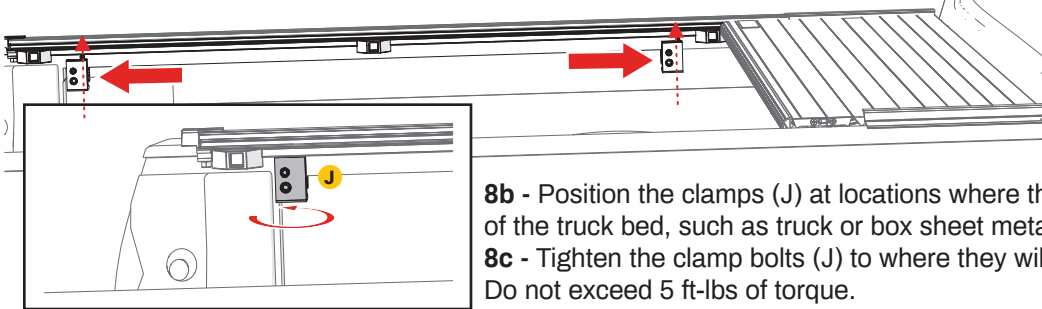
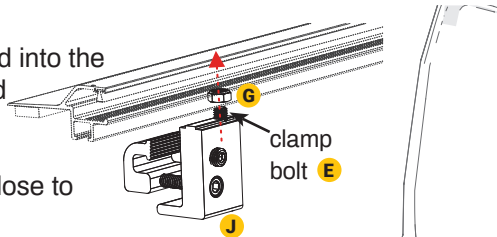
The rail must have the same amount of latch stops on both sides.
And it is crucial that latch stops are positioned evenly between both sides.



Tighten the latch stop fasteners, not exceeding 5 ft-lbs of torque.

8 Install the clamps:

8a - Locate the nylon locknuts (G) installed into the rails in Step 5. Slide one nut as far forward toward the cab as possible, and the second as far rear toward the tailgate as possible. Thread the clamp bolts (E) into the nut. Position the clamps (J) as close to the latch stops as possible.



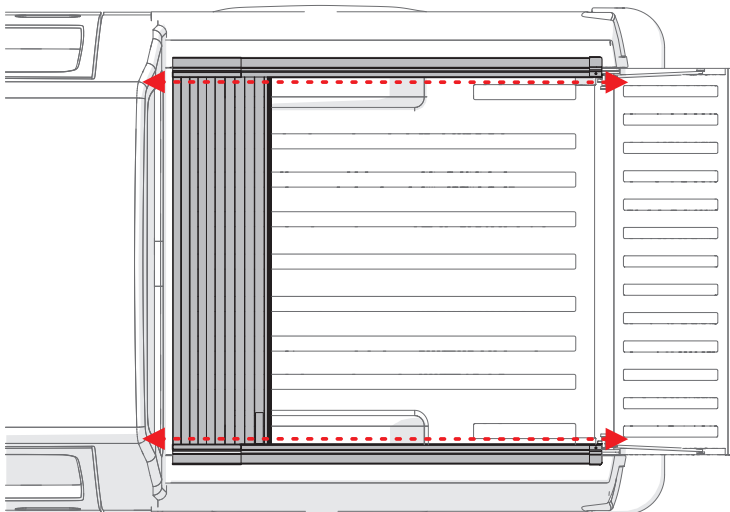
8b - Position the clamps (J) at locations where there are no obstructions from any parts of the truck bed, such as truck or box sheet metal geometry, plastic bed rail caps, etc.

8c - Tighten the clamp bolts (J) to where they will no longer slide in the rail channel. Do not exceed 5 ft-lbs of torque.

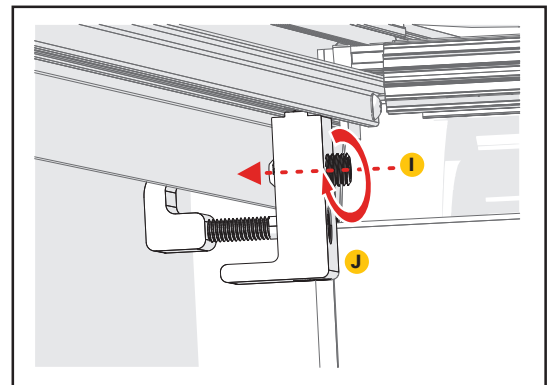
If you have a 2007-up Toyota Tundra, please see page 6 for special installation instructions.
If you have a 2019-up GMC/Chevy, please see page 8 for special installation instructions.
If you have a 2019-up Ford Ranger, please see page 11 for special installation instructions.

9 Align the rails:

9a - Align the cover rails with the spiral rail section so that they are in a straight line.



9b - Turn each of the nylon set screws (I) in each clamp (J) until it contacts the truck bed rail.



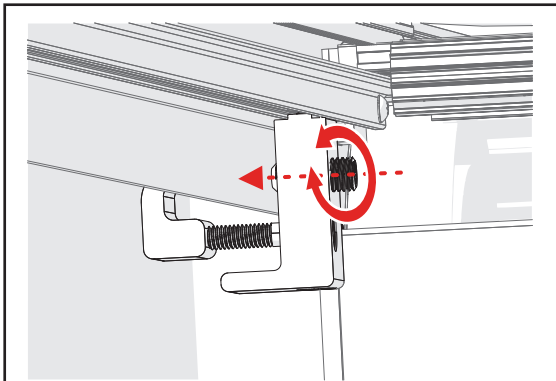
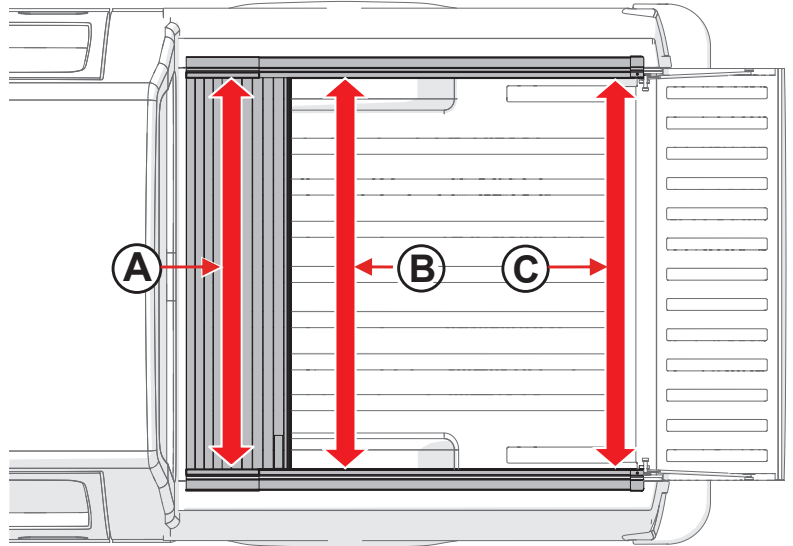
10 Measure and adjust the position of the rails:

10a - Measure the distance at point A

(on top of the front cover).

10b - Then measure the distance at points B & C (above each clamp). They must measure the same, within 1/16", as at point -- A.

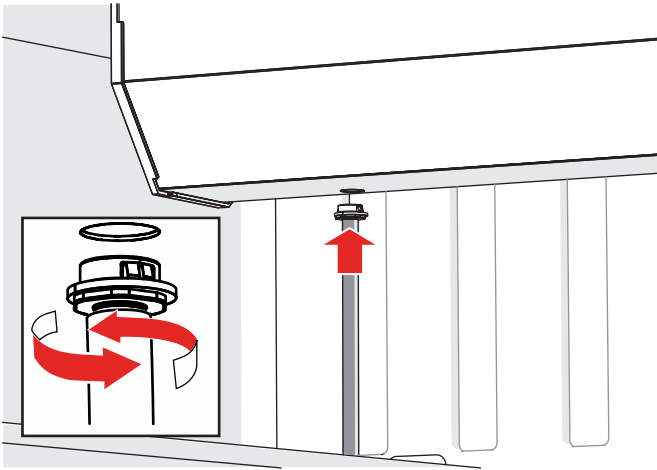
10c - If adjustments need to be made, loosen the clamp and turn the nylon set screw in or out to make the rails parallel.



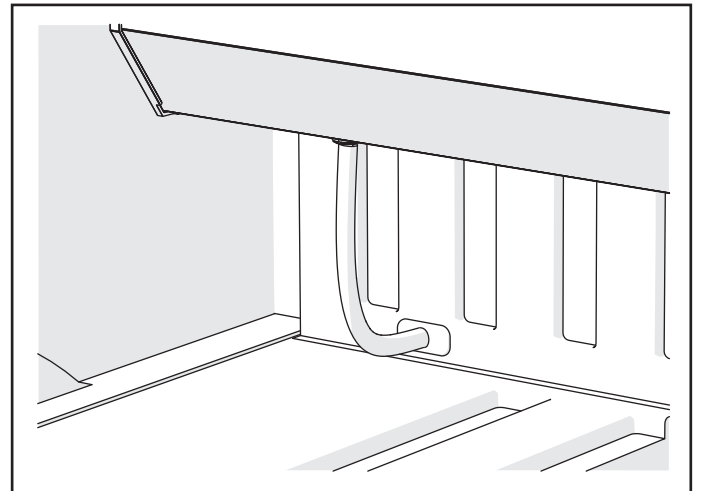
When fully adjusted, re-tighten all of the clamps to secure the cover to the truck.

11 Install the drain tubes:

11a - Insert the drain tube into the canister on both sides, rotate to the right, clockwise, the fitting will click twice when secure.

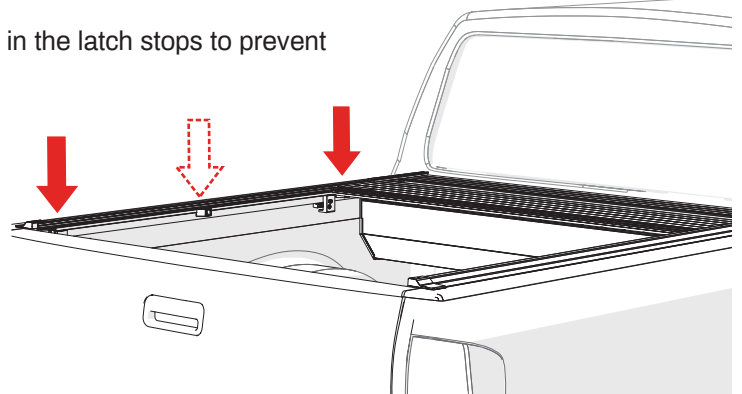


11b - Generally the drain tubes will be routed out through a hole drilled in the factory bed plug. Otherwise a suitable existing hole must be utilized. Or a new hole can be drilled taking great caution to be aware of lines and anything behind where the hole is drilled.



12 Final note:

When the cover is not in use, make certain it is secured in the latch stops to prevent the cover from rolling.



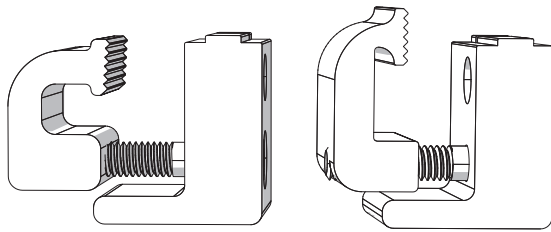
Toyota Tundra 5.5 Ft. bed 2007-2021 Installation

NOTE: Check the parts shown here, this model has 2 different styles of clamps and different mounting instructions.

PARTS INCLUDED IN YOUR KIT

J 2x Clamps

Clamps (2) that will be used at the **TAILGATE** end of the rail in Step 8.



Clamps (2) that will be used at the **CAB** end of the rail in Step 8.

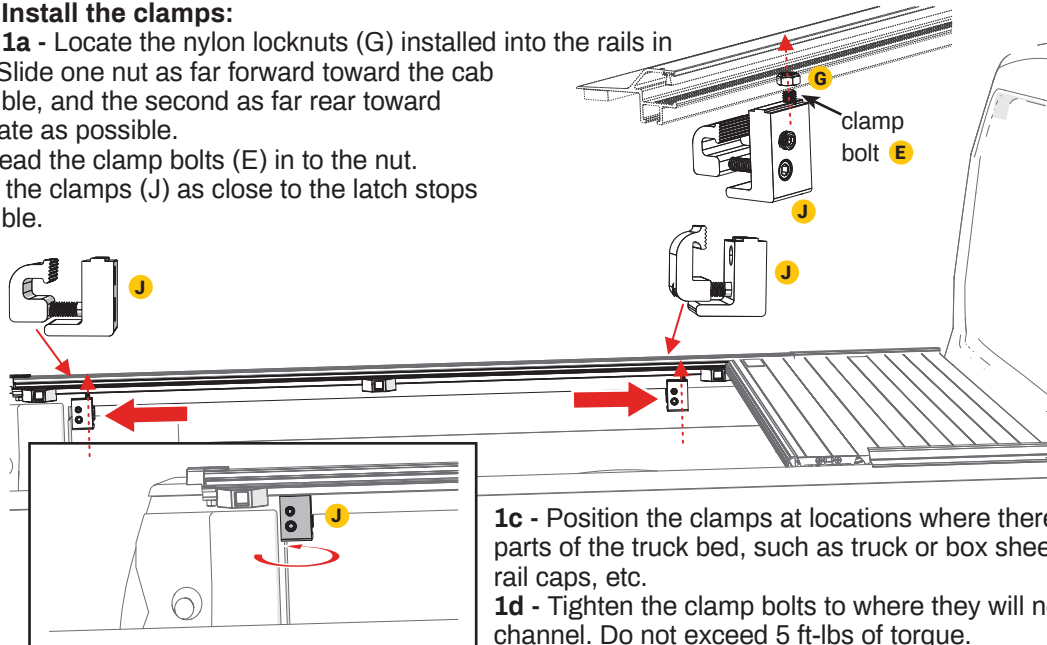


Continue with the instructions on page 2, then refer back to this page for Toyota Tundra 5.5 bed, '07-up clamp specific install steps.

1 Install the clamps:

1a - Locate the nylon locknuts (G) installed into the rails in Step 5. Slide one nut as far forward toward the cab as possible, and the second as far rear toward the tailgate as possible.

1b - Thread the clamp bolts (E) in to the nut. Position the clamps (J) as close to the latch stops as possible.



1c - Position the clamps at locations where there are no obstructions from any parts of the truck bed, such as truck or box sheet metal geometry, plastic bed rail caps, etc.


1d - Tighten the clamp bolts to where they will no longer slide in the rail channel. Do not exceed 5 ft-lbs of torque.



Continue with the rest of the installation instructions at Step 9, page 4.

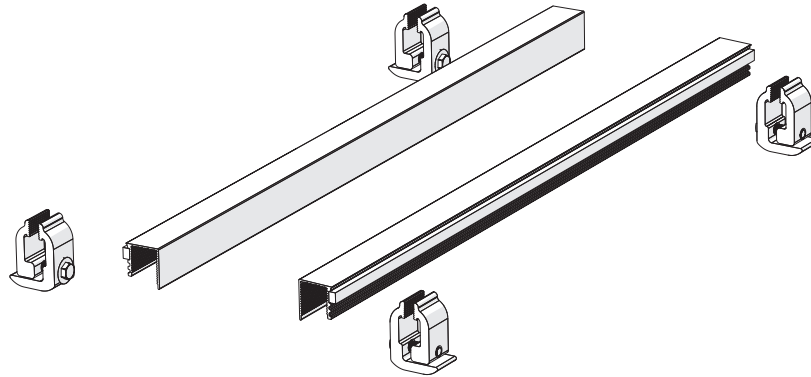
RAM 6.5 ft. bed ('09 - '18), 1500 Classic ('19) & 2500/3500 ('10 - '24) installation

NOTE: Check the parts shown here, this model has 2 different styles of clamps and different mounting instructions.

 Complete steps 1 through 3 in the beginning of the manual, then refer back to this page for the specific RAM 6.5 ft bed install step.

PARTS INCLUDED IN YOUR KIT

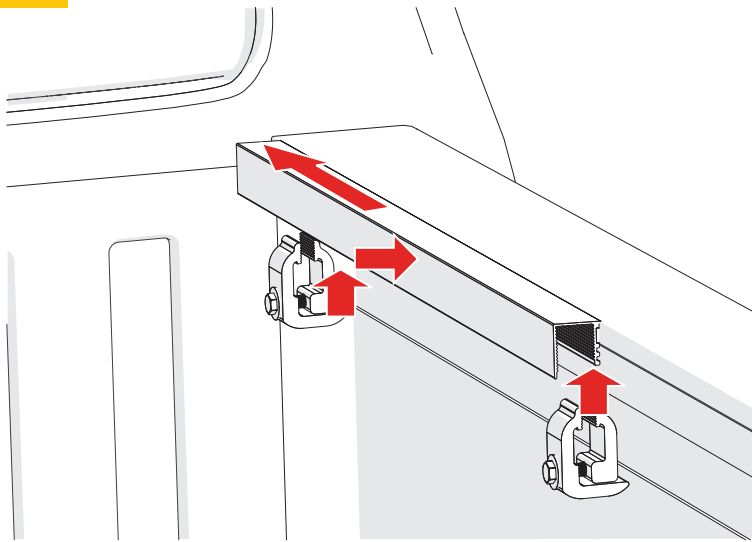
- 2x RAM mounting rails
- 4x RAM clamps



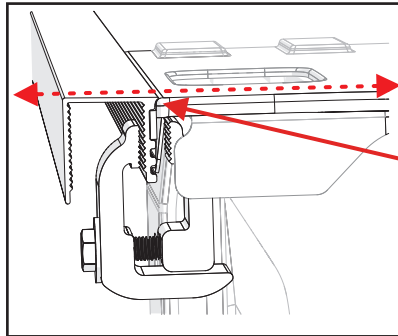
TOOLS REQUIRED

- 9/16" Wrench or socket

1 Position the rails, attach the clamps:



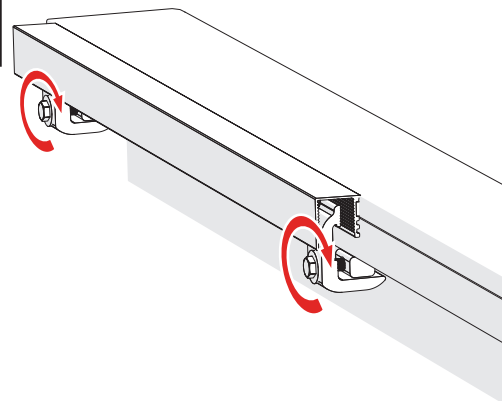
- 1a** - Position the rails onto the truck bed rails. One on both sides. The rails need to be as far forward toward the front/cab as possible. The rail should be contacting the front wall/bulkhead.
- 1b** - Install the clamps to grip the rail to the truck bed rail. The front/cab clamp should be as far forward as possible. The second/rear clamp should be within a few inches from the end of the rail. Tighten the clamps to hold the rail in place.



- 1c** - The top of rail should be parallel with the top of the truck rail cap.

The rail should mate up closely to the truck rail cap. The radius of the rail meets the radius of the truck rail cap.

With the rail properly positioned, tighten the clamps.



Return to Step 4, page 2, of the main installation instructions for the remainder of the install procedure.

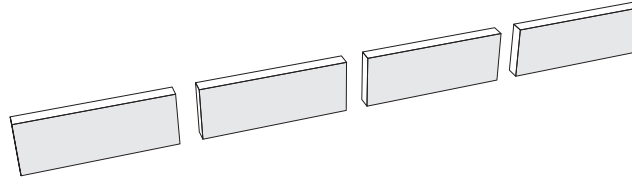
GMC/Chevy 1500 5.8 ft. bed and 6.4 ft. bed 1500 ('19-up) & 2500/3500 6.9 ft. HD bed ('20-up) installation

NOTE: Check the parts shown here, this model has 2 different styles of clamps and different mounting instructions.

 Complete steps 1 through 7 in the beginning of the manual, then refer back to this page specific '19-up GMC/Chevy 1500 installation steps.

PARTS INCLUDED IN YOUR KIT

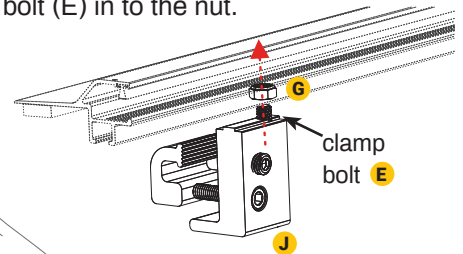
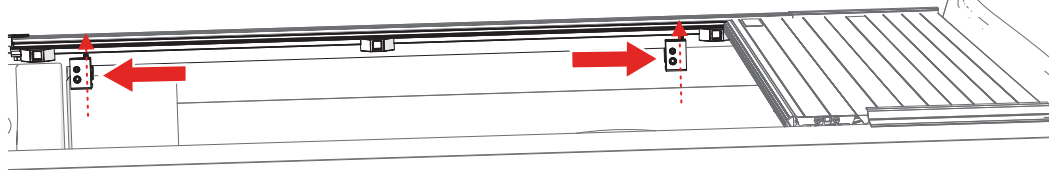
- 4x Adhesive backed rubber shims



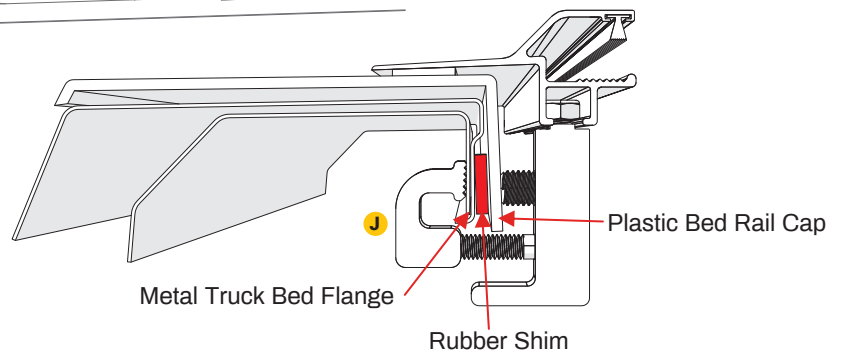
1 Position the clamps and rubber shims:

1a - Locate the nylon locknuts (G) installed into the rails in Step 5. Slide one nut as far forward toward the cab as possible, and the second as far rear toward the tailgate as possible. Thread the clamp bolt (E) in to the nut. Position the clamps (J) as close to the latch stops as possible.

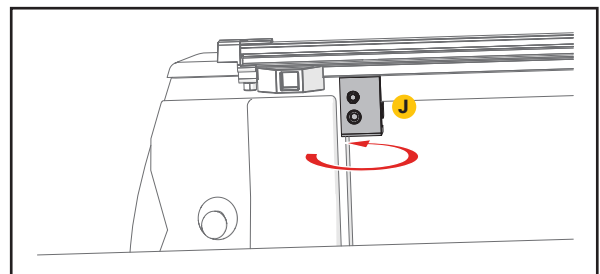
1b - Position the clamps at locations where there are no obstructions from any parts of the truck bed, such as truck or box sheet metal geometry, plastic bed rail caps, etc.



1c - Once the clamps (G) are correctly positioned, rubber shims need to be placed between the steel flange of the truck bed and the plastic flange of the truck bed rail cap. The shims need to be placed directly behind the clamps. Peel the backing from the shim and adhere the shim to the inside of the plastic flange.



1d - Tighten the clamp bolts (J) to where they will no longer slide in the rail channel. Do not exceed 5 ft-lbs of torque.



Return to Step 9, page 4, of the main installation instructions for the remainder of the install procedure.

Ford Ranger 2019-up Installation

NOTE: Check the parts shown here, this model has different requirements than the standard parts.

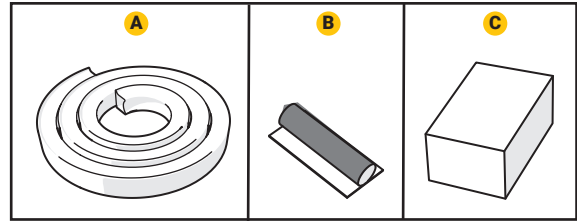
 **Complete steps 1 through 3 in the beginning of the manual, then refer back to this page for the specific Ford Ranger '19-up installation.**

PARTS INCLUDED IN YOUR KIT

- A** 1x Bulkhead seal
- B** 2x Rubber sealant
- C** 2x Foam block seals

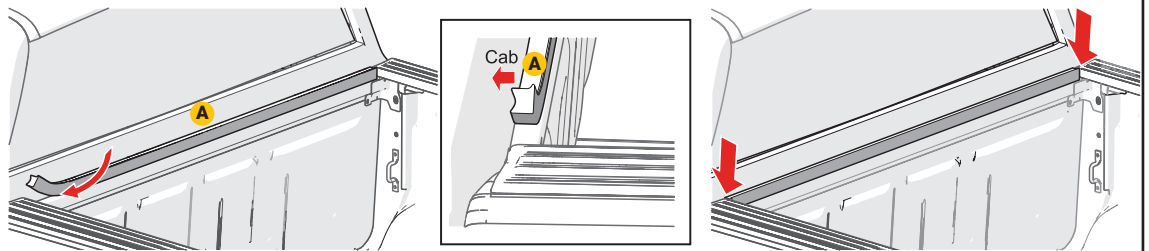
TOOLS REQUIRED

- Isopropyl alcohol



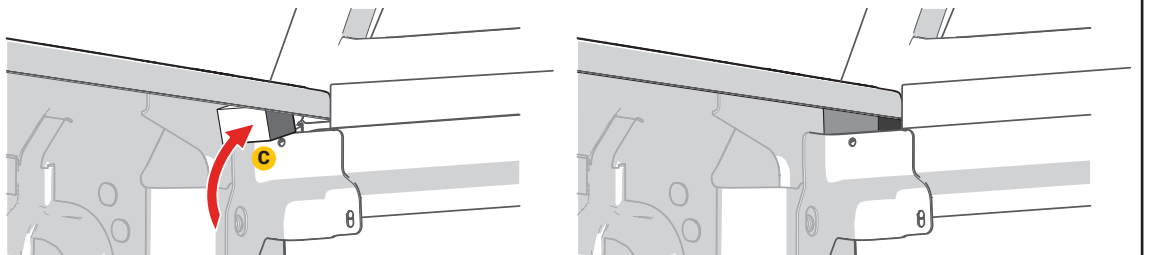
1 Install bulkhead foam seal:

Clean the top of the bulkhead with soap and water to remove dirt and debris. Clean the area with isopropyl alcohol to remove wax or grease and to evaporate any remaining water. Allow the surface to dry. Peel off the paper adhesive backing and apply the foam seal (A) to the top of the bulkhead. The seal should be oriented as shown, flush with the inside face and snug between the bed rail caps.



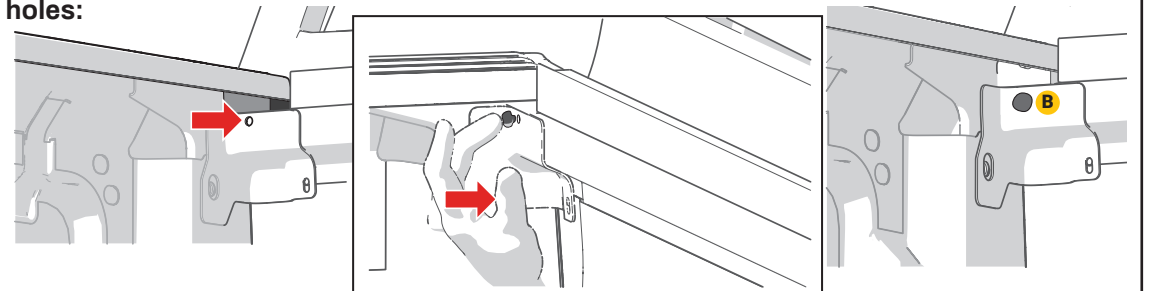
2 Install the foam block seals:

Clean the top of the bulkhead underneath the bed rail cap with isopropyl alcohol to remove wax or grease and to evaporate any remaining water. Allow the surface to dry. Peel off the paper adhesive cover and apply the foam block seal (C) to the top of the bulkhead and underneath the bed rail cap. Install one foam block on each side. Apply pressure evenly to the entire seal to ensure proper adhesion.



3 Plug the bulkhead face holes:

Plug the small holes in the corner of the bulkhead face. Use a portion of the rubber sealant (B) provided to plug the holes indicated. Plug the hole on both sides.



Return to Step 4, page 2, of the main installation instructions for the remainder of the install procedure.

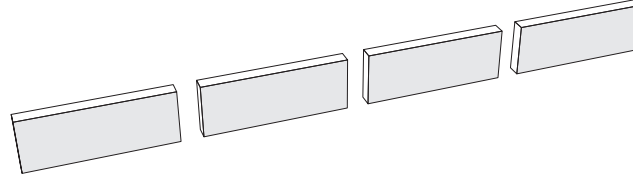
Ford Ranger 2019-up Installation

NOTE: Check the parts shown here, this model has different requirements than the standard parts.

 **Complete steps 1 through 7 in the beginning of the manual, then refer back to this page specific '19-up GMC/Chevy 1500 installation steps.**

PARTS INCLUDED IN YOUR KIT

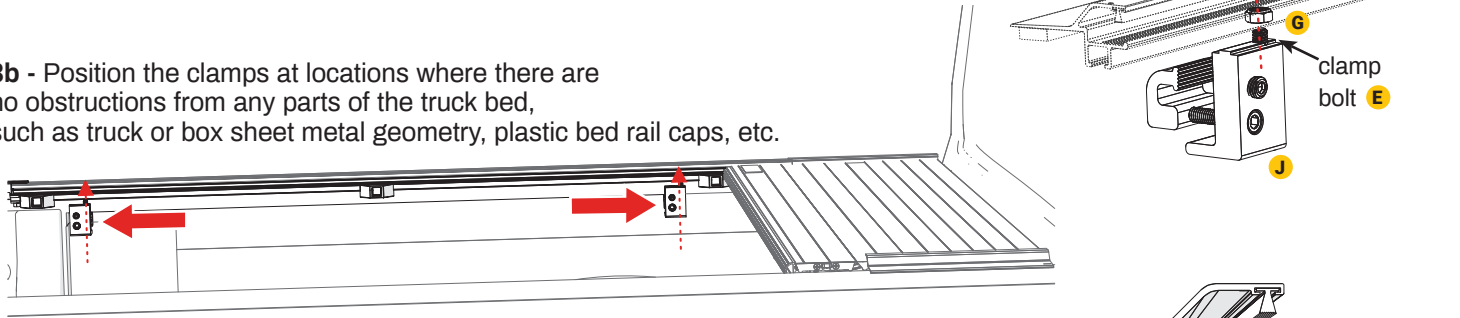
- 4x Plastic shims



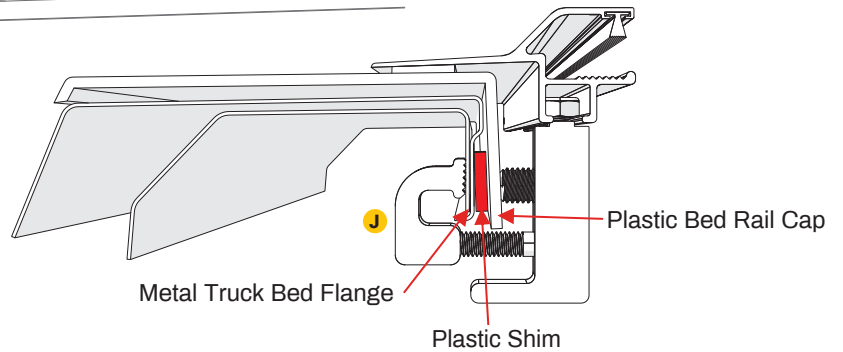
3 Position the clamps and rubber shims:

3a - Locate the nylon locknuts (G) installed into the rails in Step 5. Slide one nut as far forward toward the cab as possible, and the second as far rear toward the tailgate as possible. Thread the clamp bolt (E) in to the nut. Position the clamps (J) as close to the latch stops as possible.

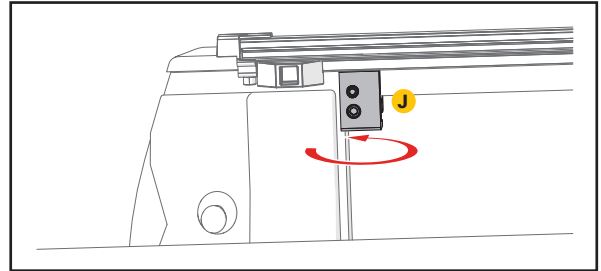
3b - Position the clamps at locations where there are no obstructions from any parts of the truck bed, such as truck or box sheet metal geometry, plastic bed rail caps, etc.



3c - Once the clamps (G) are correctly positioned, rubber shims need to be placed between the steel flange of the truck bed and the plastic flange of the truck bed rail cap. The shims need to be placed directly behind the clamps. Peel the backing from the shim and adhere the shim to the inside of the plastic flange.



3d - Tighten the clamp bolts (J) to where they will no longer slide in the rail channel. Do not exceed 5 ft-lbs of torque.



Return to Step 9, page 4, of the main installation instructions for the remainder of the install procedure.

LIMITED WARRANTY

WARRANTY COVERAGE

This truck bed cover is warranted against defects in materials or workmanship as follows. This warranty is void if the product has been damaged in an accident, or due to neglect, unforeseeable use, improper installation, improper servicing, or other cause not arising out of defects in material or workmanship.

Retrax IX - The truck bed covers carries a limited warranty for **two (2) years** from the original date of purchase, subject to the terms below.

WARRANTY IS NOT TRANSFERABLE

The warranty is to the initial consumer purchasing the truck bed cover and it is not transferable to a subsequent end user. Proof of purchase may be required to enforce these warranty rights.

WARRANTY CONDITIONS

Failure to follow these care and use instructions will void the warranty:

- Clean with mild automotive soap and water only. Do not use any strong chemicals or cleaners. Lubrication of the rails or sealed ball bearings will void the warranty.
- Cargo must be secured at all points when the vehicle is in motion. Failure to adequately secure the cover or tether strap can result in damage and will void the warranty.
- Check all clamps and retention mechanisms for tightness after a week of driving following installation (or re-installation) of the cover and periodically thereafter.
- Before opening, the cover must be free of all foreign materials including snow and ice.
- DO NOT tow your vehicle from the rear with the cover on your vehicle. If towing from the rear is required, the cover MUST be removed from the vehicle and properly stored.

WARRANTY PERFORMANCE

If all warranty conditions are met, a defective truck bed cover or hardware component will either be repaired or replaced (at our option). We reserve the right, for any warranty, to substitute a newer model or bed cover having a similar form and function, to offer a warranty discount on an entire replacement system, and/or provide remedies other than those mentioned in this document.

WARRANTY RETURN

A Return Material Authorization number must be obtained from our Customer Service Department prior to returning any product. We may require the original item to be returned postage prepaid for final determination. Shipping charges will apply for any repair or replacement. Other than postage or shipping charges, no charge will be made for repair or replacement under this warranty.

This warranty gives you specific legal rights. As a consumer, you may also have additional rights and remedies under the laws of your state.

Register online at <https://realtruck.com/retrax-warranty>.

**REGISTER
YOUR
WARRANTY
ONLINE**



Serial Number _____

Date of Purchase _____

IX Couvre-caisse rétractable pour camion

Instructions d'installation et garantie

Any damaged or missing parts?

Parts will be shipped to you directly.

Call 800-206-4070 Mon - Fri, 8:30 a.m. - 5:00 p.m. CST

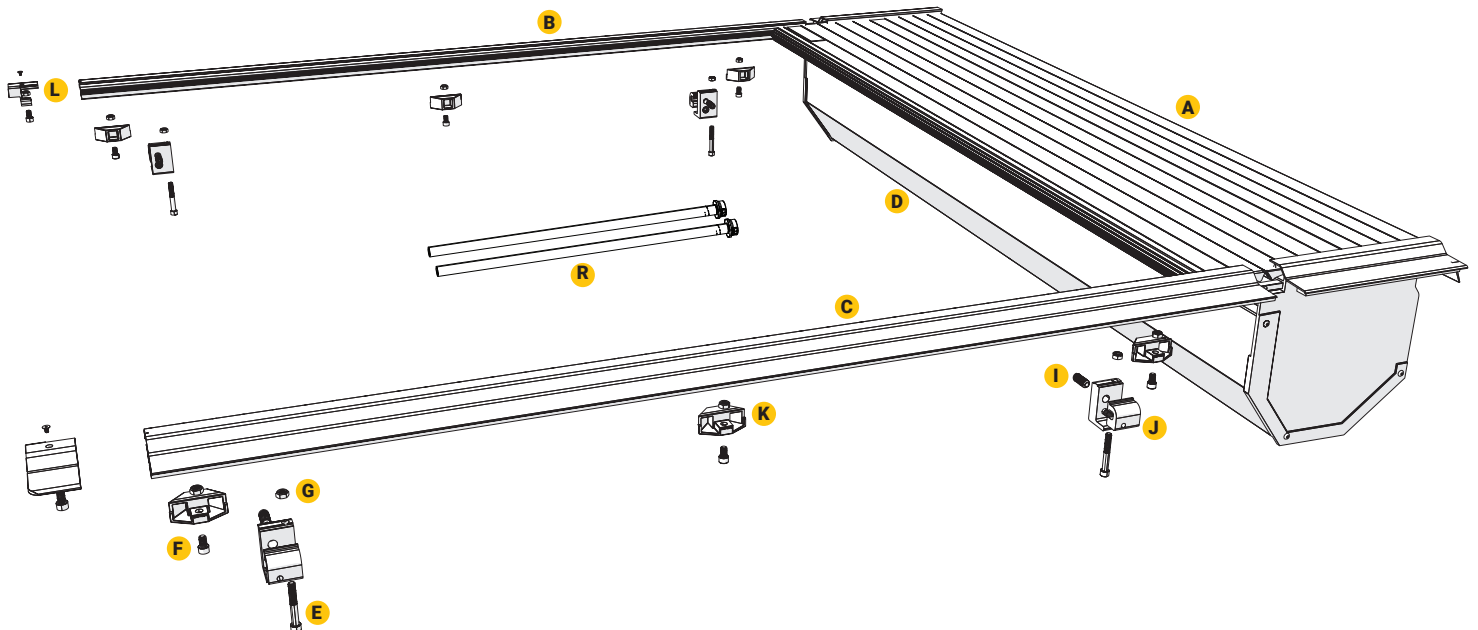
or email customersupport@retrax.com

CONTENTS:

Standard Bed cover Installation.....	1
Toyota Tundra 5.5' bed, '07 - '21.....	6
Ram 6.5' bed 1500, '09 - '18 and 2500/3500, '10 - '24.....	7
GMC/Chevy 1500, '19 - up; and 2500/3500 HD, '20 - up.....	8
Ford Ranger '19 - up.....	9-10

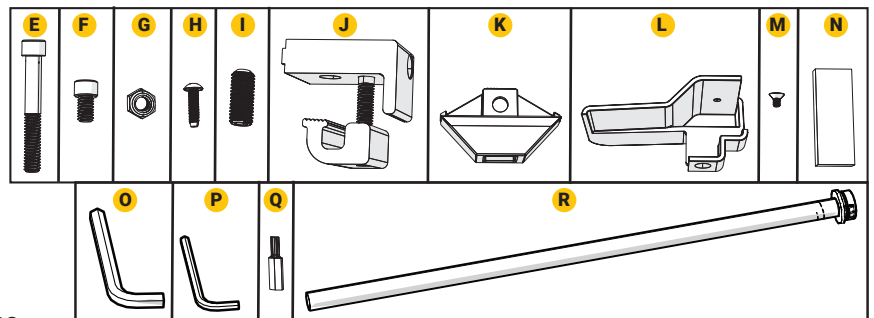
Directives de préassemblage

Veillez lire toutes les consignes avant de monter le couvre-caisse du camion. Conservez les boîtes et l'emballage jusqu'à ce que l'installation soit terminée. Déballez avec précaution pour éviter les égratignures. NE PAS retirer les films protecteurs du couvre-caisse et du caisson tant que l'installation n'est pas terminée. NE PAS UTILISER DE LUBRIFIANT OU DE PRODUIT DE MARQUE LOCTITE SUR LE COUVRE-CAISSE COULISSANT. LEUR UTILISATION ANNULERA LA GARANTIE.



LISTE DE VÉRIFICATION DES PIÈCES

- A** 1x Couverture avant
- B** 1x Rail côté conducteur / côté gauche
- C** 1x Rail côté passager / côté droit
- D** 1x Caisson spiralé
- E** 4x Fixations de 5/16-18 x 1,625 po ou fixations pour GM de 5/16-18 x 2,25 po
- F** 8x Fixations 5/16-18 x 0,5 po
- G** 12x Contre-écrous en nylon de 5/16 po
- H** 2x Vis Torx de 10-32 x 0,75 po
- I** 4x Vis d'arrêt à six pans creux en nylon de 1/2-13x1,20 po
- J** 4x Pinces – Peuvent varier selon le modèle de camion G
- K** 6x Butées de verrouillage
- L** 2x Embouts de rail
- M** 2 Vis de 6-32 x 0,25 po
- N** 1x Outil de mesure d'épaisseur de 1/8 po
- O** 1x Clé Allen de 6 mm
- P** 1x Clé Allen de 5/64 po
- Q** 1x Mèche Torx T25
- R** 2x Tuyaux de vidange

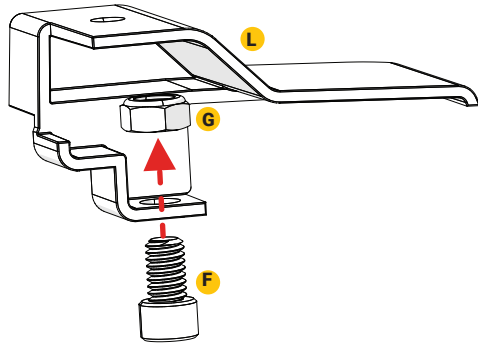


Outils nécessaires

- Outils non fournis

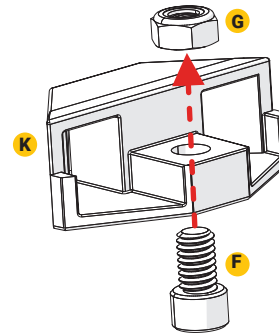
1 Montage des embouts de rail:

Insérez le boulon de 5/16-18 x 0,50 po dans l'orifice situé dans la partie inférieure de l'embout du rail. Commencez par visser le contre-écrou de 5/16 po en nylon sur le boulon, laissez l'écrou desserré pour une installation ultérieure. Répétez l'opération pour les deux embouts.



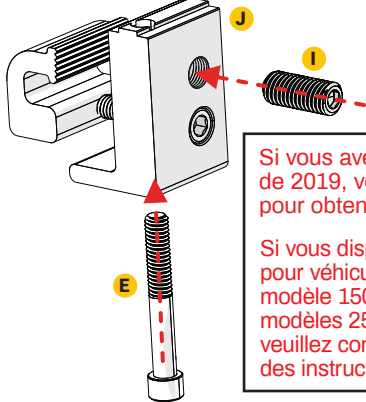
2 Installation des butées de verrouillage:

Insérez le boulon de 5/16-18 x 0,50 po dans l'orifice situé dans la partie inférieure de la butée de verrouillage. Commencez par visser le contre-écrou de 5/16 po en nylon sur le boulon, laissez l'écrou desserré pour une installation ultérieure. Répétez l'opération pour toutes les butées de verrouillage.



3 Montage des pinces:

Vissez la vis d'arrêt en nylon sur le côté de la pince. Répétez l'operation pour toutes les pinces. Vissez le boulon de 5/16-18 x 1,625 po ou le boulon de 5/16-18 x 2,25 po pour le GM sur la partie inférieure de la pince. Répétez l'opération pour toutes les pinces.

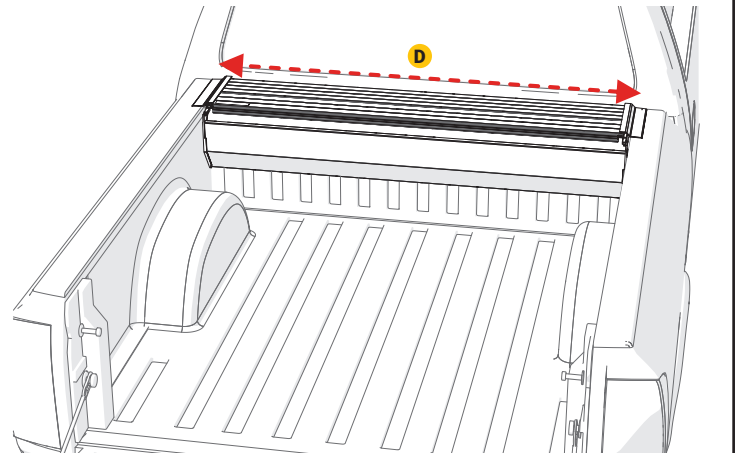


Si vous avez un Ford Ranger à partir de 2019, veuillez consulter la page 9 pour obtenir des instructions d'installation.

Si vous disposez d'un plateau de 6,5 pi pour véhicule RAM (de 2009 à 2018), de modèle 1500 Classic (de 2019) et de modèles 2500/3500 (de 2010 à 2019), veuillez consulter la page 7 pour obtenir des instructions d'installation spécifiques.

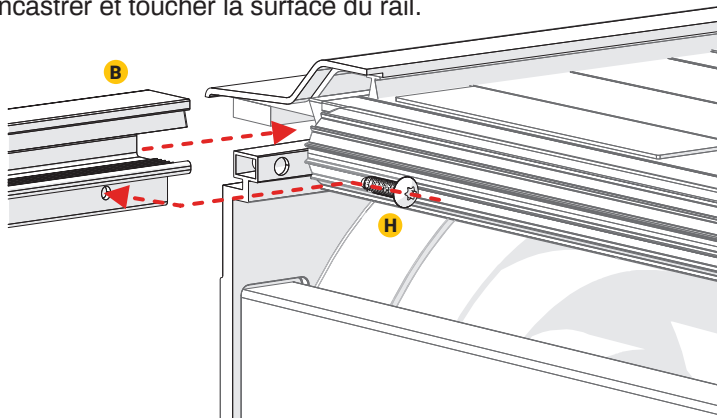
4A Installation du couvre-caisse sur la plate-forme du camion:

Placez l'ensemble du caisson sur la cloison de la plate-forme du camion et les rails du plateau. Assurez-vous que l'ensemble du caisson est centré sur la largeur du camion.

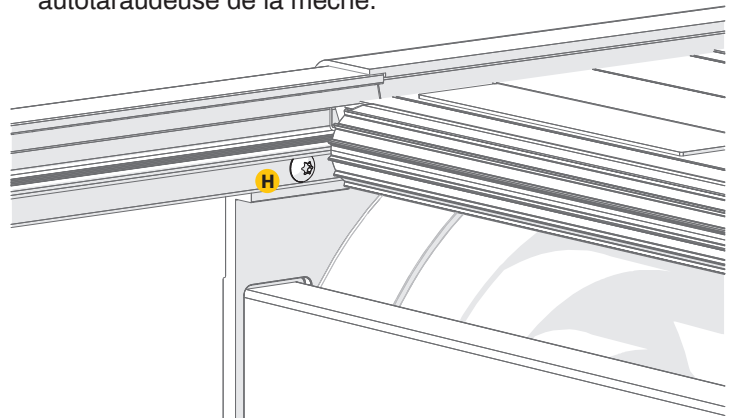


4B Installation du couvre-caisse sur la plate-forme du camion:

Faites glisser les rails dans les languettes du caisson et alignez l'orifice du rail avec l'orifice de la languette du caisson. Insérez la vis Torx de 10-32 x 0,75 po et serrez les vis pour les encastrer et toucher la surface du rail.

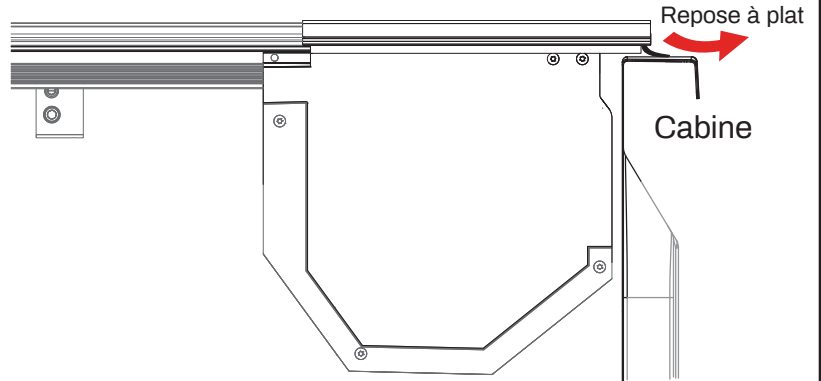
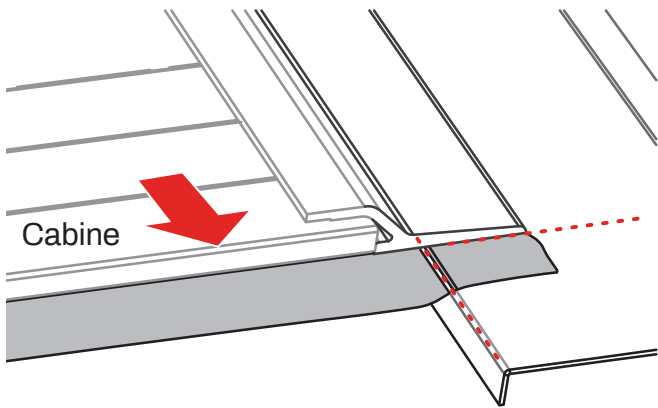


La tête des vis dépasse légèrement l'orifice situé à l'arrière du rail. Serrez complètement à l'aide de la mèche Torx T25. Remarque : la fixation sera serrée et nécessitera l'exercice de la force lors de l'installation en raison de la fonction autotaraudeuse de la mèche.

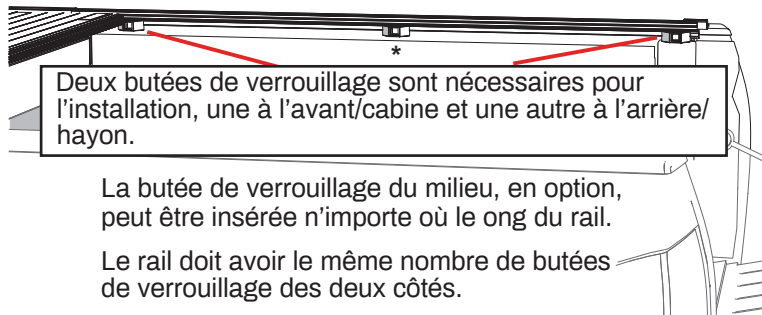


4C Installation du couvre-caisse sur la plate-forme du camion:

REMARQUE: Une fois le couvercle en place, le joint d'étanchéité avant doit reposer à plat sur la cloison de la plate-forme du camion, mais il ne doit pas non plus dépasser l'embout du rail. Coupez le joint au besoin pour s'assurer qu'il repose à plat.



5 Insertion des butées de verrouillage:

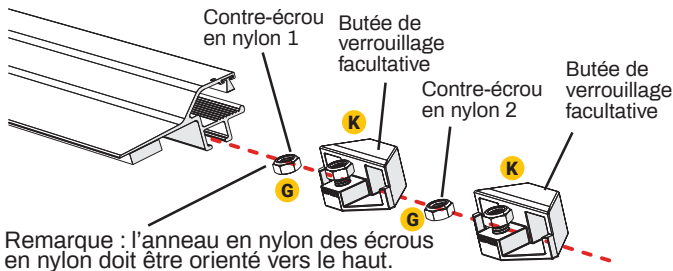


Deux butées de verrouillage sont nécessaires pour l'installation, une à l'avant/cabine et une autre à l'arrière/hayon.

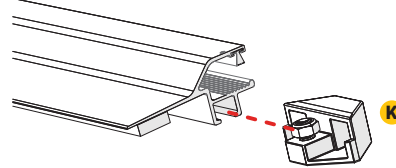
La butée de verrouillage du milieu, en option, peut être insérée n'importe où le long du rail.

Le rail doit avoir le même nombre de butées de verrouillage des deux côtés.

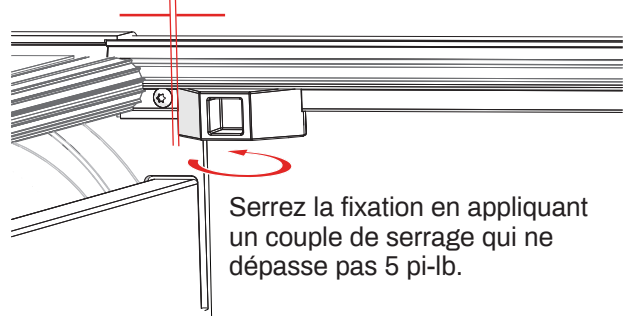
5b- Après le verrouillage de la butée avant/cabine, faites glisser les butées restantes avec les écrous de serrage dans l'ordre indiqué. Elles seront positionnées à une étape ultérieure.



5a - Faites glisser une butée de verrouillage installée dans chaque rail latéral.

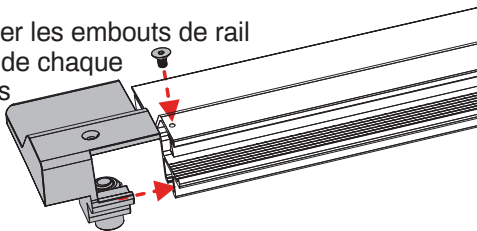


Placez la première butée vers l'avant, en direction de la cabine, à 1/16 po (1,6 mm) de la fixation du rail.

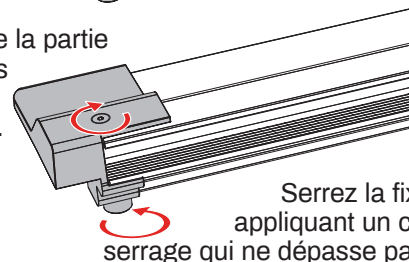


6 Fixation des embouts de rail et positionnement du couvre-caisse:

6a - Faites glisser les embouts de rail vers l'extrémité de chaque rail. Vissez la vis sur la partie supérieure et dans le rail.

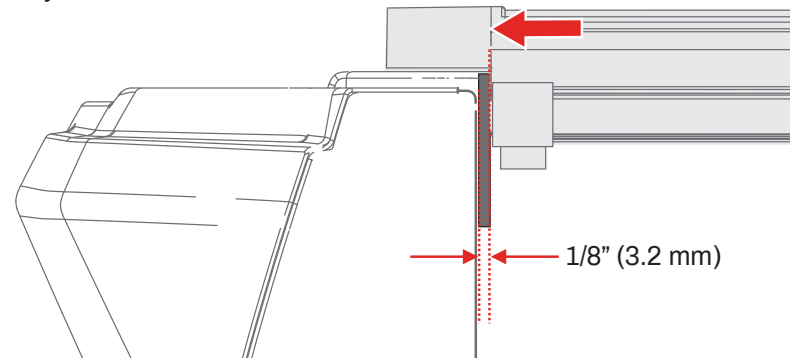


Serrez les vis de la partie supérieure et les boulons de la partie inférieure.



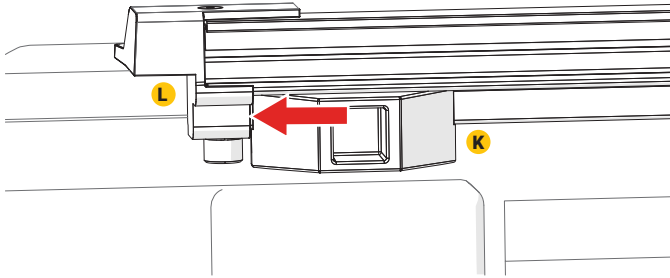
Serrez la fixation en appliquant un couple de serrage qui ne dépasse pas 5 pi-lb.

6b - Reculez le couvre-caisse vers le hayon et utilisez l'entretoise de 1/8 po pour positionner les deux rails à 1/8 po (3,2 mm) du hayon.



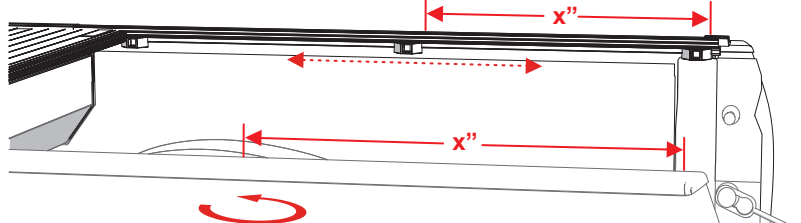
7 Positionnement des butées de verrouillage facultatives arrière / du hayon :

7a - Positionnez la butée de verrouillage arrière / du hayon de sorte qu'elle repose contre l'embout du rail.



7b - Des butées de verrouillage facultatives peuvent être placées n'importe où le long du rail.

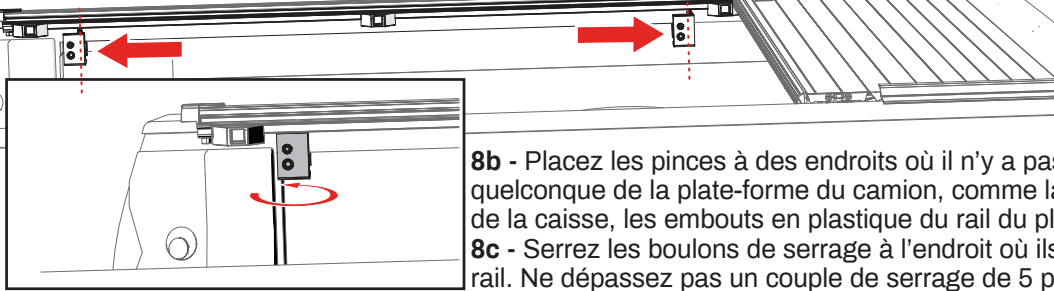
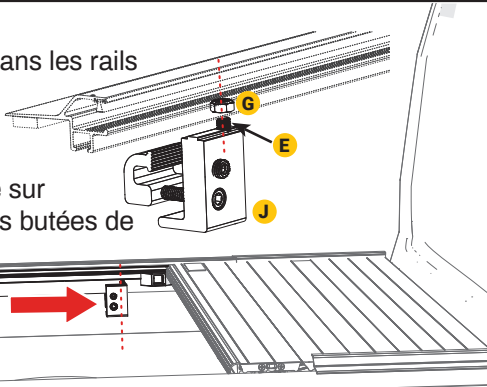
Le rail doit avoir le même nombre de butées de verrouillage des deux côtés. Il est aussi essentiel que les butées de verrouillage soient positionnées de façon égale des deux côtés.



Serrez les fixations de la butée de verrouillage en appliquant un couple de serrage ne dépassant pas 5 pi-lb.

8 Installation des pinces:

8a - Placez les écrous en nylon installés dans les rails à l'étape 5. Faites glisser un écrou le plus loin possible vers l'avant en direction de la cabine, et le deuxième le plus loin possible vers l'arrière en direction du hayon. Vissez les boulons de serrage sur l'écrou. Placez les pinces le plus près possible des butées de verrouillage.



8b - Placez les pinces à des endroits où il n'y a pas d'obstacles provenant d'une partie quelconque de la plate-forme du camion, comme la géométrie de la tôle du camion ou de la caisse, les embouts en plastique du rail du plateau, etc.

8c - Serrez les boulons de serrage à l'endroit où ils ne glisseront plus dans le canal du rail. Ne dépassez pas un couple de serrage de 5 pi-lb.

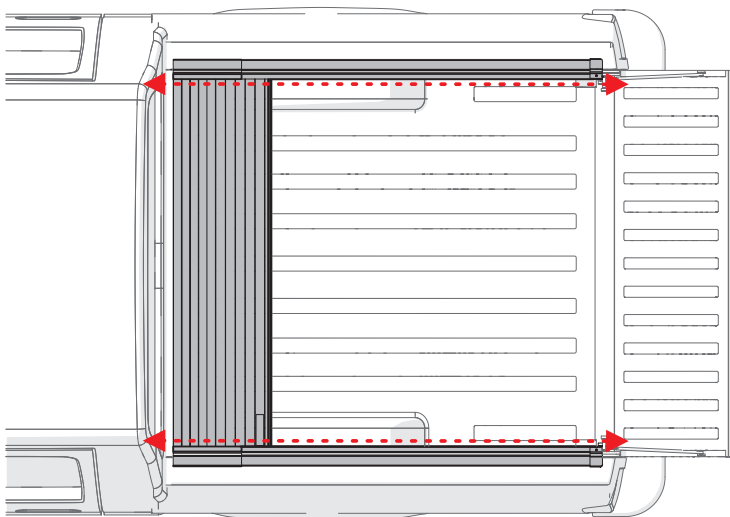
Si vous avez un véhicule Toyota Tundra à partir de 2007, veuillez consulter la page 6 pour obtenir des instructions d'installation.

Si vous avez un GMC/Chevy à partir de 2019, veuillez consulter la page 8 pour obtenir des instructions d'installation.

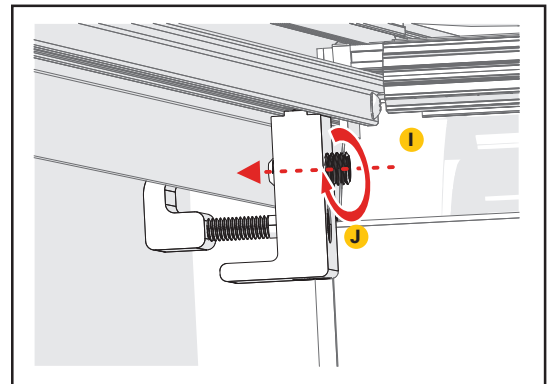
Si vous avez un Ford Ranger à partir de 2019, veuillez consulter la page 11 pour obtenir des instructions d'installation.

9 Alignement des rails:

9a - Aalignez les rails du couvre-caisse avec la section du rail spiralée afin qu'ils soient droits.



9b - Tournez chaque vis d'arrêt en nylon dans chaque pince jusqu'à ce qu'elle entre en contact avec le rail de la plate-forme du camion.

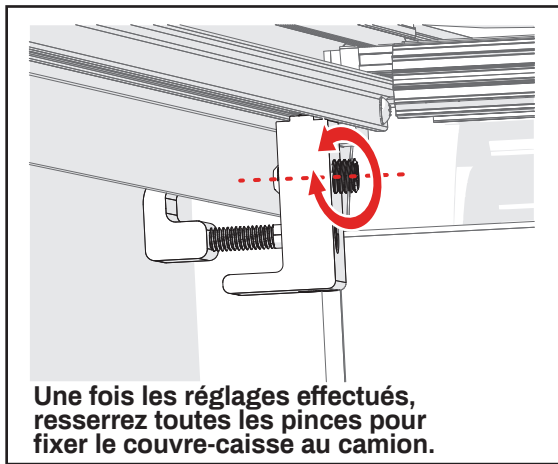
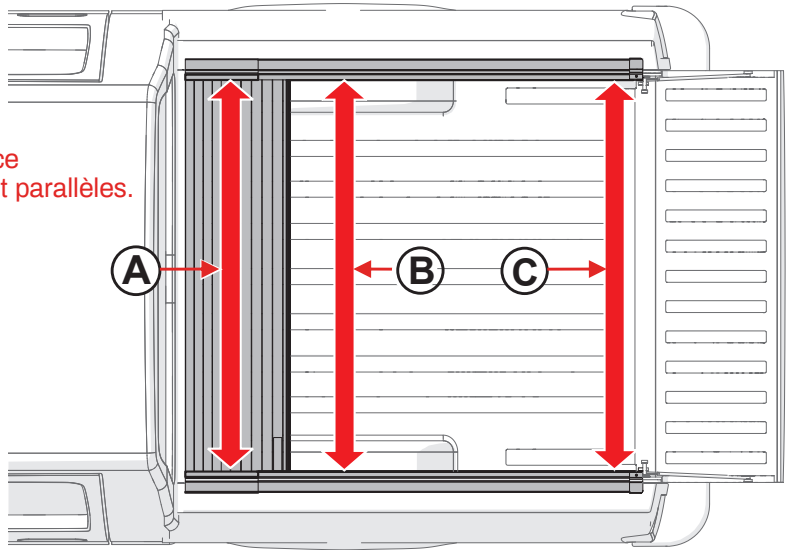


10 Mesure et réglage de la position des rails:

10a - Mesurez la distance au point A (sur le dessus de la partie avant du couvre-caisse).

10b - Mesurez ensuite la distance aux points B et C (au-dessus de chaque pince). Ils doivent mesurer la même distance, à 1/16 po près, qu'au point A.

10c - Si des réglages doivent être effectués, desserrez la pince et tournez la vis d'arrêt en nylon jusqu'à ce que les rails soient parallèles.

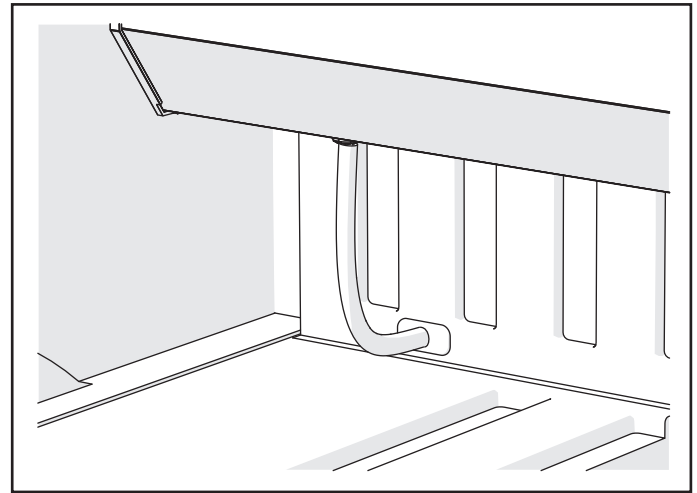
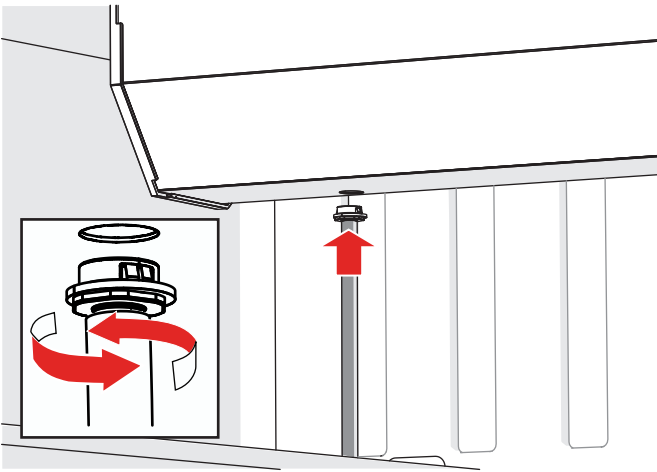


Une fois les réglages effectués, resserrez toutes les pinces pour fixer le couvre-caisse au camion.

11 Installation des tuyaux de vidange:

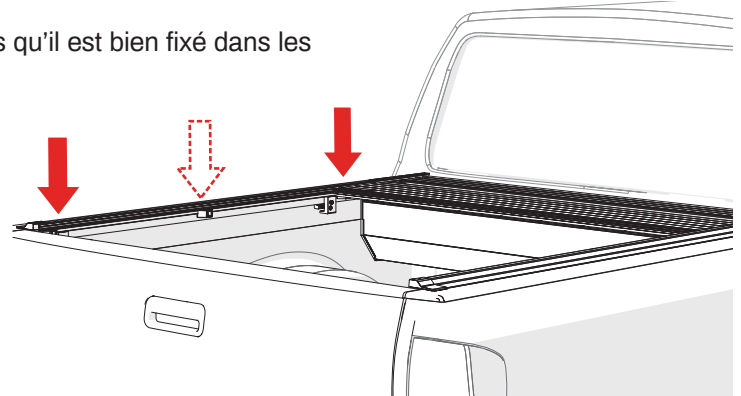
11a - Insérez le tuyau de vidange dans le caisson de chaque côté, tournez vers la droite, dans le sens des aiguilles d'une montre, le raccord cliquera deux fois lorsqu'il est fixé.

11b - En général, les tuyaux de vidange sont acheminés vers une ouverture aménagée à cet effet à l'usine pour les évacuations. Sinon, une ouverture appropriée doit être utilisée. Une nouvelle ouverture peut également être percée en prenant de grandes précautions quant aux lignes et à tout ce qui se trouve derrière l'endroit où le trou est percé.



12 Dernière remarque:

Lorsque le couvre-caisse n'est pas utilisé, assurez-vous qu'il est bien fixé dans les butées de verrouillage pour empêcher qu'il ne se déroule.



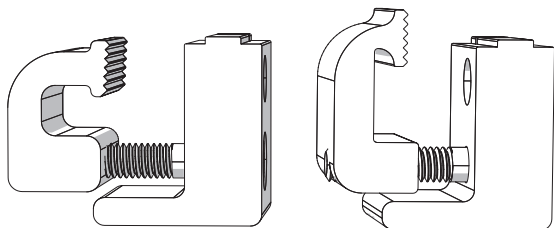
Installation du couvre-caisse de 5,5 pi pour Toyota Tundra à partir de 2007 à 2021

Vérifiez les pièces illustrées ici; le présent modèle comporte 2 styles de pinces différents et des instructions de montage différentes.

PARTS INCLUDED IN YOUR KIT

J Pinces (2)

Pinces (2) qui seront utilisées à l'extrémité **HAYON** du rail à l'étape 8.



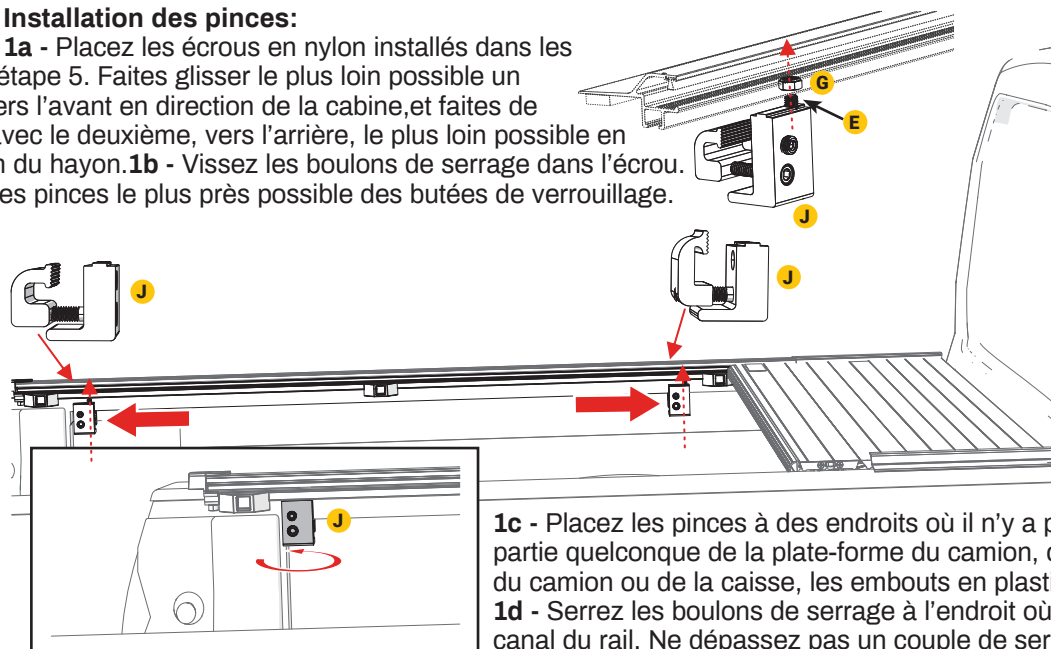
Pinces (2) qui seront utilisées à l'extrémité **CABINE** du rail à l'étape 8.



Poursuivez la lecture des instructions de la page 2, puis revenez à cette page pour découvrir les étapes d'installation spécifiques à l'utilisation des pinces pour le couvre-caisse de 5 pi du véhicule Toyota Tundra à partir de 2007.

1 Installation des pinces:

1a - Placez les écrous en nylon installés dans les rails à l'étape 5. Faites glisser le plus loin possible un écrou vers l'avant en direction de la cabine, et faites de même avec le deuxième, vers l'arrière, le plus loin possible en direction du hayon. **1b** - Vissez les boulons de serrage dans l'écrou. Placez les pinces le plus près possible des butées de verrouillage.



1c - Placez les pinces à des endroits où il n'y a pas d'obstacles provenant d'une partie quelconque de la plate-forme du camion, comme la géométrie de la tôle du camion ou de la caisse, les embouts en plastique du rail du plateau, etc.

1d - Serrez les boulons de serrage à l'endroit où ils ne glisseront plus dans le canal du rail. Ne dépassez pas un couple de serrage de 5 lb-pi.



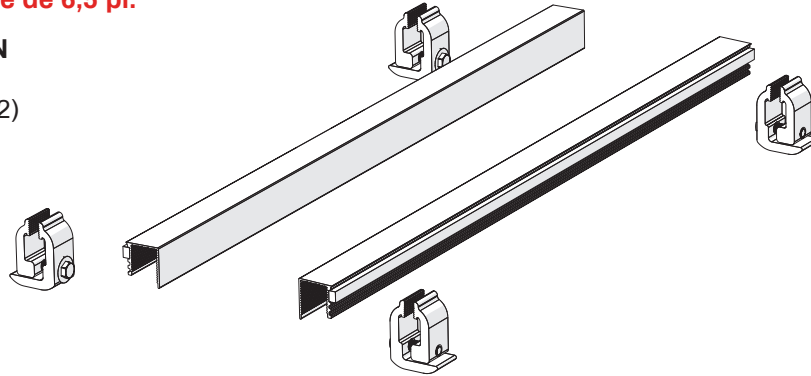
Lisez la suite des instructions d'installation à l'étape 9, page 4

Installation d'un couvre-caisse de 6,5 pi pour RAM (2009 - 2018), modèle 1500 Classic (2019) et modèles 2500/3500 (de 2010 à 2024)

 Effectuez les étapes 1 à 3 du début du manuel, puis revenez à cette page pour l'étape d'installation spécifique du couvre-caisse de 6,5 pi.

LISTE DE VÉRIFICATION DES PIÈCES

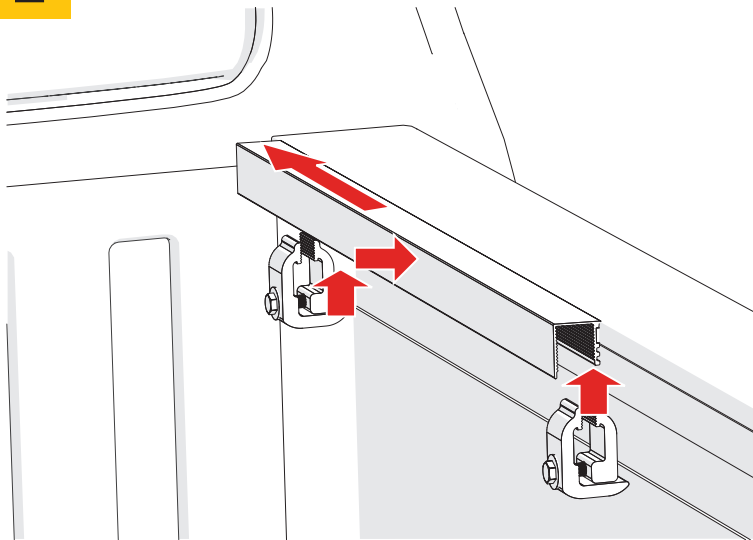
- Rails de montage RAM (2)
- Pincés RAM (4)



OUTIL SUPPLÉMENTAIRE

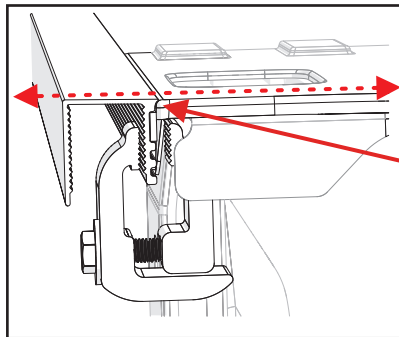
- Clé ou douille de 9/16 po

1 Positionnement des rails et fixation des pincés:



1a - Placez les rails au niveau de la plate-forme du camion. Un rail de chacun des deux côtés. Les rails doivent se trouver le plus loin possible vers l'avant/la cabine. Le rail doit être en contact avec la paroi/la cloison avant.

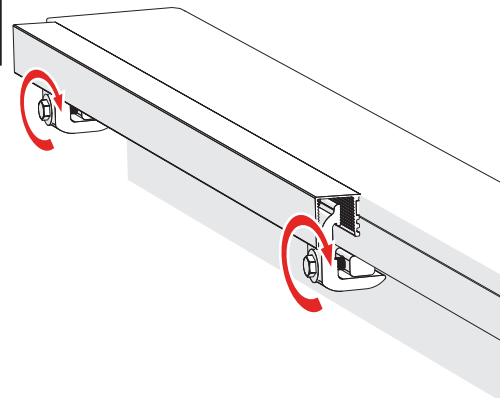
1b - Installez les pincés pour fixer le rail au niveau de la plate-forme du camion. La pince avant/cabine doit être le plus à l'avant possible. La deuxième pince / pince arrière doit se trouver à quelques centimètres prèsde l'extrémité du rail. Serrez les pincés pour maintenir le rail en place.



1c - La partie supérieure du rail doit être parallèle à la partie supérieure de l'embout du rail du camion.

Le rail doit être à proximité de l'embout du rail du camion. Le rayon du rail correspond au rayon de l'embout du rail du camion.

Une fois le rail correctement positionné, serrez les pincés.



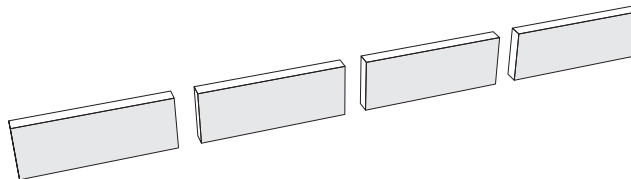
 Revenez à l'étape 4, page 2, pour découvrir les principales instructions d'installation relatives au reste de la procédure d'installation.

Installation d'un couvre-caisse de 5,8 pi pour GMC/Chevy, d'un couvre-caisse de 6,4 pi pour modèle 1500 (à partir de 2019) et d'un couvre-caisse HD de 6,9 pi pour modèles 2500/3500 (à partir de 2020)

 **Effectuez les étapes 1 à 7 du début du manuel, puis revenez à la page consacrée aux étapes d'installation spécifiques du GMC/Chevrolet modèle 1500 à partir de 2019.**

LISTE DE VÉRIFICATION DES PIÈCES

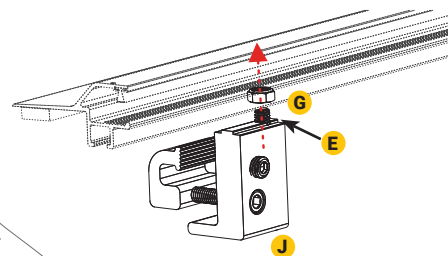
- Cales en caoutchouc avec support adhésif (4)



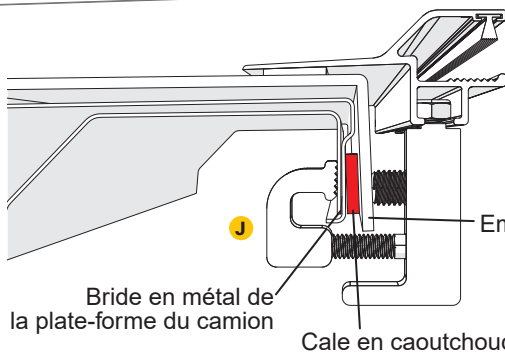
1 Positionnement des pinces et des cales en caoutchouc:

1a - Placez les écrous en nylon installés dans les rails à l'étape 5. Faites glisser un écrou le plus loin possible vers l'avant, en direction de la cabine, et le deuxième le plus loin possible vers l'arrière, en direction du hayon. Vissez les boulons de serrage sur l'écrou. Placez les pinces le plus près possible des butées de verrouillage.

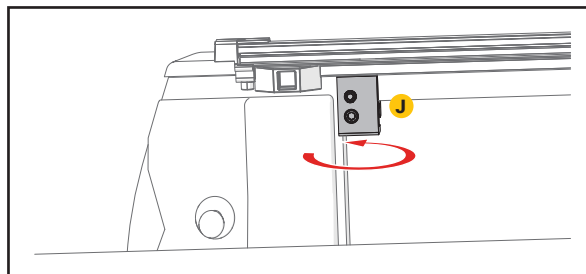
1b - Placez les pinces à des endroits où il n'y a pas d'obstacles provenant d'une partie quelconque de la plate-forme du camion, comme la géométrie de la tôle du camion ou de la caisse, les embouts en plastique du rail du plateau, etc.



1c - Une fois les pinces correctement positionnées, des cales en caoutchouc doivent être placées entre la bride en acier de la plate-forme du camion et la bride en plastique de l'embout du rail de la plate-forme du camion. Les cales doivent être placées directement derrière les pinces. Détachez le support de la cale et collez la cale à l'intérieur de la bride en plastique.



1d - Serrez les boulons de serrage à l'endroit où ils ne glisseront plus dans le canal du rail. Ne dépassez pas un couple de serrage de 5 pi-lb.



 **Revenez à l'étape 9, page 4, pour découvrir les principales instructions d'installation relatives au reste de la procédure d'installation.**

Ford Ranger à partir de 2019

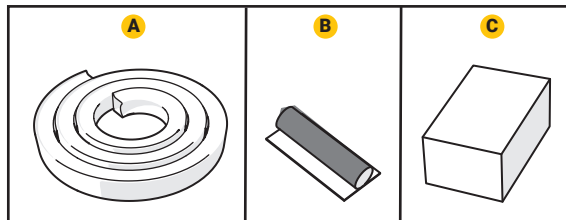
 Effectuez les étapes 1 à 3 du début du manuel, puis revenez à cette page pour obtenir les instructions d'installation spécifiques au véhicule Ford Ranger, à partir de 2019.

PARTS INCLUDED IN YOUR KIT

- A** Joint de cloison (1)
- B** Scellant en caoutchouc (2)
- C** Joints de bloc de mousse (2)

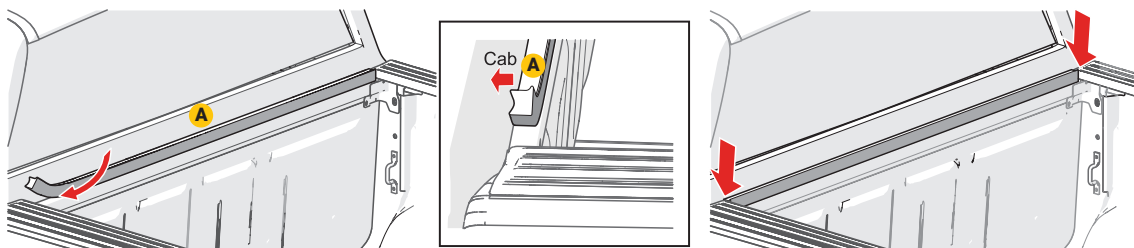
TOOLS REQUIRED

- Alcool isopropylique



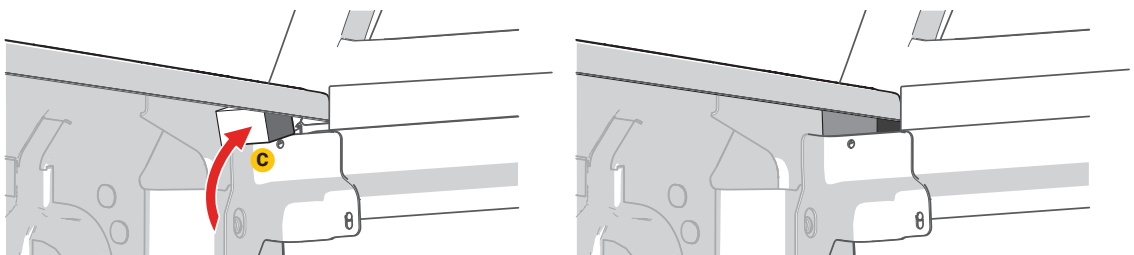
1 Installation du joint de la cloison en mousse:

Nettoyez la partie supérieure de la cloison du plateau. Détachez le couvercle adhésif en papier et appliquez le joint en mousse sur la partie supérieure de la cloison. Le joint doit être orienté comme indiqué, à ras de la face intérieure, et bien ajusté, entre les protections de rail du plateau.



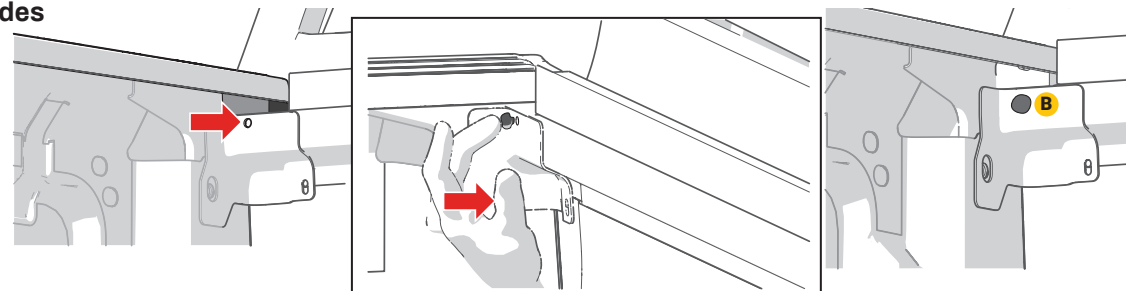
2 Installation des joints pour blocs en mousse:

Nettoyez la partie supérieure de la cloison du plateau sous l'embout du rail du plateau. Détachez le cache adhésif en papier et appliquez les joints pour blocs en mousse sur le dessus de la cloison et sous l'embout du plateau du camion. Il y aura un bloc en mousse de chaque côté.



3 Fermeture des entrées des orifices de la cloison:

Bouchez l'orifice de la cloison avec le produit d'étanchéité en caoutchouc. Bouchez les orifices des deux côtés.



 Revenez à l'étape 4, page 2, pour découvrir les principales instructions d'installation relatives au reste de la procédure d'installation.

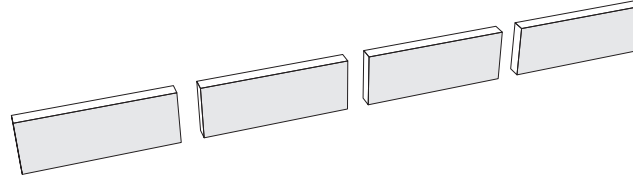
Ford Ranger à partir de 2019



Effectuez les étapes 1 à 7 du début du manuel, puis revenez à cette page.

LISTE DE VÉRIFICATION DES PIÈCES

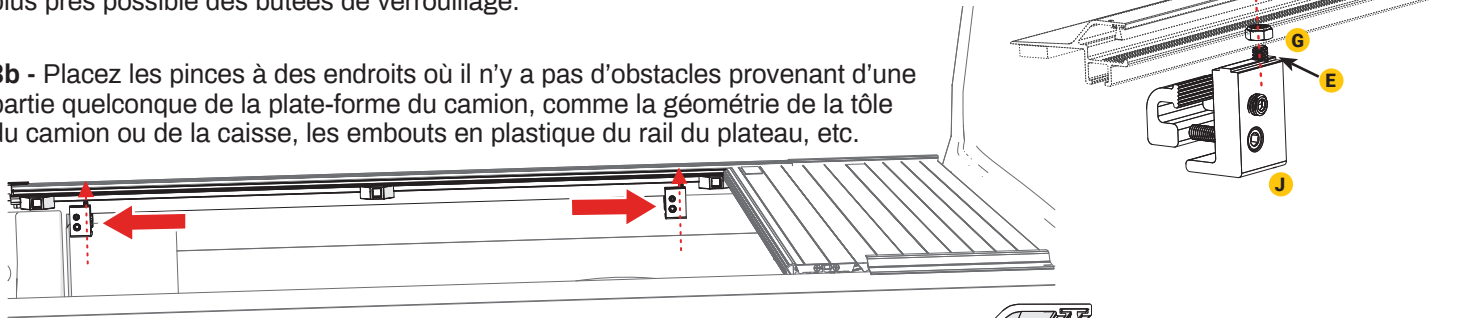
- Cales en plastique (4)



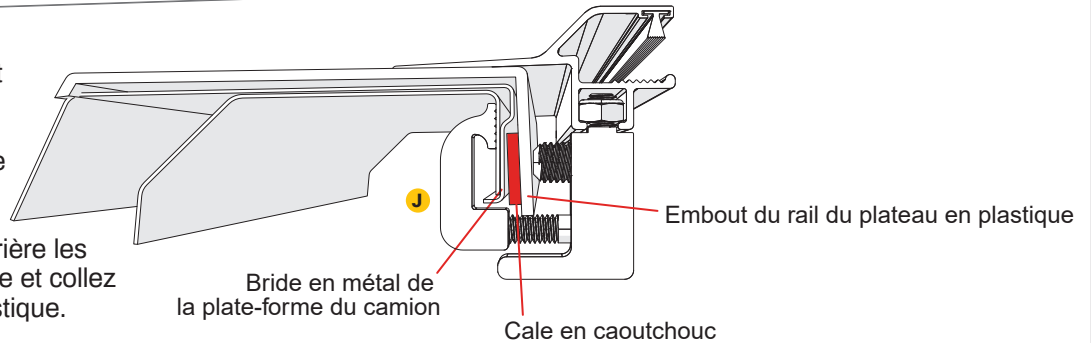
3 Positionnement des pinces et des cales:

3a - Placez les écrous en nylon installés dans les rails à l'étape 5. Faites glisser un écrou le plus loin possible vers l'avant, en direction de la cabine, et le deuxième le plus loin possible vers l'arrière, en direction du hayon. Vissez les boulons de serrage sur l'écrou. Placez les pinces le plus près possible des butées de verrouillage.

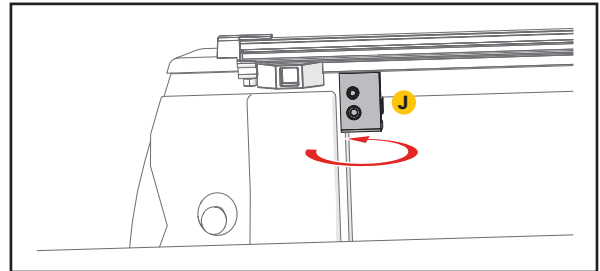
3b - Placez les pinces à des endroits où il n'y a pas d'obstacles provenant d'une partie quelconque de la plate-forme du camion, comme la géométrie de la tôle du camion ou de la caisse, les embouts en plastique du rail du plateau, etc.



3c - Une fois les pinces correctement positionnées, les cales doivent être placées entre la bride en acier du couvre-caisse pour camion et la bride en plastique de l'embout du rail de la plate-forme du camion. Les cales doivent être placées directement derrière les pinces. Détachez le support de la cale et collez la cale à l'intérieur de la bride en plastique.



3d - Serrez les boulons de serrage à l'endroit où ils ne glisseront plus dans le canal du rail. Ne dépassez pas un couple de serrage de 5 pi-lb.



Revenez à l'étape 9, page 4, pour découvrir les principales instructions d'installation relatives au reste de la procédure d'installation.

GARANTIE LIMITÉE

COUVERTURE DE LA GARANTIE

Cette couverture de plateau de camion est garantie contre les défauts de matériaux ou de fabrication comme suit. Cette garantie est nulle si le produit a été endommagé dans un accident, ou en raison d'une négligence, d'une utilisation imprévisible, d'une installation incorrecte, d'un entretien inadéquat ou de toute autre cause ne résultant pas d'un défaut de matériau ou de fabrication.

Retrax IX - Le tissu de votre couverture de plateau de camion bénéficie d'une garantie limitée de deux (2) ans à compter de la date d'achat initiale, sous réserve des conditions ci-dessous.

LA GARANTIE N'EST PAS CESSIBLE

La garantie s'applique au consommateur initial qui achète la couverture de plateau de camion et elle n'est pas cessible à un utilisateur final ultérieur. Une preuve d'achat peut être exigée pour faire valoir ces droits de garantie.

CONDITIONS DE GARANTIE

Le non-respect de ces instructions d'entretien et d'utilisation annule la garantie :

- Nettoyez avec un savon doux pour automobile et de l'eau seulement. N'utilisez pas de produits chimiques ou de nettoyeurs puissants. La lubrification des rails ou des roulements à billes scellés annule la garantie.
- La cargaison doit être fixée en tout point lorsque le véhicule est en mouvement. Le fait de ne pas fixer correctement la housse ou la sangle d'attache peut entraîner des dommages et annulera la garantie.
- Vérifiez que tous les colliers de serrage et les mécanismes de retenue sont bien serrés après une semaine de conduite suivant l'installation (ou la réinstallation) de la couverture et périodiquement par la suite.
- Avant de l'ouvrir, la couverture doit être exempte de tout corps étranger, y compris la neige et la glace.
- Ne remorquez PAS votre véhicule par l'arrière avec le couvre-caisse sur votre véhicule. Si un remorquage par l'arrière est nécessaire, le couvre-caisse DOIT être retiré du véhicule et rangé correctement.

VALIDITÉ DE LA GARANTIE

Si toutes les conditions de la garantie sont remplies, une housse ou un composant matériel défectueux sera soit réparé, soit remplacé (à notre discrétion). Nous nous réservons le droit, pour tout retour sous garantie, de substituer un modèle plus récent de couverture de plateau ayant une forme et une fonction similaire, d'offrir un rabais de garantie sur un système de remplacement complet, et/ou de fournir des solutions autres que ceux mentionnés dans ce document.

RETOUR SOUS GARANTIE

Un numéro d'autorisation de retour de matériel doit être obtenu auprès de notre service clientèle avant de retourner un produit. Nous pouvons exiger que l'article original soit renvoyé en affranchissement prépayé en vue d'une décision finale. Des frais d'expédition seront appliqués pour toute réparation ou tout remplacement. En dehors des frais d'affranchissement ou d'expédition, aucun frais ne sera facturé pour la réparation ou le remplacement dans le cadre de cette garantie.

Cette garantie vous confère des droits légaux spécifiques. En tant que consommateur, vous pouvez également bénéficier de droits et de recours supplémentaires en vertu des lois de votre État.

Enregistrez-vous en ligne à l'adresse <https://realtruck.com/retrax-warranty>.

**ENREGISTREZ
VOTRE
GARANTIE
EN LIGNE**



Numéro de série _____

Date d'achat _____