

# INSTALLATION INSTRUCTIONS AND PARTS LIST

MODEL 415078, 415088, GRIP STEPS (BOARDS ONLY)

UNIVERSAL APPLICATIONS

1. Read instructions completely and check to make sure that all required parts (listed on the service parts list) are on hand before starting the installation.
2. Follow the instructions included with the specific bracket package that you are using to mount the brackets to your vehicle.
3. Step assembly:
  - 3.1 Before attaching the grip steps to the brackets, slide the appropriate number of support braces (item #2) into the channel of the step (item #1).
  - 3.2 Slide the end cap (item #3) over the front and rear of each step. Using the supplied #8 x 1/2" self drilling tek screw (item #8), screw the end cap to the bottom of the step.
4. Attaching the step to the mounting bracket:
  - 4.1 Set the step on the mounting brackets, and slide each support brace over the top of each mounting bracket. Attach the flat spacer plate (item #4) to the bottom of the step, between the support brace, and the top of the mounting bracket.
  - 4.2 Using the supplied 5/16-18 x 1" carriage bolt, washer, and flange nuts, (item #5, 6, 7), attach the step assembly, flat spacer plate and mounting bracket. **(NOTE: Some of the flange nuts are supplied in the specific bracket package, not the step package.)**
  - 4.3 Set the step plate in the correct position and tighten all fasteners.  
Torque all 5/16" fasteners to 19 LB FT.

## SERVICE PARTS LIST

ITEM	PART NO.	QTY	DESCRIPTION
1	551384	2	EXTRUSION-AL,77.62, GRIP STEP,BLK,415078
1	551385	2	EXTRUSION-AL,87.75,GRIP STEP,BLK,415088
2	551296	8	SUPPORT BRACE, UPPER, GALV
3	551394	4	CAP-END,GRIP STEP, BLACK, PLASTIC
4	551298	8	SPACER PLATE, LOWER, BLACK
5	108683	16	BOLT-CRG,5/16-18 X 1.0", SST
6	101369	16	WASHER-FLAT,5/16,SST
7	102680	16	NUT-SERR FLG,HX,SST,WX,5/16-18
8	107958	8	SCR-TEK #8-18 X 1/2",SST,BLK

**LIVERNE**  
TRUCK EQUIPMENT

(A LIVERNE Company)

1200 E. Birch St.

Brandon, SD 57005

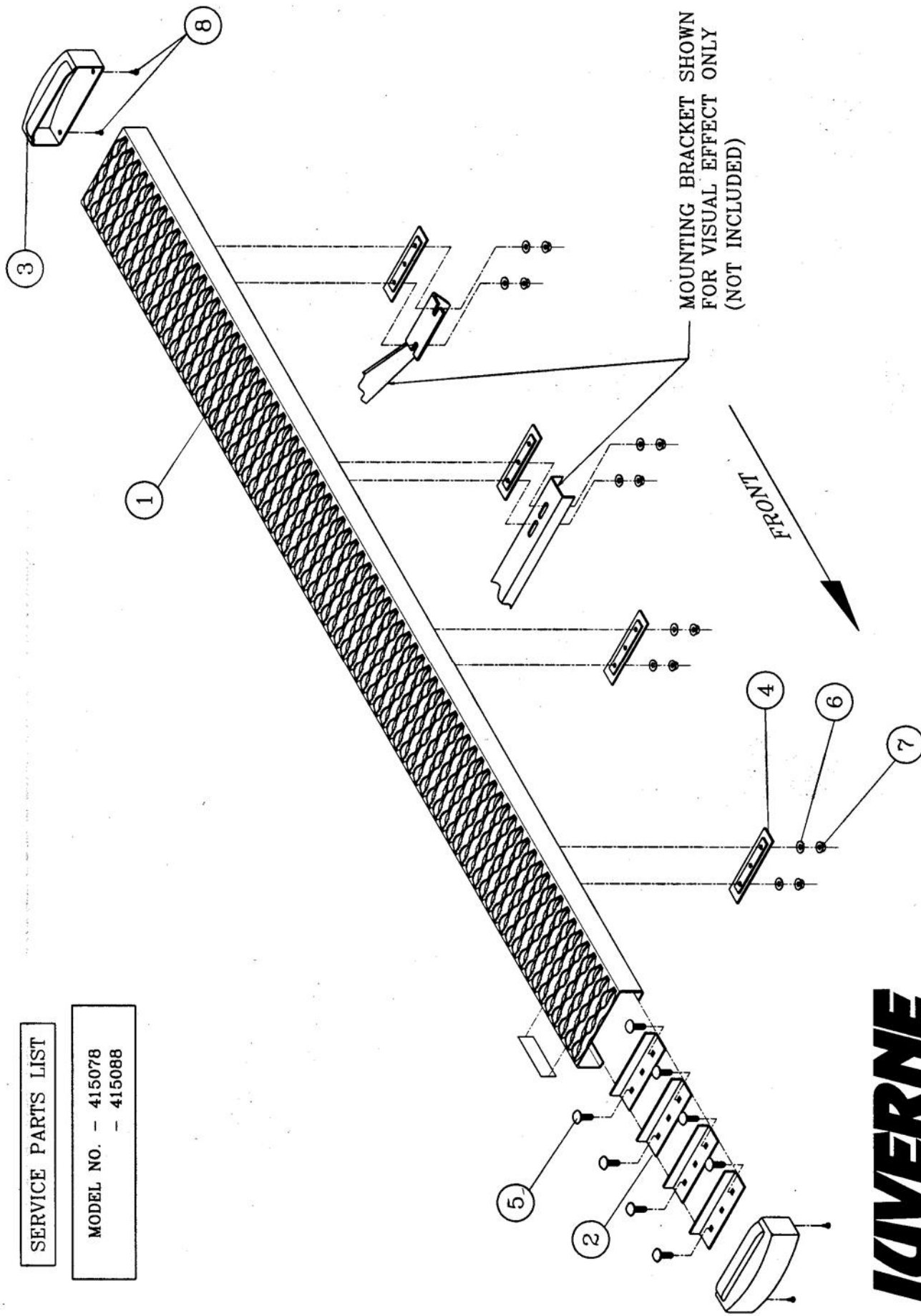
REV B 03DEC10

REV A 10JUL09

551267 SHEET 1 OF 2 20AUG08

SERVICE PARTS LIST

MODEL NO. - 415078  
- 415088



**LAVERNE**  
TRUCK EQUIPMENT  
(A LAVERNE Company)

1200 E. Birch St.  
Brandon, SD 57005

REV B 03DEC10  
REV A 10JUL09  
551267 SHEET 3 20AUG08

# INSTALLATION INSTRUCTIONS AND PARTS LIST

APPLICATION:

## MODEL 400713 STEP BRACKETS:

2007 GM SILVERADO & SIERA EXTENDED/CREW CAB PICKUPS

2007 GM TAHOE/SUBURBAN/AVALANCHE/YUKON/YUKON XL



1. READ INSTRUCTIONS COMPLETELY AND CHECK TO MAKE SURE THAT ALL REQUIRED PARTS (LISTED ON THE SERVICE PARTS LIST) ARE ON HAND BEFORE STARTING THE INSTALLATION.
2. ATTACH THE MOUNTING BRACKETS TO THE VEHICLE AS FOLLOWS: [SEE FIG. 1 & 2]
  - 2.1 ATTACH THE TOP OF THE MOUNTING BRACKETS (ITEM #1) TO THE VEHICLE AS SHOWN.
  - 2.2 INSERT 5/16" MULTI-THREAD U-NUT (ITEM #7) INTO THE UPPER HOLES IN THE ROCKER PANEL (SEE FIG. 1).  
*(NOTE: SOME VEHICLES WILL HAVE THREADED INSERTS IN THE ROCKER PANELS, AND WILL NOT REQUIRE THE INSTALLATION OF THE U-NUTS.)*
  - 2.3 ATTACH THE TOP OF THE BRACKETS (ITEM #1) TO THE VEHICLE WITH 5/16-18 X 1.0 SCREW AND FLAT WASHER (ITEMS #5&4). HAND TIGHTEN ONLY.  
*(NOTE: IF VEHICLE HAS THREADED INSERTS AS STATED ABOVE IT WILL REQUIRE A BLACK M8 X 30MM SCREW (ITEM #3) IN PLACE OF THE 5/16-18 X 1.0 SCREW.)*
  - 2.4 INSERT A NYLON WASHER (ITEM #2) BETWEEN THE TOP OF THE MOUNTING BRACKET AND THE BOTTOM OF THE ROCKER PANEL AND INSTALL THE BLACK M8-1.25 SCREW (ITEM#3) AND WASHER (ITEM#4) PLACE PINCH WELD SUPPORT BRACKET (ITEM #8) ABOVE PINCH WELD AS SHOWN INSTALL M8 FLANGE NUT (ITEM#6) *(UNLESS THERE IS A THREADED INSERT ATTACHED TO THE VEHICLE)* - THIS IS DONE ON EACH MOUNTING BRACKET. TIGHTEN ALL FASTENERS TO 19 LB FT.
3. ATTACHING THE STEP ASSEMBLY:  
PLEASE REVIEW THE INSTALLATION INSTRUCTIONS THAT ARE INCLUDED IN YOUR STEP ASSEMBLY FOR SPECIFIC DETAILS.

## SERVICE PARTS LIST

ITEM	PART NO.	QTY	DESCRIPTION
<b>PARTS INCLUDED IN THE BRACKET PACKAGE</b>			
1	551861	6	MOUNTING BRACKET,MEGASTEP
2	107182	6	WASHER- SPCR, NYLON, BLK, .312 ID X 1.24 OD X .25 THK
3	100180	12	M8 X 30 X1.25 SCR,SST,BZP
4	106998	12	5/16" STD FLAT WASHER SST, BZP
5	100647	6	5/16" X 1.00" SCR ZP
6	105859	6	M8 FLANGED NUT ZP
7	105541	6	U-NUT 5/16" - 18
8	551666	6	BRKT-MTG,PINCH WELD SUPPORT

**LIVERNE**  
TRUCK EQUIPMENT

(A LIVERNE Company)

1200 E. Birch St.

Brandon, SD 57005

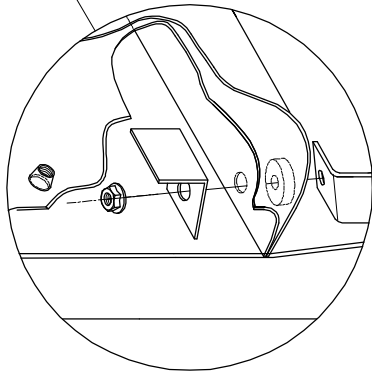
REVISION B 05MAR12  
REVISION A 30AUG11  
551863 SHEET 1 OF 3 09JUN10

# SILVERADO / SIERRA

SERVICE PARTS LIST

MODEL NO. -400713

NOTE:  
THE MOUNTING PATTERNS MAY NOT BE EXACTLY AS SHOWN.  
HOWEVER THERE WILL BE ENOUGH FASTENERS TO MAKE THE  
APPLICATION. THE DISTANCE BETWEEN THE FIRST AND SECOND  
BRACKET WILL BE 24 INCHES.



PINCH WELD SUPPORT ASSEMBLY  
(USE WHERE NEEDED)

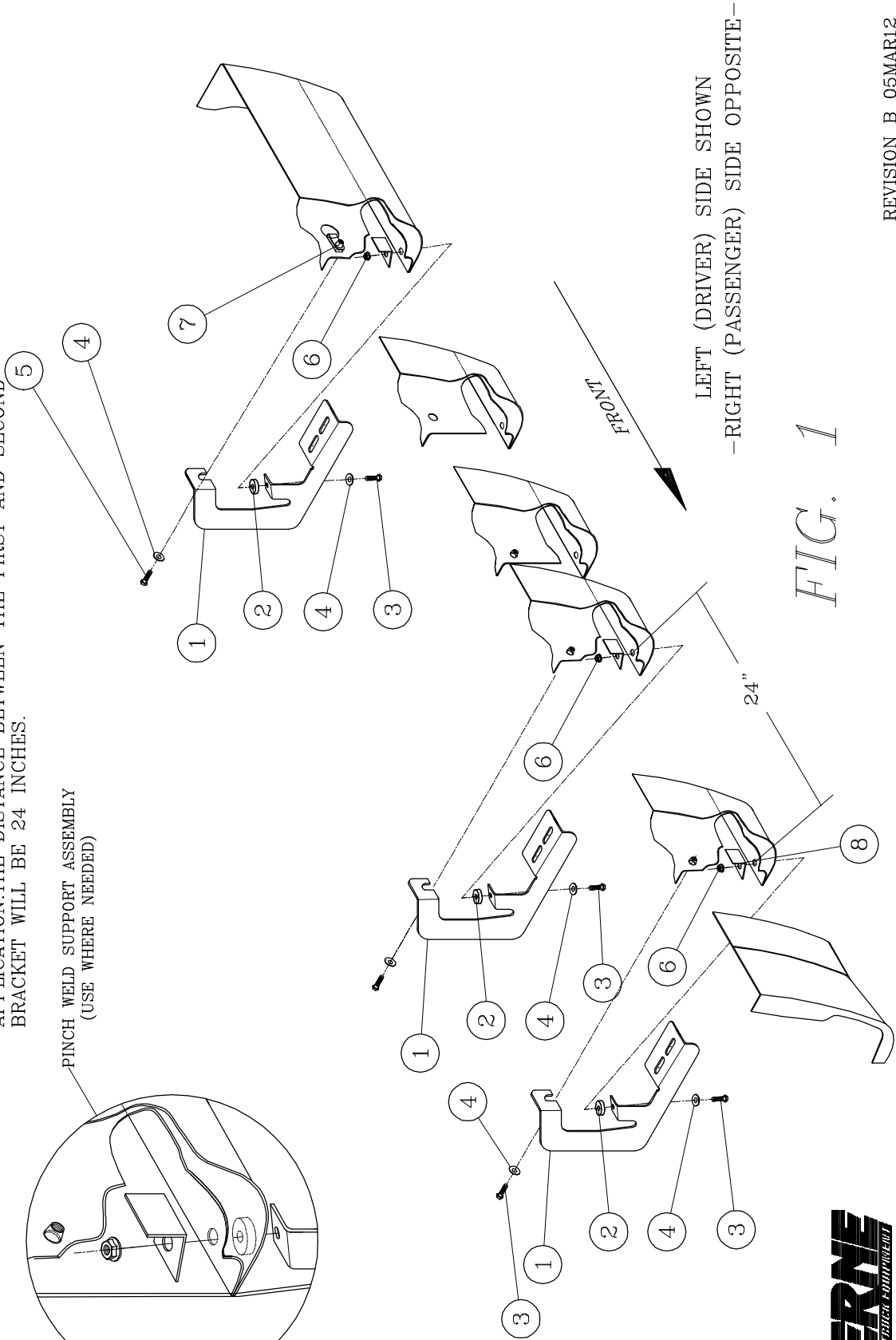


FIG. 1

**LOVERNE**  
A LOVERNE COMPANY

1200 E. Birch St.  
Bremerton, WA 98512

REVISION B 05MAR12  
REVISION A 30AUG11  
551863 SHEET 2 OF 3 09JUN10

# SUBURBAN/TAHOE/AVALANCE

SERVICE PARTS LIST

MODEL NO. -400713

NOTE:  
THE MOUNTING PATTERNS MAY NOT BE EXACTLY AS SHOWN.  
HOWEVER THERE WILL BE ENOUGH FASTENERS TO MAKE THE  
APPLICATION.THE DISTANCE BETWEEN THE FIRST AND SECOND  
BRACKET WILL BE 24 INCHES.

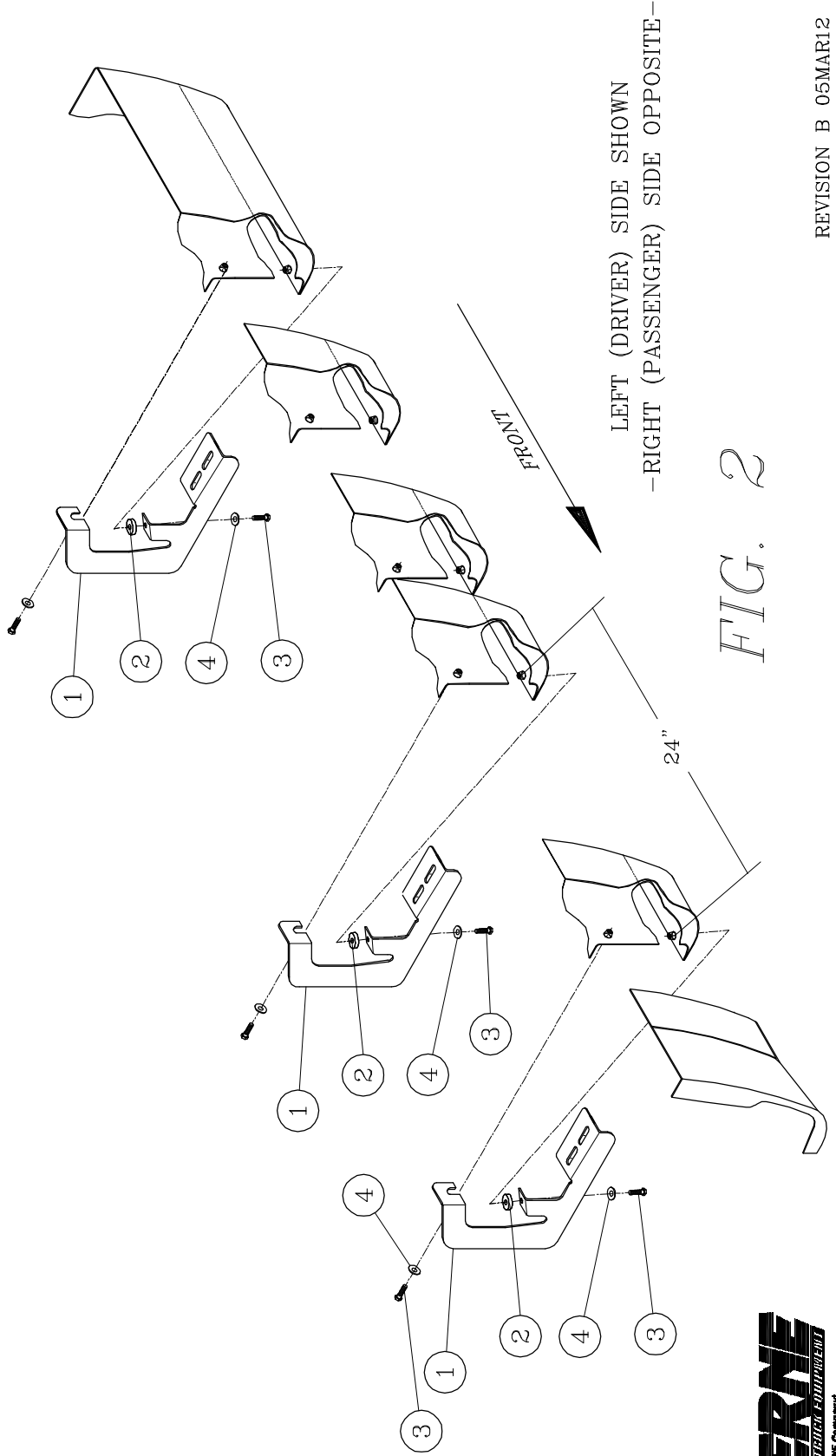


FIG. 2

**LOVERNE**  
A LOVERNE COMPANY  
12200 E. BRUSH ST.  
DENVER, CO 80231

REVISION B 05MAR12  
REVISION A 30AUG11  
551863 SHEET 3 OF 3 09JUN10