

INSTALLATION INSTRUCTIONS AND PARTS LIST

MODEL 415114, GRIP STEPS (BOARDS ONLY)

UNIVERSAL APPLICATIONS

1. Read instructions completely and check to make sure that all required parts (listed on the service parts list) are on hand before starting the installation.
2. Follow the instructions included with the specific bracket package to mount the brackets to your vehicle.
3. Step assembly:
 - 3.1 This Board can be modified from its original length to fit many applications. Simply determine how long you will need the board, and cut to that length using a saber saw, chop saw, or hack saw. Use flat black paint to touch up the ends that were cut.
 - 3.2 Before attaching the grip steps to the brackets, slide the appropriate number of support braces (item #2) into the channel of the step (item #1).
 - 3.3 Slide the end cap (item #3) over the front and rear of each step. Using the supplied #8 x 1/2" self drilling tek screw (item #8), screw the end cap to the bottom of the step.
4. Attaching the step to the mounting bracket:
 - 4.1 Set the step on the mounting brackets, and slide each support brace over the top of each mounting bracket. Attach the flat spacer plate (item #4) to the bottom of the step, between the support brace, and the top of the mounting bracket.
 - 4.2 Using the supplied 5/16-18 x 1" carriage bolt, washer, and flange nuts, (item #5, 6, 7), attach the step assembly, flat spacer plate and mounting bracket. **(NOTE: Some of the flange nuts are supplied in the specific bracket package, not the step package.)**
 - 4.3 Set the step plate in the correct position and tighten all fasteners.
Torque all fasteners to 19 LB FT.

SERVICE PARTS LIST

ITEM	PART NO.	QTY	DESCRIPTION
1	551888	2	EXTRUSION-AL,97.87,GRIP STEP,BLK,415098
1	551889	2	EXTRUSION-AL,101.25,GRIP STEP,BLK,415102
1	551388	2	EXTRUSION-AL,113.62,GRIP STEP,BLK,415114
2	551296	10	SUPPORT BRACE, UPPER, GALV.
3	551394	4	CAP-END,GRIP STEP, BLACK, PLASTIC
4	551298	14	SPACER PLATE, LOWER, BLACK
5	108683	20	BOLT-CRG,5/16-18 X 1.0", SST
6	101369	20	WASHER-FLAT,5/16,SST
7	102680	20	NUT-SERR FLG,HX,SST,WX,5/16-18
8	107958	8	SCR-TEK #8-18 X 1/2",SST,BLK



1200 E. Birch St.

Brandon, SD 57005

REV C 01APR12

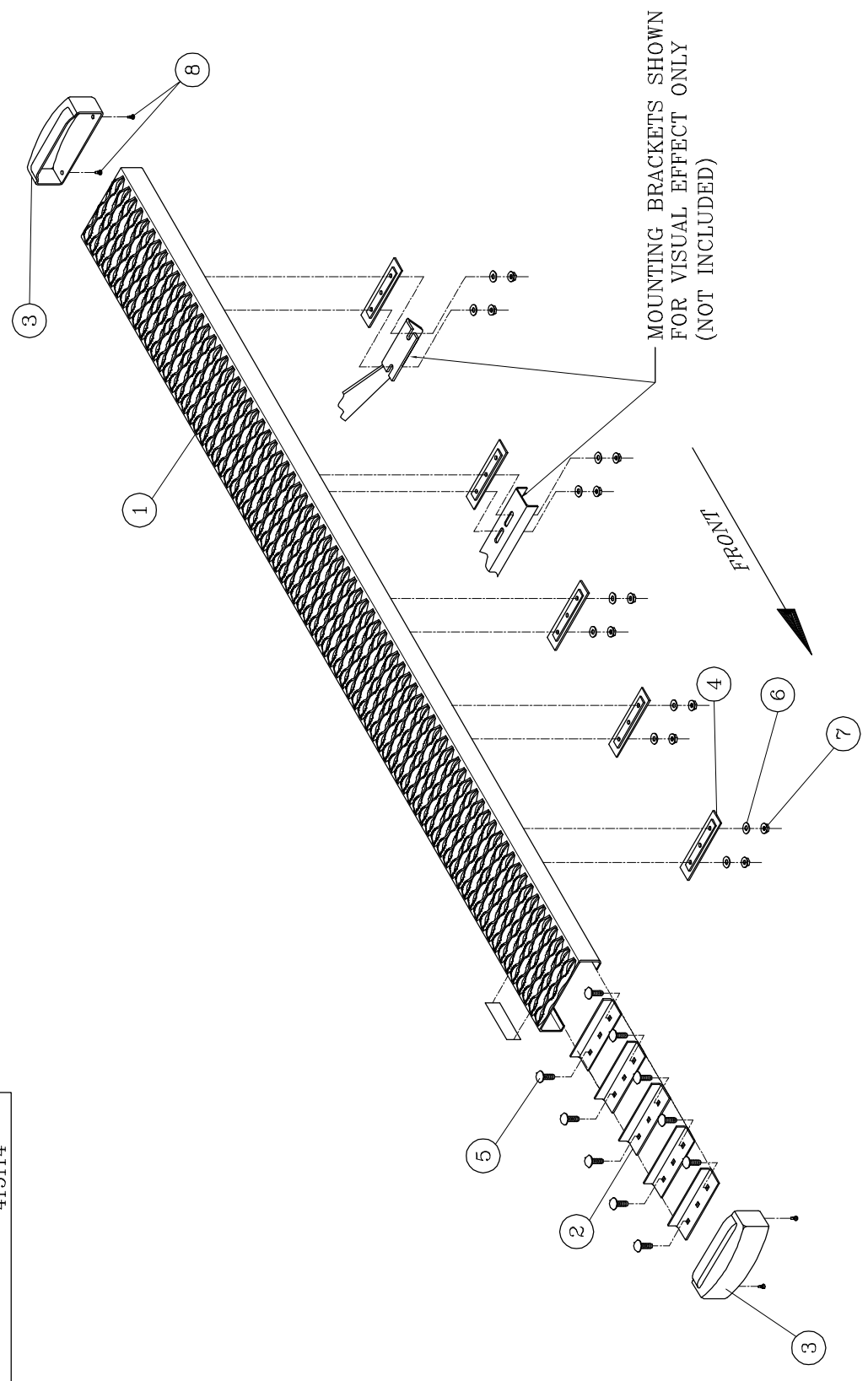
REV B 03DEC10

REV A 10JUL09

551391 SHEET 1 OF 2 01JUN09

SERVICE PARTS LIST

MODEL NO. - 415098
 415102
 415114





INSTALLATION INSTRUCTIONS AND PARTS LIST

APPLICATION: **MODEL 401338 REGAL 7/GRIP STEP BRACKET KIT:**
2013+ DODGE RAM 3500 CAB PICKUPS



READ INSTRUCTIONS COMPLETELY AND CHECK TO MAKE SURE THAT ALL REQUIRED PARTS (LISTED ON THE SERVICE PARTS LIST) ARE ON HAND BEFORE STARTING THE INSTALLATION.

2. ATTACH THE MOUNTING BRACKETS TO THE VEHICLE AS FOLLOWS:

RAM TRUCKS WITH THREADED INSERTS IN THE ROCKER PANEL.

- 2.1 PLACE THE DRIVERS SIDE FRONT BRACKET (ITEM #1) UP TO THE PINCHWELD SO THAT THE LOWER MOUNTING FLANGE IS TO THE OUTSIDE OF THE PINCHWELD, ALIGN THE TWO RECTANGULAR HOLES OF THE LOWER MOUNTING FLANGE OF (ITEM #1) WITH THE TWO OBOUNDED HOLES IN THE PINCHWELD, INSERT THE TWO 1/4-20 X 1" CARRIAGE BOLTS (ITEM #8) THROUGH THE LOWER MOUNTING FLANGE AND THEN THROUGH THE PINCHWELD, PLACE A 1/4" FLAT WASHER (ITEM #9), AND 1/4-20 FLANGE NUT (ITEM #10) ON TO THE CARRIAGE BOLTS, LEAVE FINGER TIGHT. **SEE FIGURES 1 & 2.**
- 2.2 INSERT AN M8 X 25mm SCREW (ITEM # 11) WITH A 5/16" FLAT WASHER (ITEM #12) THROUGH THE SLOTS ON THE UPPER MOUNTING FLANGE, LEAVE FINGER TIGHT.
- 2.3 REPEAT STEPS 2.1 & 2.2 ON THE MIDDLE, AND REAR BRACKETS (ITEM #2).
- 2.4 FOR THE PASSENGER SIDE THE INSTALLATION IS A MIRROR IMAGE OF THE DRIVERS SIDE, USE (ITEM #2) FOR THE FRONT BRACKET, (ITEM #1) FOR THE MIDDLE, AND REAR BRACKET.

RAM TRUCKS WITHOUT THREADED INSERTS IN THE ROCKER PANEL.

- 2.5 ON THE VERTICAL WALL OF THE ROCKER PANEL, INSTALL THE T-BOLT WELDMENT (ITEM #14) INTO THE LARGE OBOUNDED HOLE INSERTING THE NUT END FIRST, LEAVING THE THREADED STUD STICKING OUT OF THE OBOUNDED HOLE. **BE CAREFULL NOT TO DROP THE T-BOLT INSIDE OF THE ROCKER PANEL.** ATTACH THE FLAT PLASTIC BOLT RETAINER (ITEM #15) TO THE THREADED STUD OF THE T-BOLT. (THIS IS TO KEEP THE T-BOLT FROM FALLING INTO THE ROCKER PANEL.)
- 2.6 PLACE THE DRIVERS SIDE FRONT BRACKET (ITEM #1) UP TO THE PINCHWELD SO THAT THE LOWER MOUNTING FLANGE IS TO THE OUTSIDE OF THE PINCHWELD, ALIGN THE TWO RECTANGULAR HOLES OF THE LOWER MOUNTING FLANGE OF (ITEM #1) WITH THE TWO OBOUNDED HOLES IN THE PINCHWELD, INSERT THE TWO 1/4-20 X 1" CARRIAGE BOLTS (ITEM #8) THROUGH THE LOWER MOUNTING FLANGE AND THEN THROUGH THE PINCHWELD, PLACE A 1/4" FLAT WASHER (ITEM #9), AND 1/4-20 FLANGE NUT (ITEM #10) ON TO THE CARRIAGE BOLTS, LEAVE FINGER TIGHT. **SEE FIGURES 3 & 4.**
- 2.7 PLACE A FLAT WASHER (ITEM #12), AND AN M8 FLANGE NUT (ITEM #13), ON THE THREADED STUD OF THE T-BOLT (ITEM #14) LEAVE FINGER TIGHT.
- 2.8 ROTATE THE T-BOLT SO THAT THE THREADED NUT IS VISIBLE THROUGH THE SLOTTED HOLE IN THE UPPER MOUNTING FLANGE, INSERT AN M8 X 25mm SCREW (ITEM #11) WITH A 5/16" FLAT WASHER (ITEM #12), LEAVE FINGER TIGHT.
- 2.9 REPEAT STEPS 2.5 THRU 2.8 ON THE MIDDLE AND REAR BRACKETS (ITEM #2).
- 2.10 FOR THE PASSENGER SIDE THE INSTALLATION IS A MIRROR IMAGE OF THE DRIVERS SIDE, USE (ITEM #2) FOR THE FRONT BRACKET, (ITEM #1) FOR THE MIDDLE, AND REAR BRACKET.

3. ATTACH THE MOUNTING BRACKETS TO THE SHACKLE MOUNT OF THE VEHICLE AS FOLLOWS.
4. ATTACH THE UPPER MOUNTING BRACKET (ITEM #4) TO THE SIDE OF THE LEAF SPRING SHACKLE BY LOOSENING THE BOLT THAT FASTENS THE LEAF SPRING TO THE VEHICLE. SLIDE THE UPPER MOUNTING BRACKET (ITEM #4) BETWEEN THE BOLT HEAD AND THE FRAME BRACKET, THEN PLACE A 3/8 BOLT AND WASHER (ITEM #5, 7) THROUGH THE HOLE IN THE UPPER MOUNTING BRACKET (ITEM #4) AND FRAME BRACKET THEN FASTEN WITH A 3/8" SERRATED FLANGE NUT (ITEM #6). TIGHTEN THE LEAF SPRING BOLT MAKING SURE THAT THE UPPER MOUNTING BRACKET (ITEM #4) IS LEVEL.
5. FASTEN THE LOWER BRACKET (ITEM #3) TO THE UPPER BRACKET (ITEM #4) USING A 3/8" BOLT, WASHER, AND FLANGE NUT (ITEMS #5,6,7) USING THE TWO LOWER HOLES IN THE UPPER BRACKET MAKING SURE THAT IT SITS LEVEL TO THE FRONT BRACKETS.
6. INSTALL THE STEP PLATES, AND ADJUST BRACKETS, AND BOARDS BEFORE TIGHTENING ALL THE FASTENERS.

SERVICE PARTS LIST

ITEM	PART NO.	QTY	DESCRIPTION
1	553092	3	BRKT-MTG, WLDMNT, FRONT LH, MID RH. 401632
2	553093	3	BRKT-MTG, WLDMNT, FRONT RH, MID LH. 401632
3	552125	2	BRKT-MTG, GRIP, W2W, LH/RH, LOWER
4	552147	2	BRKT-MTG, GRIP, W2W, LH/RH, UPPER
5	100062	6	WSHR, FLAT, 3/8", .438 ID X 1.00 OD X .083" THK
6	100181	6	NUT, SERR FLG, HEX, 3/8-16 UNC, ZP
7	100040	6	SCR-HEX HD, 3/8-16 X 1.0" UNC, ZP
8	101320	12	BLT-CRG, 1/4-20 X 1.00", SST, BLK, EM6219
9	101370	12	WSHR-FL, SST, .281 X .625 X .065
10	102366	12	NUT-FLG, HEX, 1/4-20, SST
11	102549	12	SCR-HEX HD, M8 X 1.25 X 25mm, ZP
12	100034	12	WSHR-FL, 5/16, ZP
13	105859	6	NUT HEX-FLG, M8 X 1.25, ZP
14	553012	6	T-BOLT WELDMNT, ZP, 571632
15	101572	6	BOLT RETAINER-PLASTIC, 8mm

SERVICE PARTS LIST

BRACKET NO. - 401338

INSTALLATION ON ROCKER
PANELS WITH THREADED
INSERTS

Fig. 1

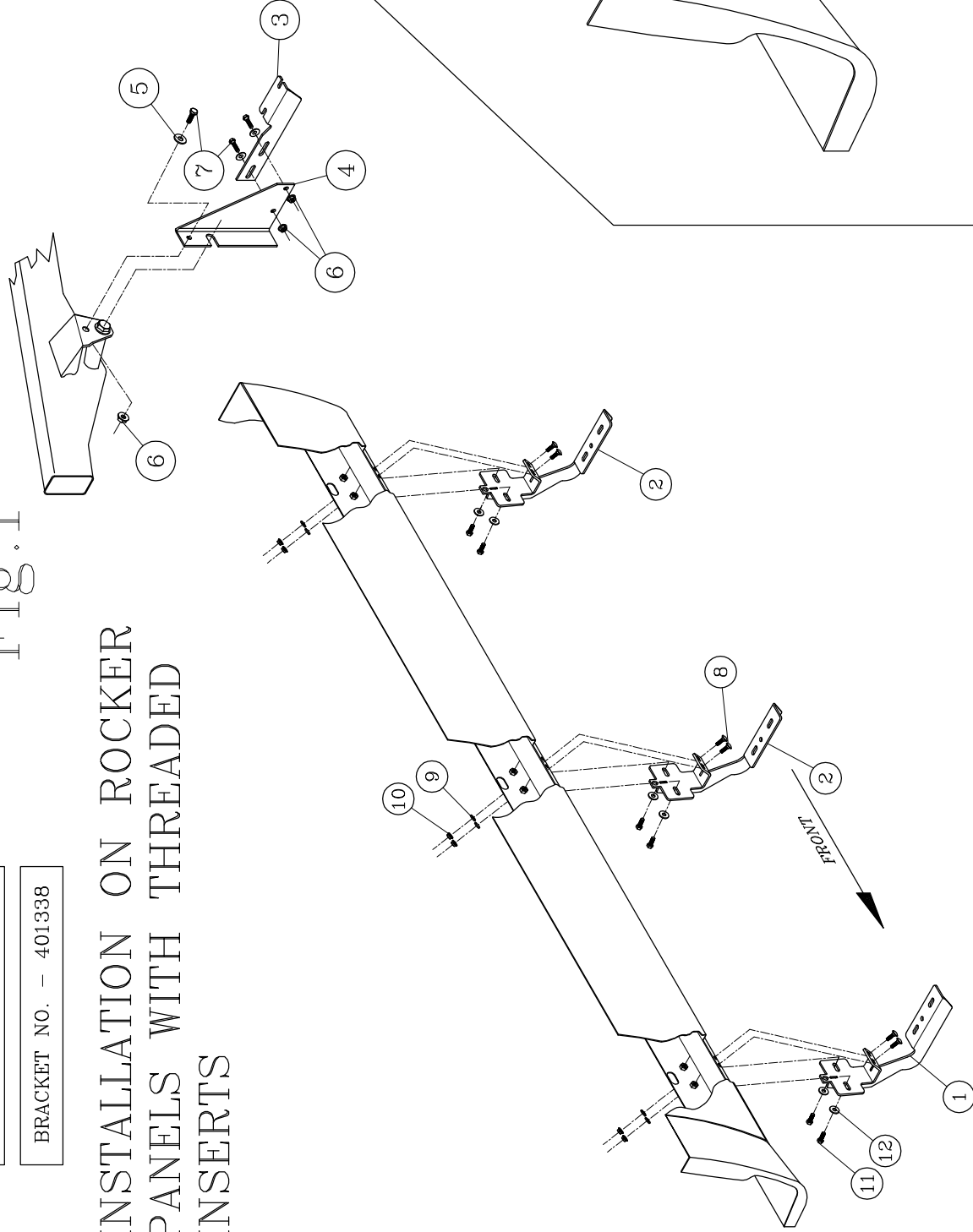
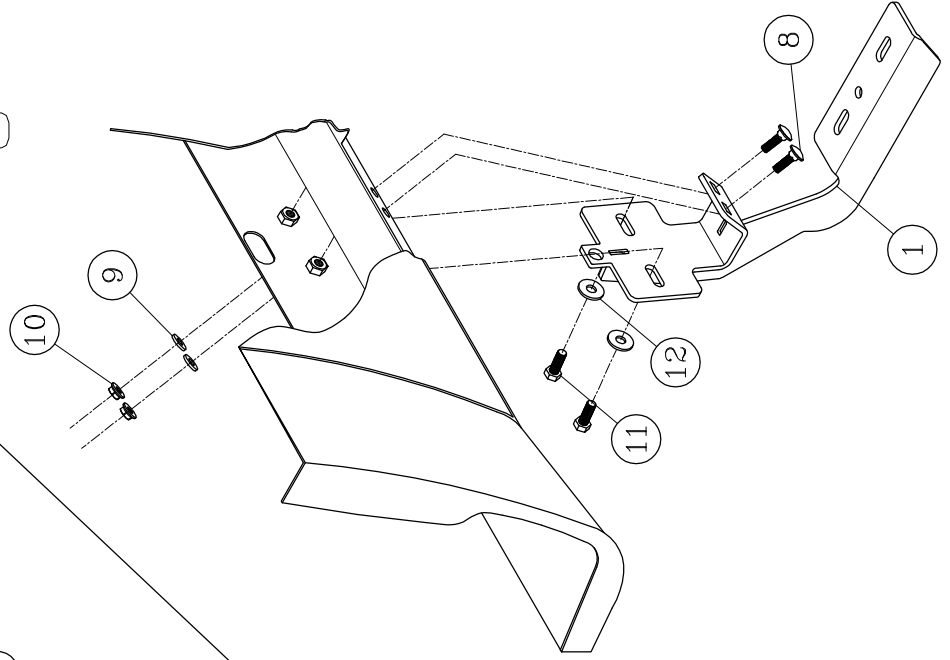


Fig. 2



LEFT (DRIVER) SIDE SHOWN
-RIGHT (PASSENGER) SIDE OPPOSITE-



SERVICE PARTS LIST

BRACKET NO. - 401338

INSTALLATION ON ROCKER
PANELS WITHOUT
THREADED INSERTS

Fig. 3

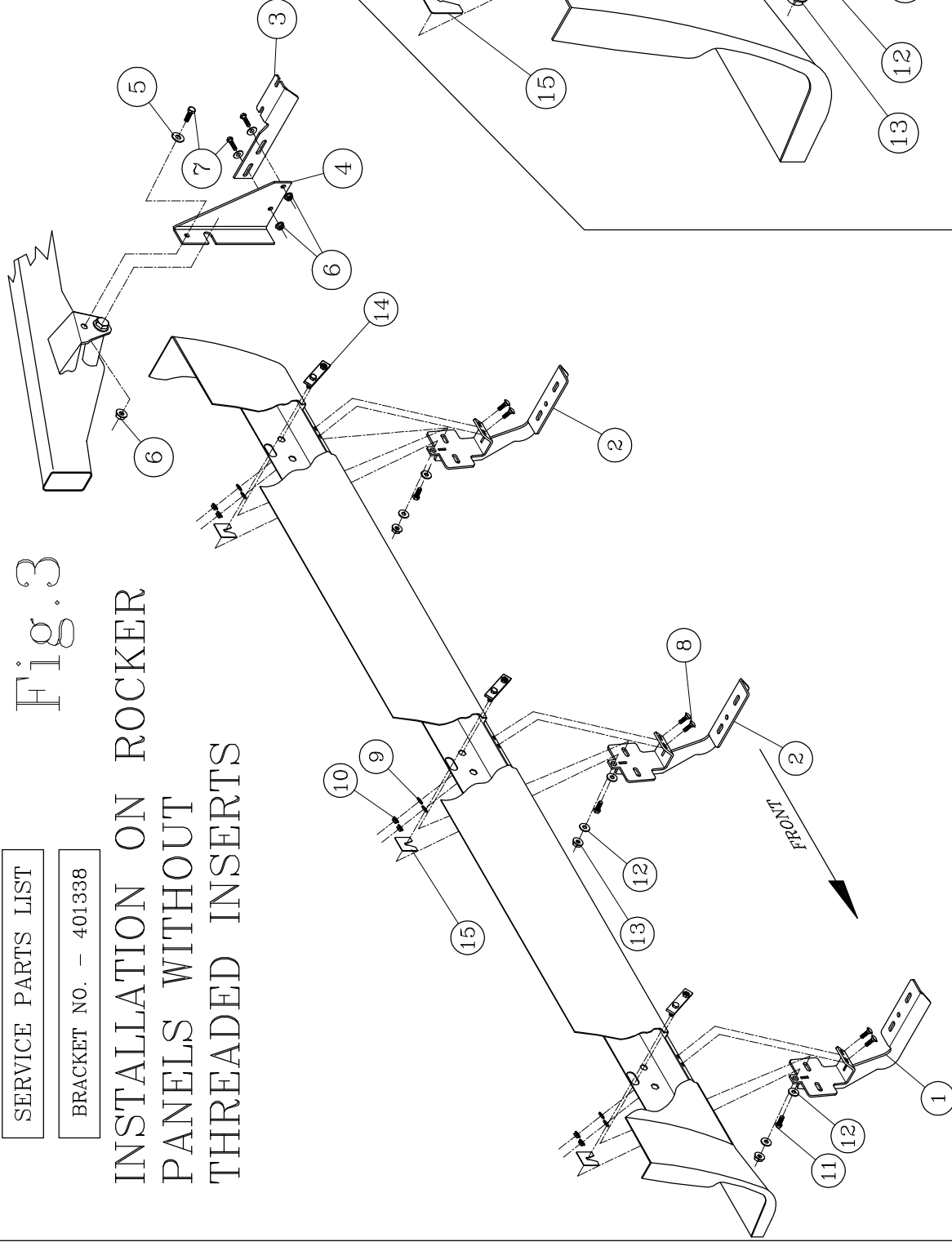
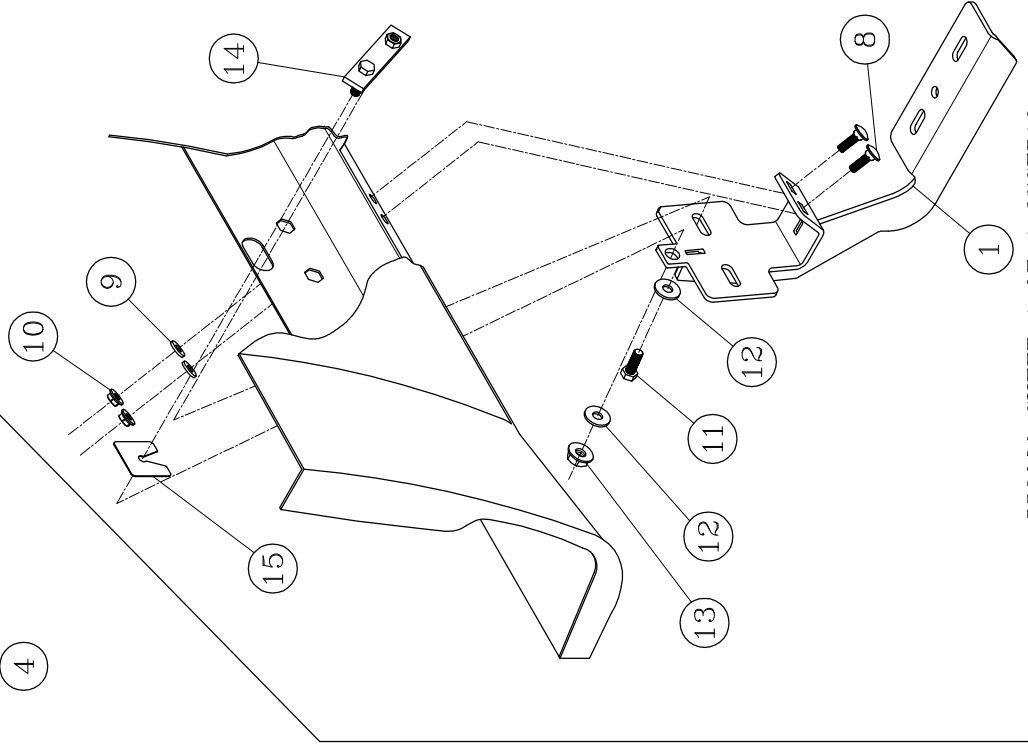


Fig. 4



LEFT (DRIVER) SIDE SHOWN
-RIGHT (PASSENGER) SIDE OPPOSITE-

