

**INSTALLATION INSTRUCTIONS AND PARTS LIST**  
**MODEL 477078, 477088, 477098 REGAL 7 OVAL STEPS (BOARDS ONLY)**  
**UNIVERSAL APPLICATIONS**



1. Read instructions completely and check to make sure that all required parts (listed on the service parts list) are on hand before starting the installation.
2. Follow the instructions included with the specific bracket package that you are using to mount the brackets to your vehicle.
3. The step is pre-assembled from the factory. The serial number label is located on the front inside drivers side step assembly.
4. Attaching the step to the mounting bracket:
  - 4.1 Set the step on the mounting brackets, and slide each support mounting plate (item #9) inside the oval step and above each bracket.
  - 4.2 Using the supplied 5/16-18 x 1" black stainless steel hex bolt, washer, and serrated flange nut (items # 10,11&12) attach the step assembly, support mounting plate and mounting bracket.
  - 4.3 Set the step plate in the correct position and tighten all fasteners.  
Torque all 5/16" fasteners to 19 LB FT.

**SERVICE PARTS LIST**

ITEM	PART NO.	QTY	DESCRIPTION
1&2	552059	2	REGAL 7 OVAL STEP, LH,RH,76",477078
1&2	552060	2	REGAL 7 OVAL STEP, LH,RH,86",477088
1	552061	1	REGAL 7 OVAL STEP, LH,96",477098
2	552062	1	REGAL 7 OVAL STEP, RH,96",477098
3	109233	2	END CAP LH REAR, RH FRONT,BLK PLASTIC
4	109232	2	END CAP RH REAR, LH FRONT,BLK PLASTIC
5	107863	8	BOLT-CARRAIGE, 10-24 X 0.50,SST, BLACK
6	108909	4	STEP PAD, 25" X 6.5", PLASTIC, BLACK
7	108908	24	BOLT-CARRAIGE, 10-24 X 1.0,SST, BLACK
8	107864	24	NUT-NYLOCK, 10-24, SST
9	552052	8	SUPPORT MTG PLT, 11 GA, GALV
10	106997	16	SCREW-HEX HD, 5/16-18X1.0,SST,BLACK
11	106998	16	WSHR-FLAT, 5/16, SST, BLACK
12	102680	16	NUT-SER FLG, 5/16-18, SST



(A LUVERNE Company)

1200 E. Birch St.

Brandon, SD 57005

REV A 31JUL12  
552065 SHEET 1 OF 2 24FEB12

## INSTALLATION INSTRUCTIONS AND PARTS LIST

### MODEL 400757 GRIP\REGAL 7 STEPS W2W BRACKETS:

2007+ TOYOTA TUNDRA REGULAR & DOUBLE CAB PICKUPS W/ 6.5' & 8.0 BOXES  
07+TOYOTA TUNDRA CREW MAX PICKUP 5.5' BOX



1. READ INSTRUCTIONS COMPLETELY AND CHECK TO MAKE SURE THAT ALL REQUIRED PARTS (LISTED ON SERVICE PARTS LIST) ARE ON HAND BEFORE STARTING THE INSTALLATION.
2. ATTACH THE MOUNTING BRACKETS TO THE VEHICLE USING EXISTING MOUNTING HOLES ON THE INTERIOR WALL OF THE ROCKER PANEL. **(NOTE: THE BRACKETS MUST BE PLACE IN THE PROPER POSITION. THEY ARE IDENTIFIED WITH NOTCHES ON THE INBOARD EDGE. [1 NOTCH IS FOR #1 BRACKET, ETC.] #1 WILL BE AT THE FRONT OF THE VEHICLE. SEE FIG. 1).**
  - 2.1 NOTE THAT ON THE REGULAR CAB APPLICATIONS YOU WILL ONLY USE BRACKETS #1 (ITEM #1) AND #3 (ITEM #3) FOR THE CAB MOUNTS.
  - 2.2 POSITION THE BRACKETS ON THE VEHICLE SO THAT BOTH HOLES LINE UP WITH THE THREADED INSERTS IN THE ROCKER PANEL ATTACH THE TOP OF THE BRACKET WITH A M8-1.25 X 25MM ZINC PLATED HEX HEAD CAP SCREW, 5/16" FLAT WASHER AND LOCK WASHER (ITEMS #14, #15 & #16). LEVEL THE BRACKETS AND TIGHTEN THE FASTENERS TO 19 LB FT.
3. ATTACH THE W2W BRACKET TO THE LEAF SPRING MOUNT.
  - 3.1 INSERT CLIPPED BOLT (ITEM # 11) INTO THE INBOARD BRACKET (ITEM #5 FOR DRIVERS SIDE, OR #6 FOR PASSENGERS SIDE) AND PLACE A NUT (ITEM #12) ON JUST A FEW THREADS LEAVING IT LOOSE FOR NOW.
  - 3.2 HOLD BRACKET UP TO LEAF SPRING MOUNT AND PLACE CLIPPED BOLT INTO OBROUND HOLE. FINGER TIGHT.
  - 3.3 INSERT TOP SCREW (ITEM #13) FROM BEHIND FRAME RAIL THROUGH LEAF SPRING MOUNT AND INBOARD BRACKET AND PLACE NUT (ITEM #12) LEAVE FINGER TIGHT UNTIL BOARD IS MOUNTED, THEN TIGHTEN BOTH 7/16-14 NUTS TO 54 LB-FT.
  - 3.4 MOUNT OUTBOARD BRACKET (ITEM #7) TO INBOARD BRACKET (ITEM #5 FOR DRIVERS SIDE, OR #6 FOR PASSENGERS SIDE) USING (2) SCREWS, WASHERS AND NUTS (ITEMS # 8, 9 &10) LEAVE THESE FASTENERS FINGER TIGHT UNTIL THE BOARD IS MOUNTED, THEN TIGHTEN TO 19 LB-FT. REPEAT STEPS 2 AND 3 ON THE PASSENGER SIDE.

NOTE : SEE STEP BOARD PACKAGE FOR INSTRUCTIONS ON MOUNTING YOU STEPS TO YOUR BRACKETS.

## SERVICE PARTS LIST

ITEM	PART NO.	QTY	DESCRIPTION
1	551985	2	BRKT- MTG, STEP, #1, TOYOTA TUNDRA
2	551986	2	BRKT- MTG, STEP, #2, TOYOTA TUNDRA
3	551987	2	BRKT- MTG, STEP, #3, TOYOTA TUNDRA
4	551988	2	BRKT- MTG, STEP, #4, TOYOTA TUNDRA
5	552123	1	BRKT-MTG,INBOARD,REAR,LH (SHOWN)
6	552124	1	BRKT-MTG,INBOARD,REAR,RH
7	552125	2	BRKT-STEP,REAR,OUTBOARD,W2W
8	106997	4	SCREW HHC,SST,5/16 X 1.00,BZP
9	106998	4	WASHER STL,.38 X .88 X.083,BZP
10	106996	4	NUT FLANGED,SST,5/16"-18,BZP
11	104934	2	BOLT-CLIPPED HD,7/16-14 X 1.00,ZP
12	103737	4	NUT-HEX,FLANGED 7/16-14,ZP
13	103468	2	SCR-HEX HD,7/16-14 X 1.00,ZP
14	102549	16	SCREW-M8-1.25X25MM,ZP
15	100030	16	WASHER-LOCK, 5/16" ZP
16	100034	16	WASHER-FLAT, 5/16" ZP

SERVICE PARTS LIST

MODEL NO. - 400757

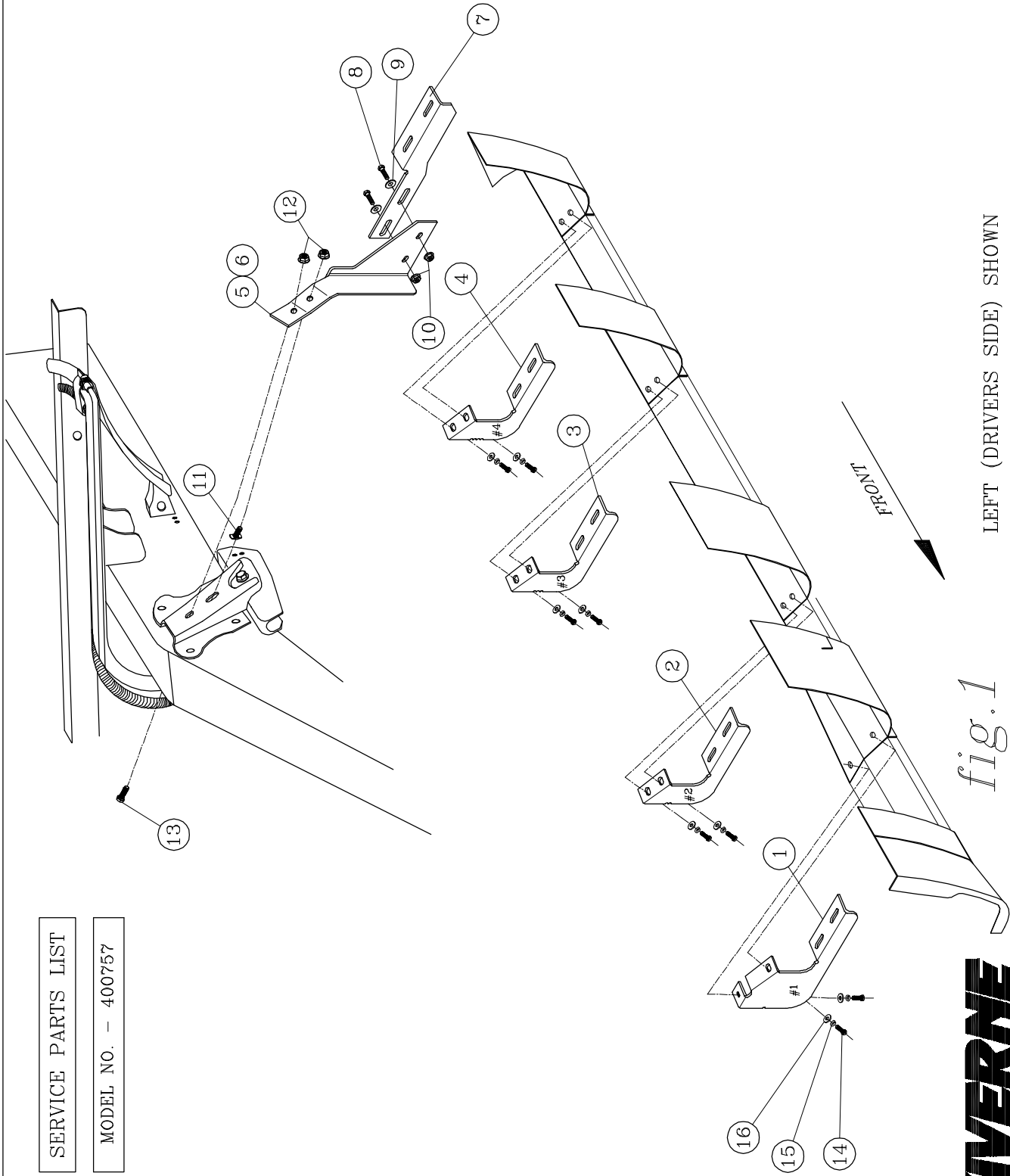


fig. 1

LEFT (DRIVERS SIDE) SHOWN



(A LOVERNE Company)

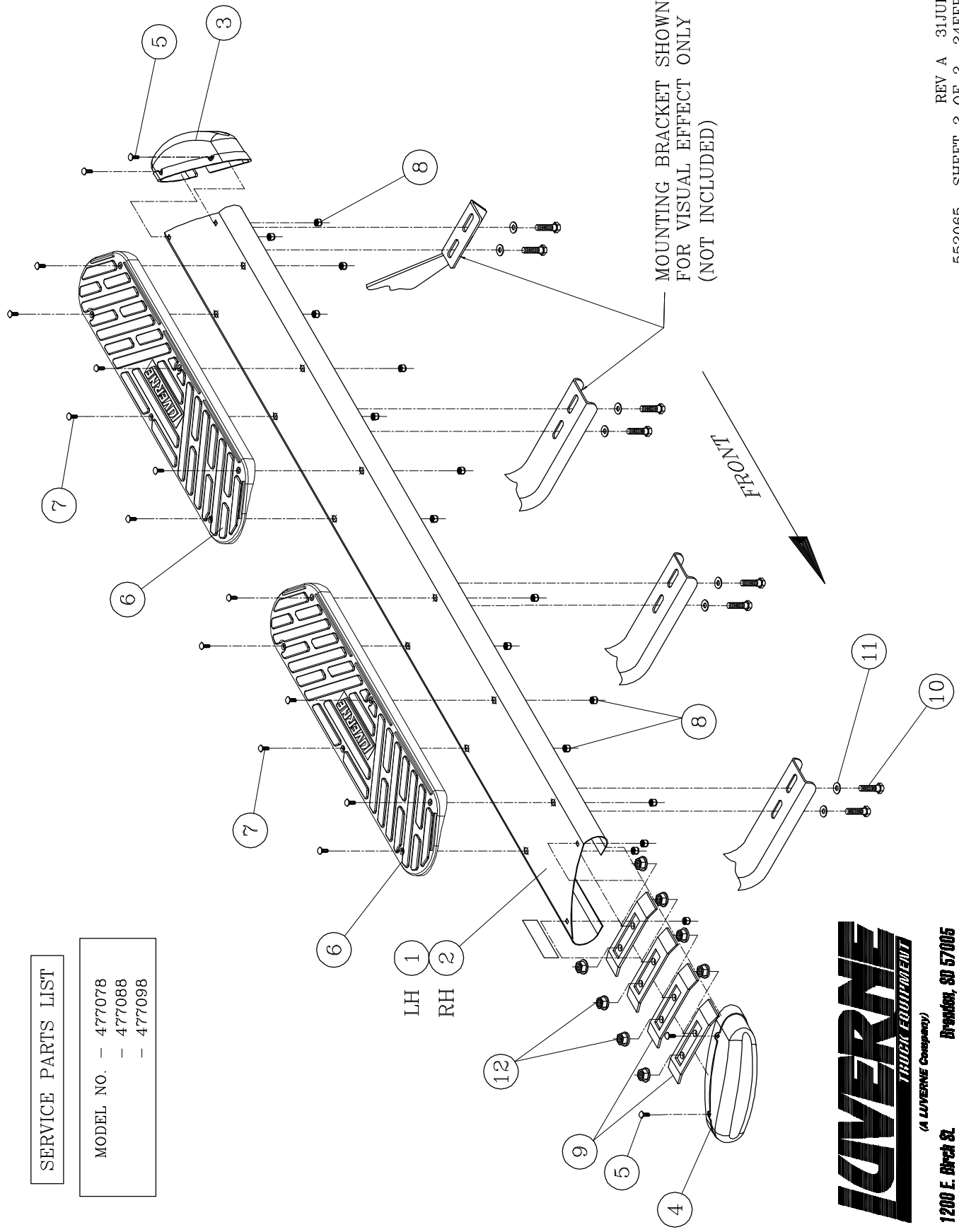
1200 E. Blvd. St. Brewster, SD 57805

SERVICE PARTS LIST

MODEL NO. - 477078  
 - 477088  
 - 477098

LH

RH



MOUNTING BRACKET SHOWN  
 FOR VISUAL EFFECT ONLY  
 (NOT INCLUDED)

FRONT

**LAVERNE**  
 TRUCK EQUIPMENT  
 (A LUYERNE Company)

1200 E. Birch St.  
 Brandon, SD 57005

552065 SHEET 2 OF 2 24FEB12  
 REV A 31JUL12