

## 99-01 GM TRUCK / 00-01 SUBURBAN, TAHOE, YUKON WITH FENDER FLARES FRONT MUD GUARDS INSTALLATION INSTRUCTIONS

*Please read instructions thoroughly before installation.*

### Tools Required:

- 1/8" drill bit / Drill
- Center punch / Hammer
- Short Phillips screwdriver or drill attachment
- Flat head screwdriver
- Marking utensil (fine tip marker, grease pencil, etc.)

### Package Contents:

- Driver & passenger side front mud guards
- #10 screw (qty. 6)
- Washer (qty. 6)
- U-Clip (qty. 4)
- Instruction sheet

**NOTE:** Turn the front wheels all the way to the left or right for front mud guard installation.

1. Clean and degrease the mud guard location area on the fender before installation.
2. Remove existing plastic rivets from locations C, D, and E by prying insert (1) out of sleeve (2) with a flat tip screwdriver and removing the sleeve (2) (Figure 1 and 3).
3. Remove plastic fastener from location B by cutting the head off the fastener and pushing the remaining stud through the hole.
4. Pull the fender liner back and slide a U-Clip over locations B and C (Figure 1 and 2).  
**NOTE:** the upper factory fender hole will not be used – DO NOT REMOVE EXISTING FASTENER.
5. Attach mud guard at location B with a #10 screw and washer. Adjust accordingly before tightening screw.
6. Reinstall fender liner with existing plastic rivets at locations D and E, fender liner should not over lap mud guard.
7. Install a # 10 screw and washer at location C.
8. Center punch and drill an 1/8" hole at location A and fasten with a #10 screw and washer.

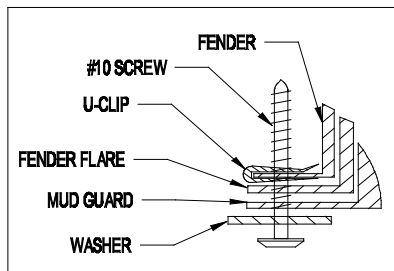


Figure 2

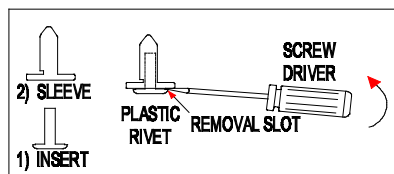


Figure 3

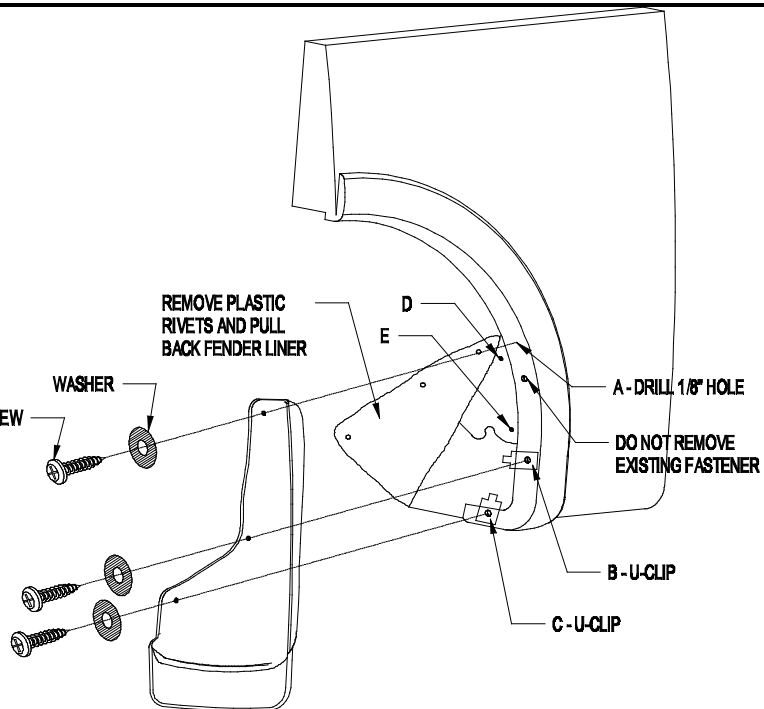
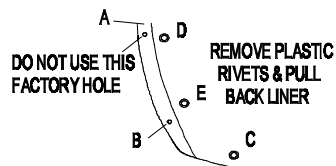


Figure 1

### PAINTING INSTRUCTIONS

1. Clean mud guard with a soap and water solution to remove dirt and other contaminants.
2. Sand painting surface with 320 grit sand paper.
3. Apply a coating of flexible primer-adhesion promoter.
4. Apply a flexible paint as directed by the paint manufacturer.