

### FORD ESCAPE / MERCURY MARINER (WITHOUT RUNNING BOARDS) FRONT MUD GUARD - INSTALLATION INSTRUCTIONS

**Please read instructions thoroughly before installation.**

#### **Tools Required**

- Short Phillips screwdriver
- Drill / 1/8" drill bit

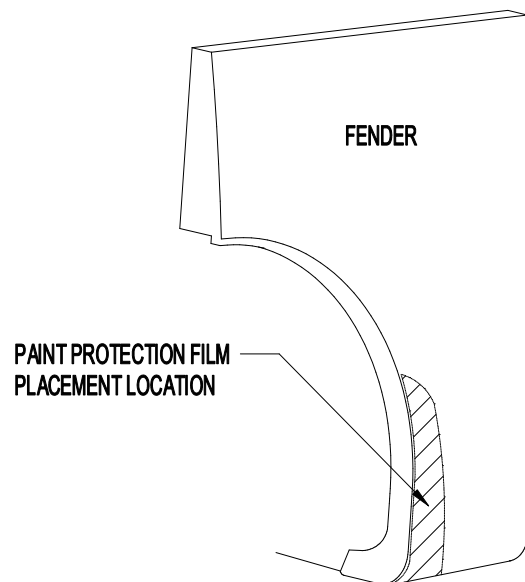
#### **Package Contents**

- Driver & passenger side front mud guards
- #10 SEM Screws (qty. 4)
- U-Clips (qty. 2)
- Paint Protection Film (1 set)
- Instruction sheet

#### **PAINT PROTECTION FILM - INSTALLATION**

**NOTE: The Paint Protection Film is a precut template of film used to protect the mud guard mounting surfaces of your fenders against wear. The templates (left and right side) can be removed from the backing liner by folding the liner at the center cut of the template, separating the film sides and peeling the film templates from the backing liner.**

1. Position mud guard on fender to indicate placement location of paint protection film.
2. Clean the placement area of fender with a clean cotton cloth and a petroleum distillate based cleaner such as DuPont Prep-Sol Brand Solvent Cleaner or 3M Brand Adhesive Cleaner and dry.
3. Mix a wetting solution of 1 pint of water with 4 drops of liquid dishwashing detergent.
4. Mark correct position of film by placing mud guard against fender.
5. Remove protection film from liner and flood adhesive side of film with wetting solution (use a spray bottle or sponge).
6. Thoroughly wet film placement location of fender with wetting solution.
7. Position the adhesive side of film on fender and flood with wetting solution.
8. Check location of film with mud guard and reposition as necessary.
9. Using a sponge, squeegee any air bubbles and wrinkles from film.
10. Allow film to dry before installing mud guard.



### MUD GUARD INSTALLATION

**NOTE: Turn front wheels left or right to allow clearance for mud guard installation. It may also be necessary to remove the wheels before mud guard installation.**

1. Remove the existing fasteners from locations A and C (Figure 1).
2. Pull back fender liner and install a U-Clip at location C and align U-Clip hole with sheet metal hole (Figure 1 and 2).
3. Attach the Mud Guard at location A with the existing factory fastener. Check the Mud Guard fit and appearance before tightening (see Figure 1).
4. Attach Mud Guard at location C with a #10 SEM Screw.
5. Using the mud guard as a template, mark and drill a 1/8" hole at location B.
6. Install a #10 SEM Screw at location B.

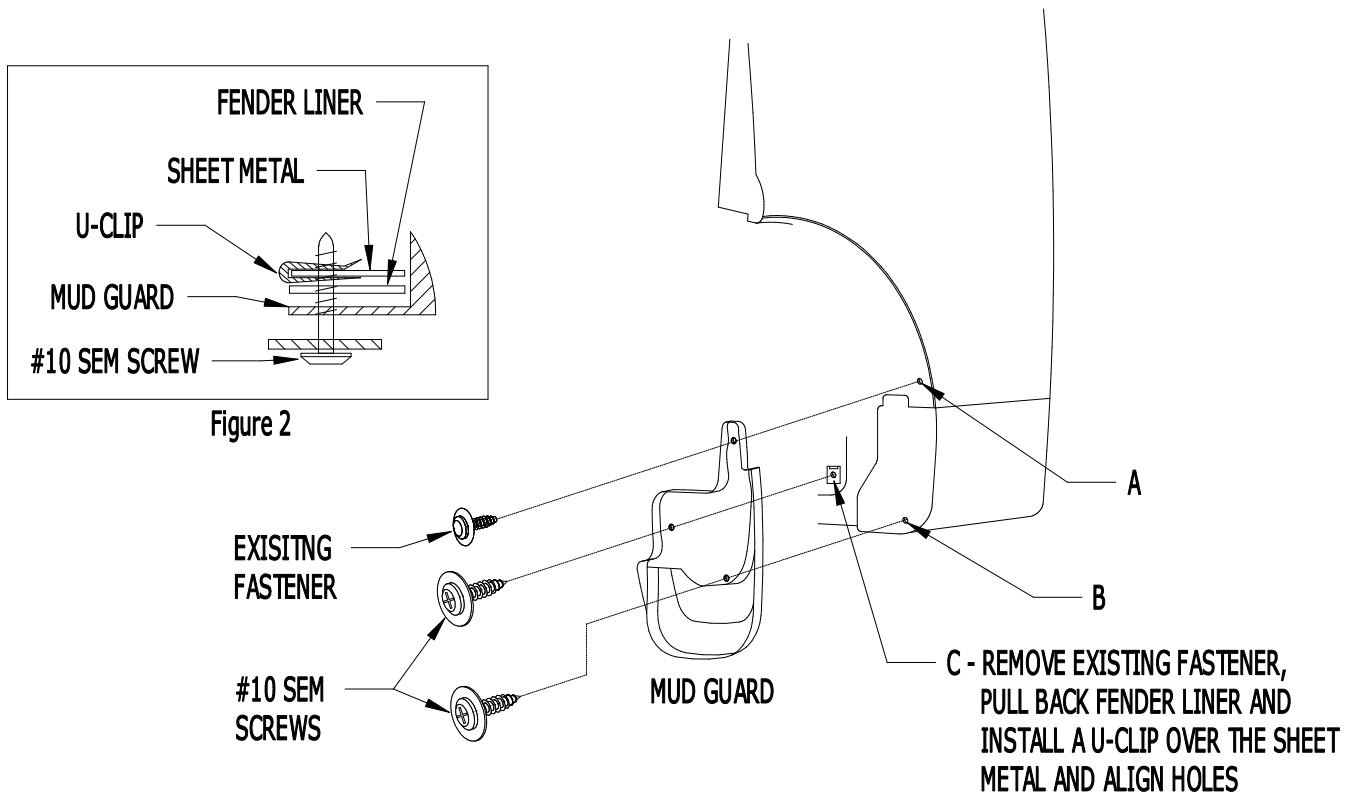


Figure 1

### PAINTING INSTRUCTIONS

1. Clean mud guard with soap and water to remove dirt and other contaminants.
2. Sand painting surface with 320 grit sand paper.
3. Apply a coating of flexible primer-adhesion promoter.
4. Apply a flexible paint as directed by the paint manufacturer.