

## FORD SUPERDUTY– WITH OE FENDER FLARES FRONT MUD GUARD - INSTALLATION INSTRUCTIONS

***Please read instructions thoroughly before installation.***

### **Tools Required**

- Short Phillips screwdriver
- Drill-1/8" Drill Bit
- Center Punch/ Hammer
- Marking Utensil (fine tip marker, grease pencil, ect.)

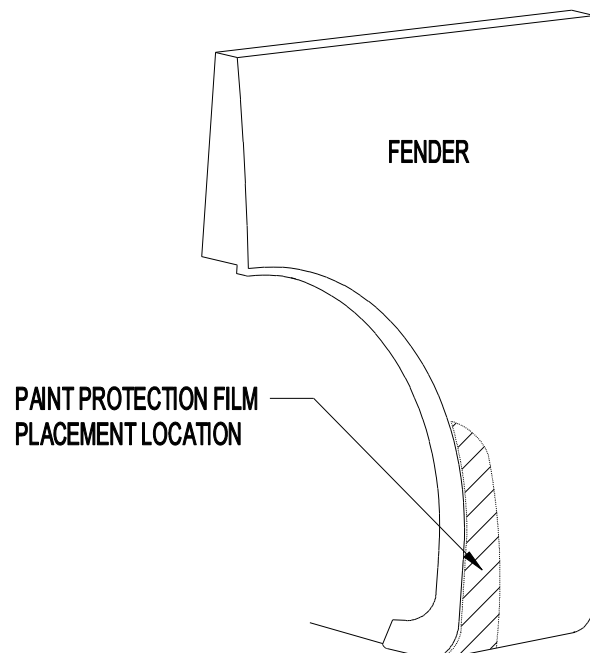
### **Package Contents**

- Driver & Passenger Side Rear Mud Guards
- #10 SEM Screws (qty. 4)
- U-Clip (qty. 2)
- Paint Protection Film (1 set)
- Instruction Sheet

### **PAINT PROTECTION FILM - INSTALLATION**

***NOTE: The Paint Protection Film is a precut template of film used to protect the mud guard mounting surfaces of your fenders against wear. The templates (left and right side) can be removed from the backing liner by folding the liner at the center cut of the template, separating the film sides and peeling the film templates from the backing liner.***

1. Position mud guard on fender to indicate placement location of paint protection film.
2. Clean the placement area of fender with a clean cotton cloth and a petroleum distillate based cleaner such as DuPont Prep-Sol Brand Solvent Cleaner or 3M Brand Adhesive Cleaner and dry.
3. Mix a wetting solution of 1 pint of water with 4 drops of liquid dishwashing detergent.
4. Mark correct position of film by placing mud guard against fender.
5. Remove protection film from liner and flood adhesive side of film with wetting solution (use a spray bottle or sponge).
6. Thoroughly wet film placement location of fender with wetting solution.
7. Position the adhesive side of film on fender and flood with wetting solution.
8. Check location of film with mud guard and reposition as necessary.
9. Using a sponge, squeegee any air bubbles and wrinkles from film.
10. Allow film to dry before installing mud guard.



**MUD GUARD INSTALLATION**

**NOTE: It may be necessary to remove the wheels before mud guard installation.**

1. Remove the existing fasteners from locations A and C (Figure 1).
2. Attach the mud guard to front fender with the existing fasteners at locations A and C, check fit and parallel. Adjust accordingly before tightening.
3. Using the mud guard as a template, mark and drill an 1/8" hole at location B. Install a #10 SEM screw
4. Using the mud guard as a template, mark and drill an 1/8" hole and install #10 SEM screw at location D (Passengers side only) , thru the mud guard, fender liner and into a u-clip on the back side of the liner. The u-clip is used as a nut, DO NOT clip over the liner (see figure 2).

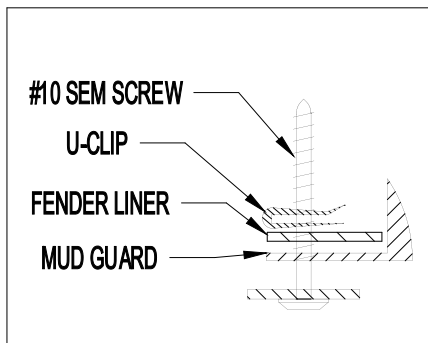


Figure 2

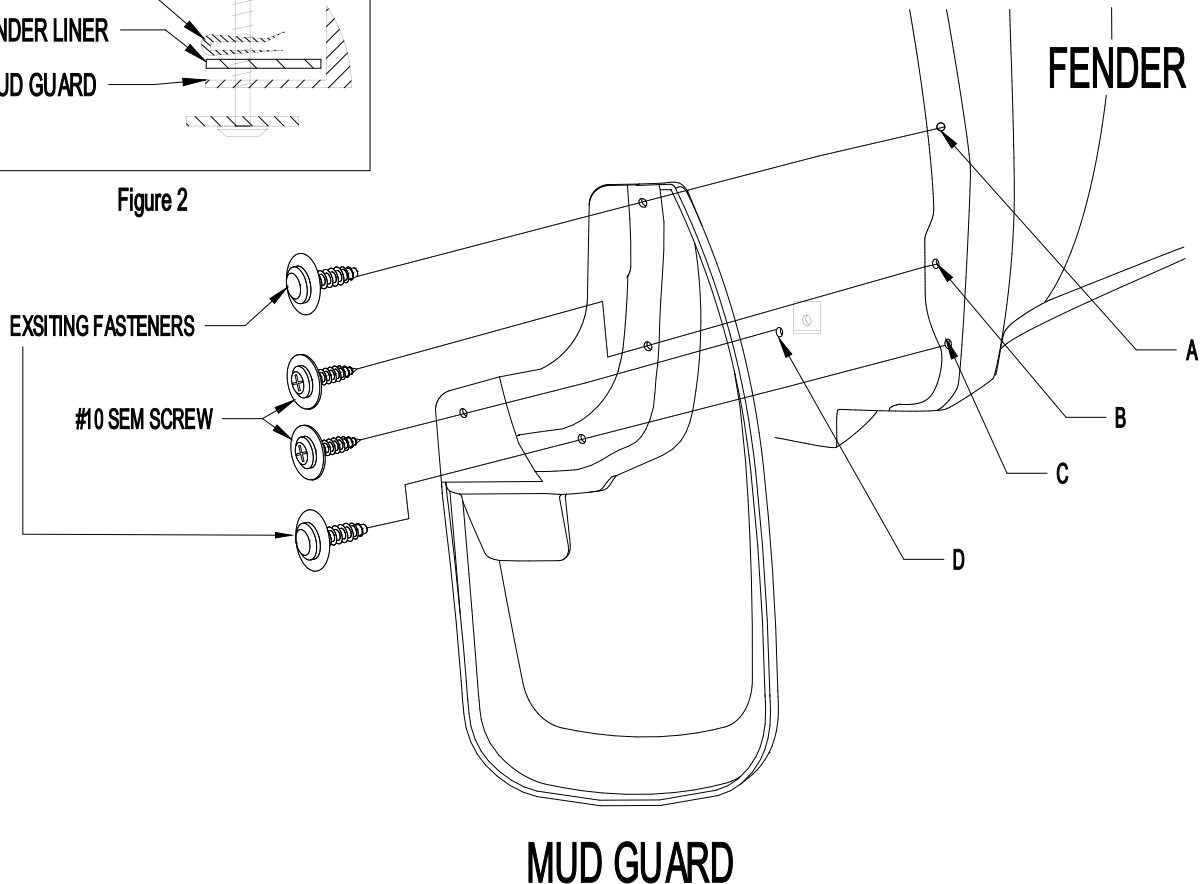


Figure 1

**View the Husky Liners® Lifetime Warranty at [www.huskyliners.com/lifetime-warranty](http://www.huskyliners.com/lifetime-warranty). Patent and Trademark can be found at [www.hl-ip.com](http://www.hl-ip.com)**