

INSTALLATION INSTRUCTIONS AND PARTS LIST

MODEL 570088/570090/570098 BLACK PLASTIC BACKSPLASH FOR MEGA STEPS & O-MEGA STEPS:

1. Read instructions completely and check to make sure that all required parts (listed on service parts list) are on hand before starting the installation.
2. This product is universal backsplash designed to fit the 88" Mega and O-Mega Step boards. It must be cut as follows to fit shorter boards:
 - 2.1. Measure the overall length of the step board that this needs to fit.
 - 2.2. Using a scissors, or utility knife, cut the backsplash approx 1-1/2" shorter than the overall length of the step board.
 - 2.3. Using the template supplied in the instruction sheets as a guide, mark the angle on the ends of the backsplash. Cut the angle using a utility knife. The notch will be located under the board.
 - 2.4. Peel and stick foam rubber tape item #3 to the top back side of backsplash about a 1/4" from top edge.
3. Attach the backsplash to the Step.
 - 3.1. Loosen all the serrated flange nuts that hold the board to the brackets.
 - 3.2. Position the backsplash up under the board, and above the brackets. The plastic should be pushed under the board so that it contacts the rear screws.
 - 3.3. **Make sure that you have compression between the top of the backsplash and the bottom of the rocker panel, so that it will not rattle.**
 - 3.4. Tighten the nuts down to the board pinching the backsplash between the board and the bracket.
4. Using the supplied self drilling screws attach the backsplash to the bottom of the board as shown in fig. 2. Space the screws out equally making sure not to hit the existing brackets. Making sure not to over tighten the screw because it may show through the rubber tread.

SERVICE PARTS LIST

ITEM	PART NO.	QTY	DESCRIPTION
1	104949	2	BACKSPLASH-BLACK PLASTIC, 570088
1	109234	2	BACKSPLASH-BLACK PLASTIC, 570098
2	108409	12	SCREW-SELFDILLING, #10 X 1/2", ZP
3	108435	2	FOAM-RUBBER TAPE, 1/16" X 1.00" X 86.00",BLACK

SERVICE PARTS LIST

MODEL NO. -	570088
MODEL NO. -	570090
MODEL NO. -	570098

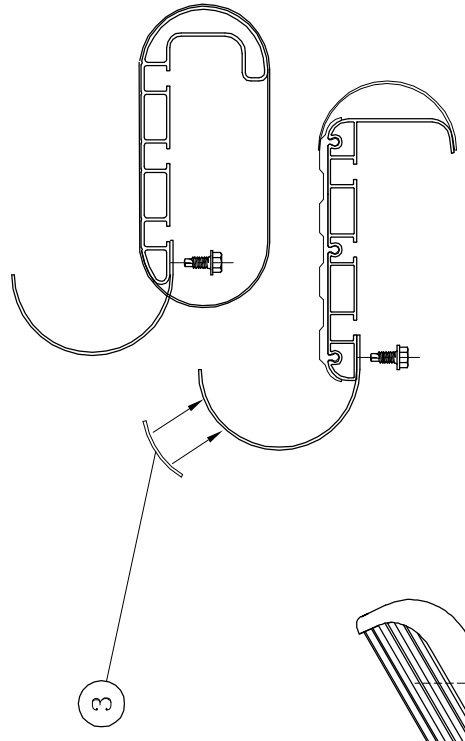
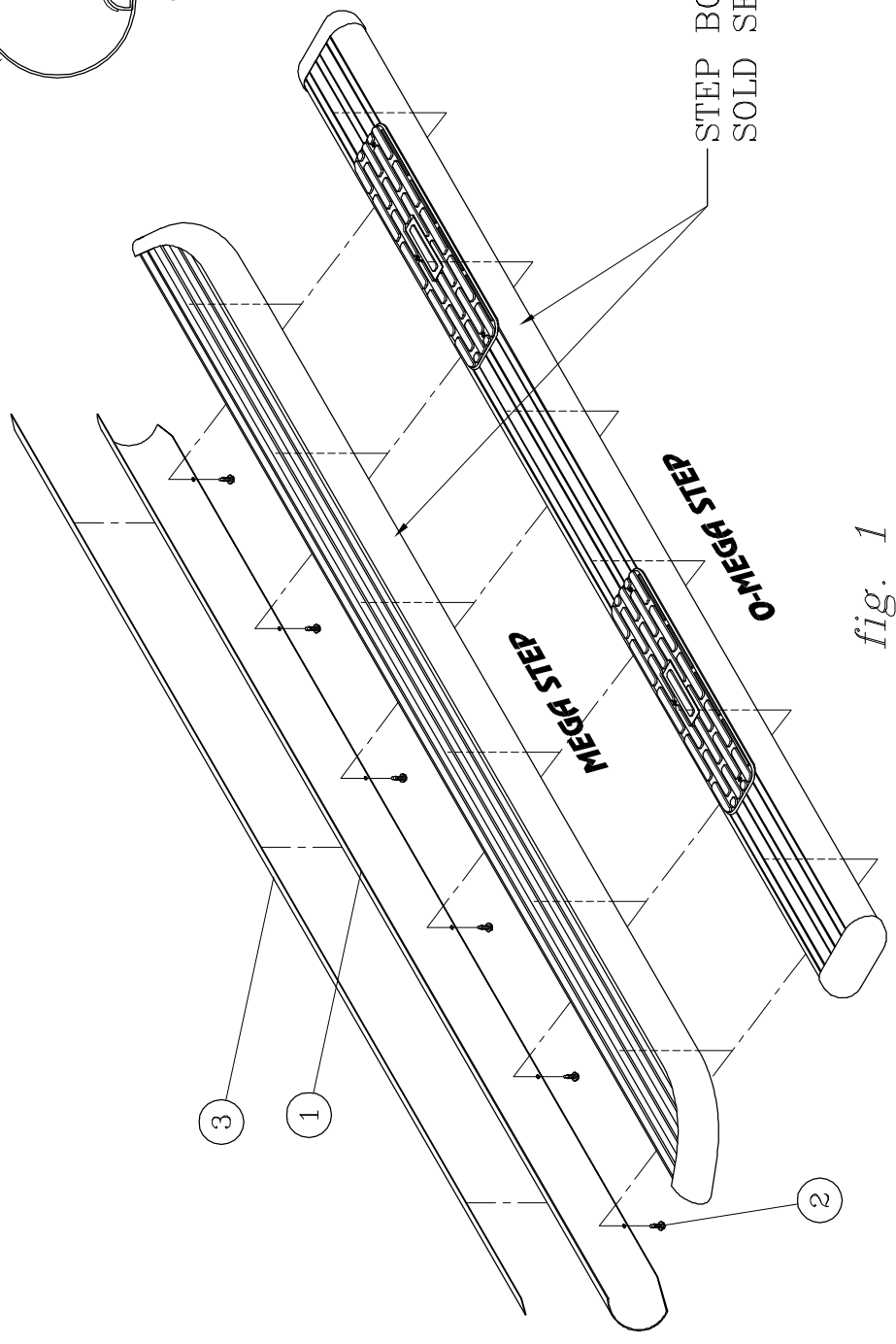
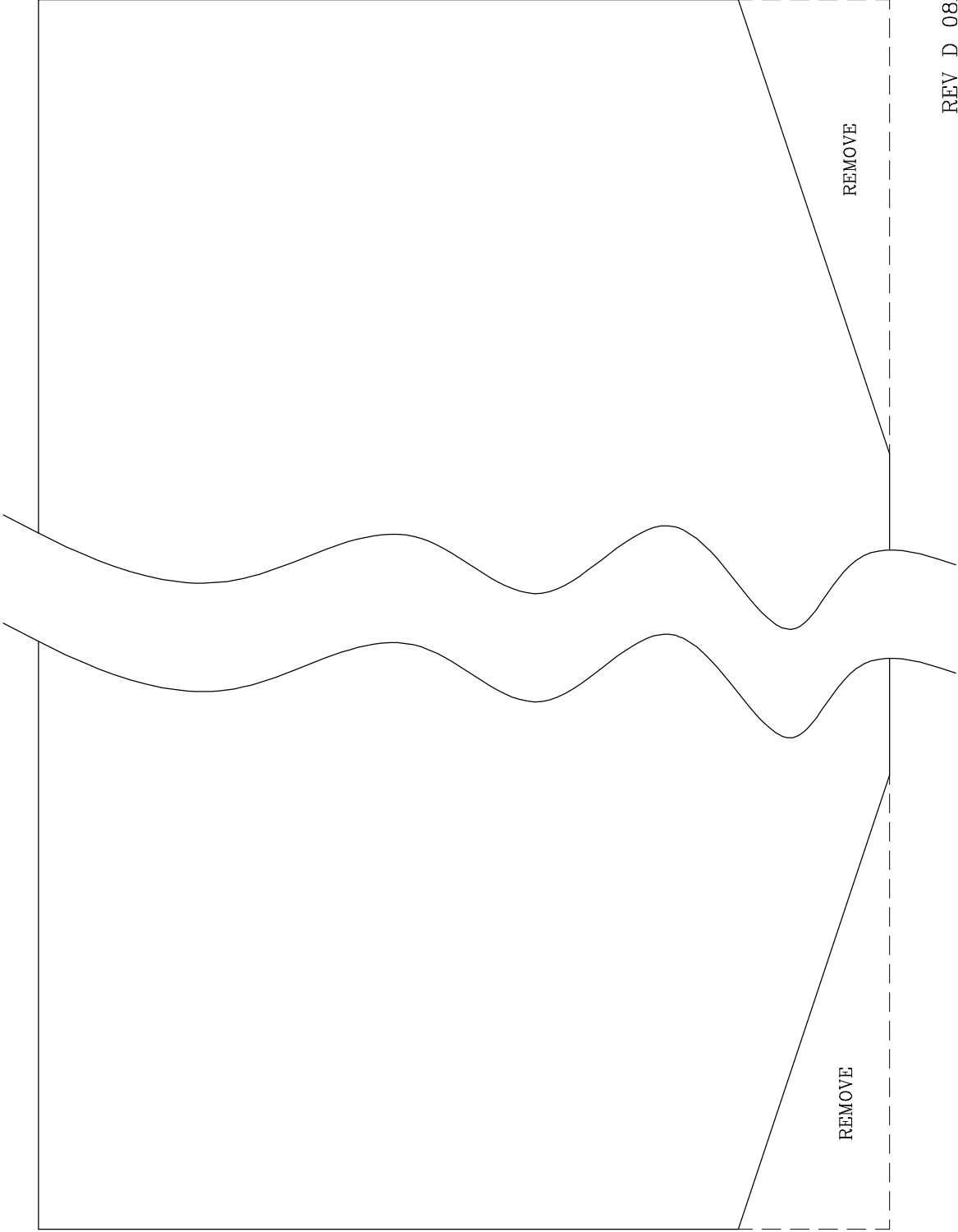


fig. 2



STEP BOARDS ARE
SOLD SEPERATELY

fig. 1



REV D 08AUG12
REV C 26JAN11
REV B 26MAY10
REV A 30JAN08

551529 SHEET 2 15MAY07

FULL SCALE

LOVERNE
TRUCK
EQUIPMENT
INC.
1200 Birch Street
Brandon, SD 57005