

99-01 GM TRUCK / 00-01 SUBURBAN, TAHOE, YUKON WITH FENDER FLARES REAR MUD GUARDS INSTALLATION INSTRUCTIONS

Please read instructions thoroughly before installation.

Tools Required:

- Short Phillips screwdriver or drill attachment
- 1/8" drill bit and drill
- Center punch and marking utensil

Package Contents:

- Driver & passenger side rear mud guards
- #10 screw (qty. 6)
- Washer (qty. 6)
- U-Clip (qty. 4)
- Instruction sheet

NOTE: It may be necessary to remove the rear wheels depending on the tools being used for installation.

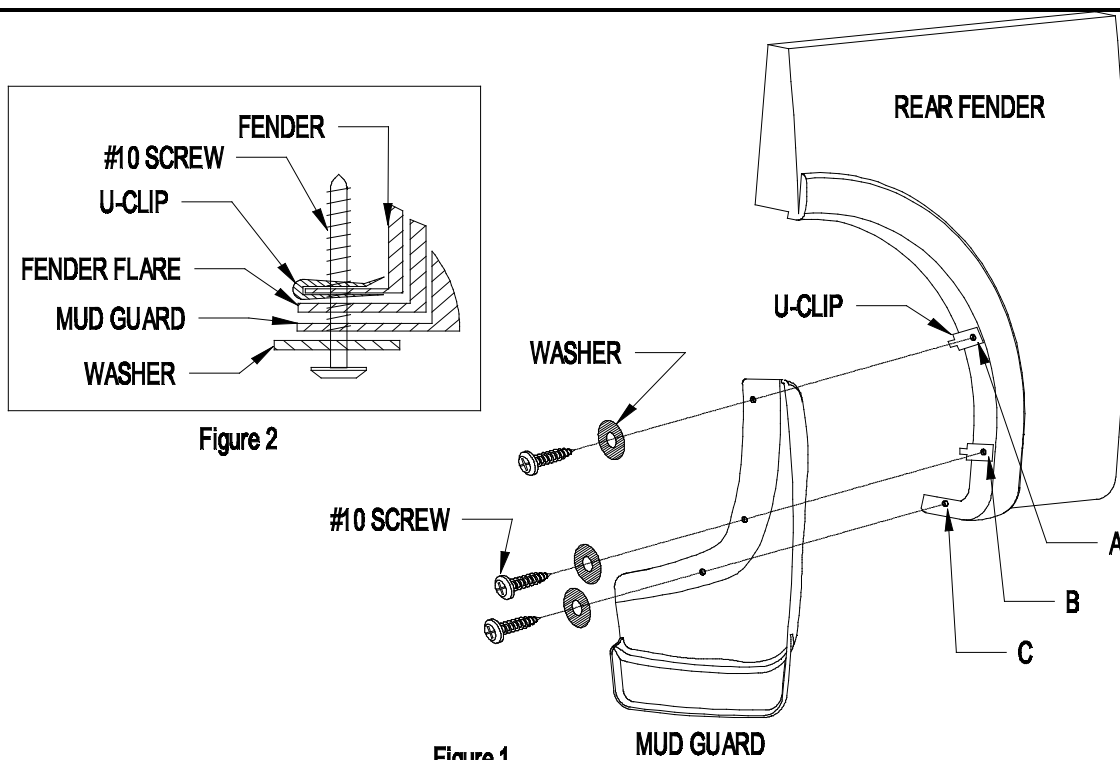
Clean and degrease the mud guard location area on the rear fender of the vehicle before installation.

TRUCK INSTALLATION

1. Remove existing fasteners from fender flare and fender at locations A and B, it may be necessary to cut the heads off of the existing plastic fasteners and push the remaining studs through the holes (Figure 1).
2. Install U-Clips on the fender over pre-existing fender holes at locations A and B (Figures 1 and 2).
3. Using mud guard as a template, mark and drill 1/8" hole at location C.
4. Attach mud guard to rear panel with #10 screws and washers at locations A, B, and C; check fit before tightening.

SUBURBAN, TAHOE, YUKON

1. Using mud guard as a template, mark and drill 1/8" holes at locations A, B, and C.
2. Attach mud guard to fender with #10 screws and washers (Figure 1) **DO NOT USE U-CLIPS.**



PAINTING INSTRUCTIONS

1. Clean mud guard with a soap and water solution to remove dirt and other contaminants.
2. Sand painting surface with 320 grit sand paper.
3. Apply a coating of flexible primer-adhesion promoter.
4. Apply a flexible paint as directed by the paint manufacturer.