

FRONT DOOR INSTALLATION



INSTALLATION INSTRUCTIONS

IN-CHANNEL SLIMLINE WINDOW VISOR



MADE IN USA

INSTALLATION INSTRUCTIONS

1. Clean and dry the vehicle. Lower the front windows completely.

2. Fit the front section of the **WINDOW VISOR** behind the mirror base. Ensure the bottom edge of the **WINDOW VISOR** locates on top of or over the lower window molding, as shown.

3. Fit rear section of **WINDOW VISOR** into channel about 1/2 inch away from the top of door frame, as shown.

IMPORTANT
When fitting the **WINDOW VISOR** it will be necessary to bend the center of the **WINDOW VISOR** away from the vehicle to enable fitment into the rear section of the door channel. **CARE MUST BE TAKEN AS THE PRODUCT COULD BREAK.**

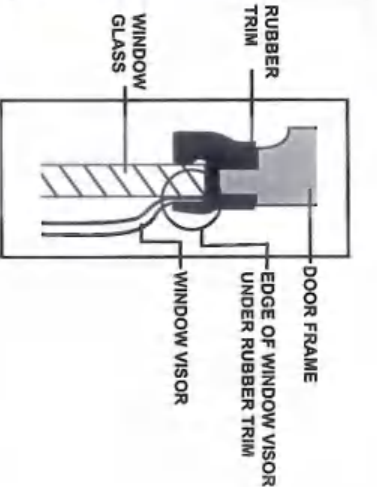
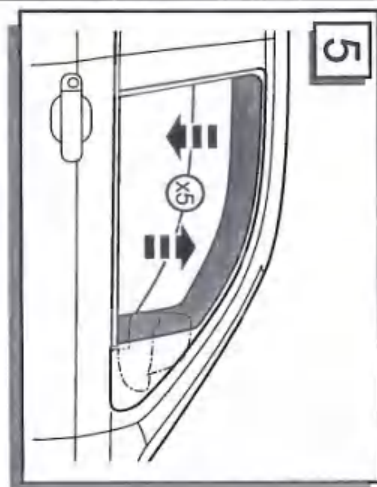
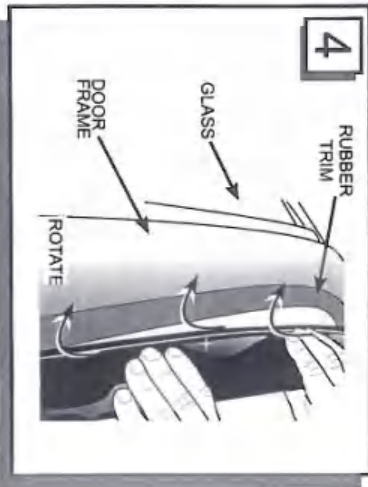
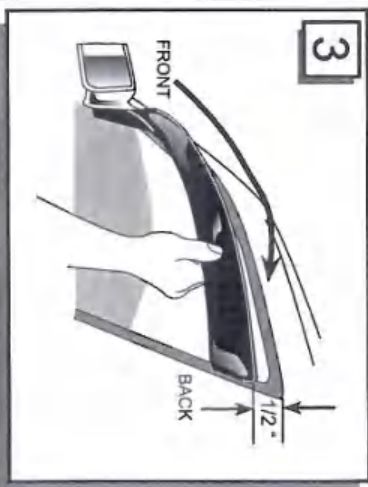
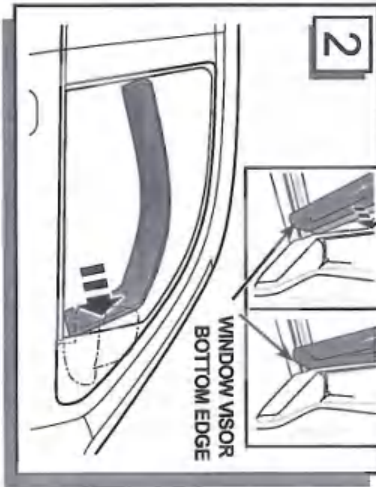
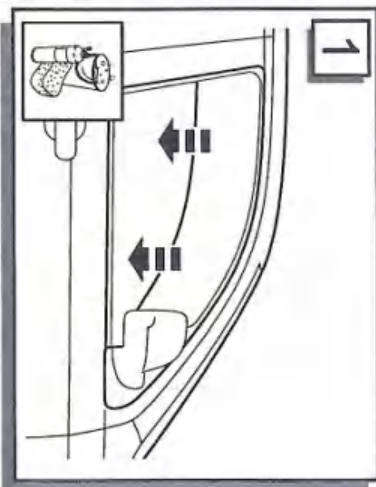
4. Start inserting the **WINDOW VISOR** by carefully rotating the **WINDOW VISOR** into the window channel.

IMPORTANT
Working from the front of the **WINDOW VISOR** to the back as shown. Once installed gently push the **WINDOW VISOR** upwards into the window channel.

5. Ensure the **WINDOW VISOR** is located in the outermost section of the rubber window channel and finally, raise and lower the window approx. 5 times to help seat the **WINDOW VISOR** into the rubber window channel.

IMPORTANT: Before fitting product, read instruction fully. Reverse the above procedure to remove this product.

TO CLEAN: Use mild detergent and water solution. (Do NOT use solvents). Avoid the use of automatic "Brush Style" car washes.



IMPORTANT
The rubber window trim may need to be massaged to allow the window and **WINDOW VISOR** to seat correctly in the window channel.



INSTALLATION INSTRUCTIONS

IN-CHANNEL SLIMLINE WINDOW VISOR™



MADE IN USA

INSTALLATION INSTRUCTIONS

- 1 • Clean and dry the vehicle. Lower the rear windows completely. Remove tape liner from the double-sided tape mounted on the Window Visor.
- 2 • Fit the front section of the Window Visor into the rubber window channel, as shown.
- 3 • Position the rear section of the Window Visor into the rubber window channel.
- 4 • Work the Window Visor into the rubber window channel by hand, ensuring it locates securely.
- 5 • Finally, raise and lower the window at least 5 times to help seat the Window visor into the rubber window channel.

IMPORTANT: Before fitting product, read instruction fully. Full tape strength is achieved after 72hrs. Allow tape to cure for 4hrs before driving vehicle. Reverse the above procedure to remove this product.

TO CLEAN: Use mild detergent and water solution. (Do NOT use solvents). Avoid the use of automatic "Brush Style" car washes.

