

**2021 Grand Cherokee****FRONT MUD GUARD INSTALLATION INSTRUCTIONS**

*Please read instructions thoroughly before installation.*

**Tools Required**

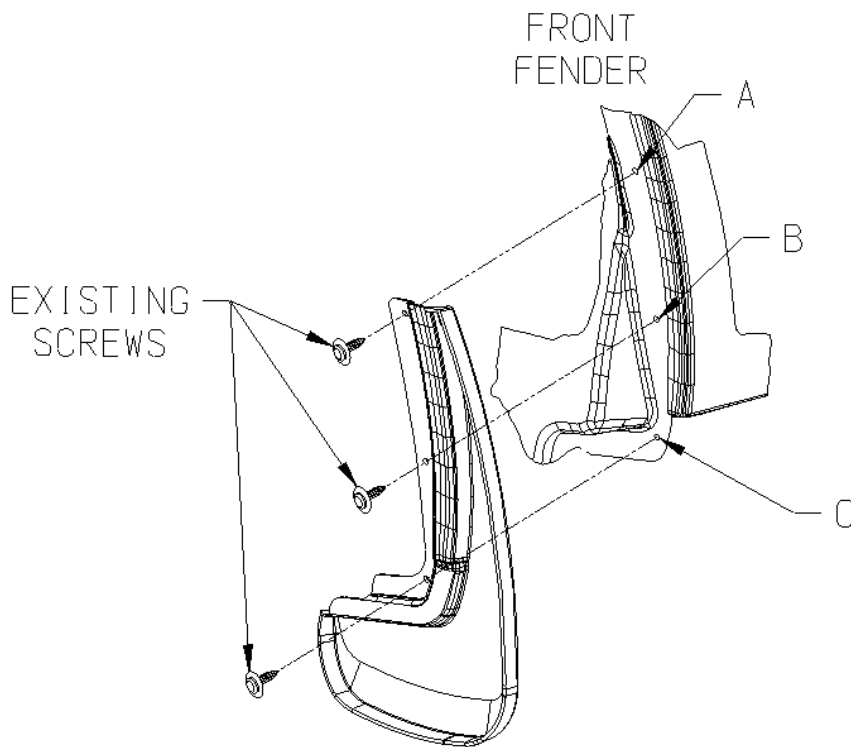
- 12 mm Wrench/Socket

**Package Contents**

- Front Mud Guard
- Instruction Sheet

**Determine which mudguard you have by locating the part number molded in the mounting flange (5809 DS and 5809 PS).**

1. Clean and degrease the mud guard location area on the fender before installation.
2. Remove existing fasteners from locations A, B, and C.
3. Attach mud guard to front fender with factory fastener at locations A, B and C. Check fit and make sure mud guard is parallel to ground before tightening.



2021 Grand Cherokee

**REAR MUD GUARD INSTALLATION INSTRUCTIONS**

*Please read instructions thoroughly before installation.*

**Tools Required**

- 12 mm Wrench/Socket

**Package Contents**

- Rear Mud Guard
- Instruction Sheet

**Determine which mudguard you have by locating the part number molded in the mounting flange (5909 DS and 5909 PS).**

1. Clean and degrease the mud guard location area on the fender before installation.
2. Remove existing fasteners from locations A, B, and C.
3. Attach mud guard to front fender with factory fastener at locations A, B and C. Check fit and make sure mud guard is parallel to ground before tightening.

