

INSTALLATION INSTRUCTIONS AND PARTS LIST
MODEL 583072, 583078, 583088, 584072, 584078, 584088 O-MEGA II 6" OVAL STEPS
 UNIVERSAL APPLICATION

1. READ INSTRUCTIONS COMPLETELY AND CHECK TO MAKE SURE THAT ALL REQUIRED PARTS (LISTED ON THE SERVICE PARTS LIST) ARE ON HAND BEFORE STARTING THE INSTALLATION.
2. FOLLOW THE INSTRUCTIONS INCLUDED WITH THE SPECIFIC BRACKET PACKAGE THAT YOU ARE USING, TO MOUNT THE BRACKETS TO YOUR VEHICLE.
3. BEFORE ATTACHING THE O-MEGA STEPS TO THE BRACKETS, PLACE THE STEP PADS (ITEM #2) ON TOP OF THE STEP PLATES. USE THE TABLE ON SHEET #2, AS A GUIDE TO POSITION THE STEP PAD FOR YOUR PARTICULAR VEHICLE. WHEN INSTALLING THE PADS ON THE STEPS, DRILL (5) 1/8" HOLE USING THE STEP PAD AS A GUIDE. ATTACH WITH (5) 8-18X1/2" TEK SCREWS (ITEM #6) PROVIDED. REPEAT FOR ALL STEP PADS.
4. INSTALL THE REQUIRED NUMBER OF SQUARE HEAD BOLTS INTO THE DESIGNATED SLOTS IN THE BOTTOM OF THE STEP PLATES.
5. INSTALL THE END CAPS (ITEM #3) AS SHOWN IN *fig. 1*, TIGHTENING THE NUTS TO 5 LB FT.
6. POSITION THE O-MEGA STEP ON THE MOUNTING BRACKETS SO THAT THE SQUARE HEAD SCREWS (ITEM #4) ARE LOCATED IN THE SLOTS OF THE MOUNTING BRACKETS AND THE STEP IS CENTERED, FRONT TO REAR, ON THE VEHICLE. INSTALL 5/16" SERRATED FLANGE NUTS (ITEM #5) ON THE SQUARE HEAD SCREWS (ITEM #4) AND TIGHTEN TO 19 LB FT.

SERVICE PARTS LIST

| ITEM | PART NO. | QTY | DESCRIPTION |
|------|----------|-----|------------------------------------|
| 1 | 553071 | 2 | EXTRUSION-AL,69.0,OMEGA STP,SILVER |
| 1 | 553072 | 2 | EXTRUSION-AL,75.0,OMEGA STP,SILVER |
| 1 | 553073 | 2 | EXTRUSION-AL,85.0,OMEGA STP,SILVER |
| 1 | 553059 | 2 | EXTRUSION-AL,69.0,OMEGA STP,BLACK |
| 1 | 553060 | 2 | EXTRUSION-AL,75.0,OMEGA STP,BLACK |
| 1 | 553061 | 2 | EXTRUSION-AL,85.0,OMEGA STP,BLACK |
| 2 | 552970 | 4 | ALUM,STP-PAD,BLK,OMEGA-STEP |
| 3 | 107956 | 4 | CAP-END,PLSTC,2.95 X 6.70 |
| 4 | 106880 | 24 | SCREW-SQ HD,5/16-18 X 1,MAGNIGUARD |
| 5 | 102680 | 24 | NUT-SERR FLG,HX,SST,WX,5/16-18 |
| 6 | 107958 | 20 | SCREW-PPH,TEK,#8-18 X 1/2",SST,BZP |



STEP PAD LOCATION GUIDE



| VEHICLE MODEL | PAD A | PAD B |
|-------------------------------|--------|---------|
| SILVERADO/SIERRA DOUBLE CAB | 14-3/4 | 46-3/4 |
| SILVERADO/SIERRA EXTENDED CAB | 14-3/4 | 41-3/4 |
| SILVERADO/SIERRA CREW CAB | 14-3/4 | 54-1/4 |
| COLORADO/CANYON EXTENDED CAB | 10-1/2 | 43 |
| COLORADO/CANYON CREW CAB | 10-1/2 | 51 |
| AVALANCHE/SUBURBAN/YUKON XL | 15-1/4 | 55-1/4 |
| TAHOE/YUKON | 15-1/4 | 48-1/4 |
| RAM QUAD CAB | 10-1/2 | 46 |
| RAM CREW CAB | 10-1/2 | 48 |
| RAM MEGA CAB | 10-1/2 | 52-1/16 |
| DODGE DAKOTA QUAD CAB | 10-1/2 | 39 |
| DODGE DURANGO | 15-1/4 | 50-1/4 |
| FORD F150 SUPER CAB | 18-1/4 | 46-1/4 |
| FORD F150 SUPER CREW CAB | 18-1/4 | 56-1/2 |
| FORD SUPER DUTY SUPER CAB | 14-1/4 | 42 |
| FORD SUPER DUTY CREW CAB | 12 | 58-1/4 |
| TOYOTA TUNDRA DOUBLE CAB 07+ | 8-1/4 | 49-1/4 |
| TOYOTA TUNDRA CREWMAX07+ | 8-1/4 | 54-1/4 |
| TOYOTA TACOMA ACCESS CAB | 8-1/4 | 30-1/5 |
| TOYOTA TACOMA DOUBLE CAB | 18-3/4 | 55-1/4 |

NOTE: THE ABOVE PAD LOCATIONS ARE ONLY SUGGESTIONS AND MAY BE PLACED AT THE PURCHASERS DISCRETION.



INSTALLATION INSTRUCTIONS AND PARTS LIST

MODEL 570752 MEGA STEPS BRACKETS: 2007 TOYOTA TUNDRA DOUBLE CAB & CREW MAXX PICKUPS



1. READ INSTRUCTIONS COMPLETELY AND CHECK TO MAKE SURE THAT ALL REQUIRED PARTS (LISTED ON SERVICE PARTS LIST) ARE ON HAND BEFORE STARTING THE INSTALLATION.

2. ATTACH THE MOUNTING BRACKETS TO THE VEHICLE USING EXISTING MOUNTING HOLES ON THE INTERIOR WALL OF THE ROCKER PANEL. (NOTE: THE BRACKETS MUST BE PLACE IN THE PROPER POSITION. THEY ARE IDENTIFIED WITH NOTCHES ON THE INBOARD EDGE. [1 NOTCH IS FOR #1 BRACKET, ETC.] #1 WILL BE AT THE FRONT OF THE VEHICLE. SEE FIG. 1).
 - 2.1. POSITION THE BRACKETS ON THE VEHICLE SO THAT BOTH HOLES LINE UP WITH THE THREADED INSERTS IN THE ROCKER PANEL ATTACH THE TOP OF THE BRACKET WITH A M8-1.25 X 25MM ZINC PLATED HEX HEAD CAP SCREW, 5/16" FLAT WASHER AND LOCK WASHER (ITEMS #6, #7 & #8). LEVEL THE BRACKETS AND TIGHTEN THE FASTENERS TO 19 LB FT.

3. ATTACH THE STEP (ITEM #1) TO THE MOUNTING BRACKETS.
 - 3.1. INSERT FOUR (4) 5/16" SQUARE HEAD SCREWS (ITEM #4) IN THE CENTER SLOT ON THE UNDER SIDE OF THE STEP.
 - 3.2. POSITION THE STEP ON THE MOUNTING BRACKETS SO THAT THE SQUARE HEAD SCREWS ARE LOCATED IN THE SLOTS OF THE MOUNTING BRACKETS AND THE STEP IS CENTERED, FRONT TO REAR, ON THE CAB.
 - 3.3. LOCATE THE STEP, IN AND OUT, AS DESIRED, INSTALL 5/16" SERRATED FLANGE NUTS (ITEM #5) ON THE SQUARE HEAD SCREWS AND TIGHTEN TO 19 LB FT.

SERVICE PARTS LIST

| ITEM | PART NO. | QTY | DESCRIPTION |
|------|----------|-----|---|
| 1 | | 2 | MEGA STEP BOARD ASSEMBLY (SOLD SEPARATELY) LENGTH WILL VARY DEPENDING ON APPLICATION |
| 2 | 551362 | 2 | BRKT- MTG, STEP, #1, TOYOTA TUNDRA |
| 3 | 551363 | 2 | BRKT- MTG, STEP, #2, TOYOTA TUNDRA |
| 4 | 551364 | 2 | BRKT- MTG, STEP, #3, TOYOTA TUNDRA |
| 5 | 551365 | 2 | BRKT- MTG, STEP, #4, TOYOTA TUNDRA |
| 6 | 102549 | 16 | SCREW-M8-1.25X25MM,ZP |
| 7 | 100030 | 16 | WHSR-LOCK, 5/16" ZP |
| 8 | 100034 | 16 | WHSR-FLAT, 5/16" ZP |
| 9 | 102680 | 16 | NUT-SERRATED FLANGE, HEX, SST, 5/16-18 UNC |
| 10 | 106880 | 8 | SCREW-SQUARE HEAD, 5/16-18 UNC |

SERVICE PARTS LIST

MODEL NO. - 570752

LUVERNE LOGO SHOULD BE
TOWARD REAR OF VEHICLE

1
RIGHT HAND
LEFT HAND

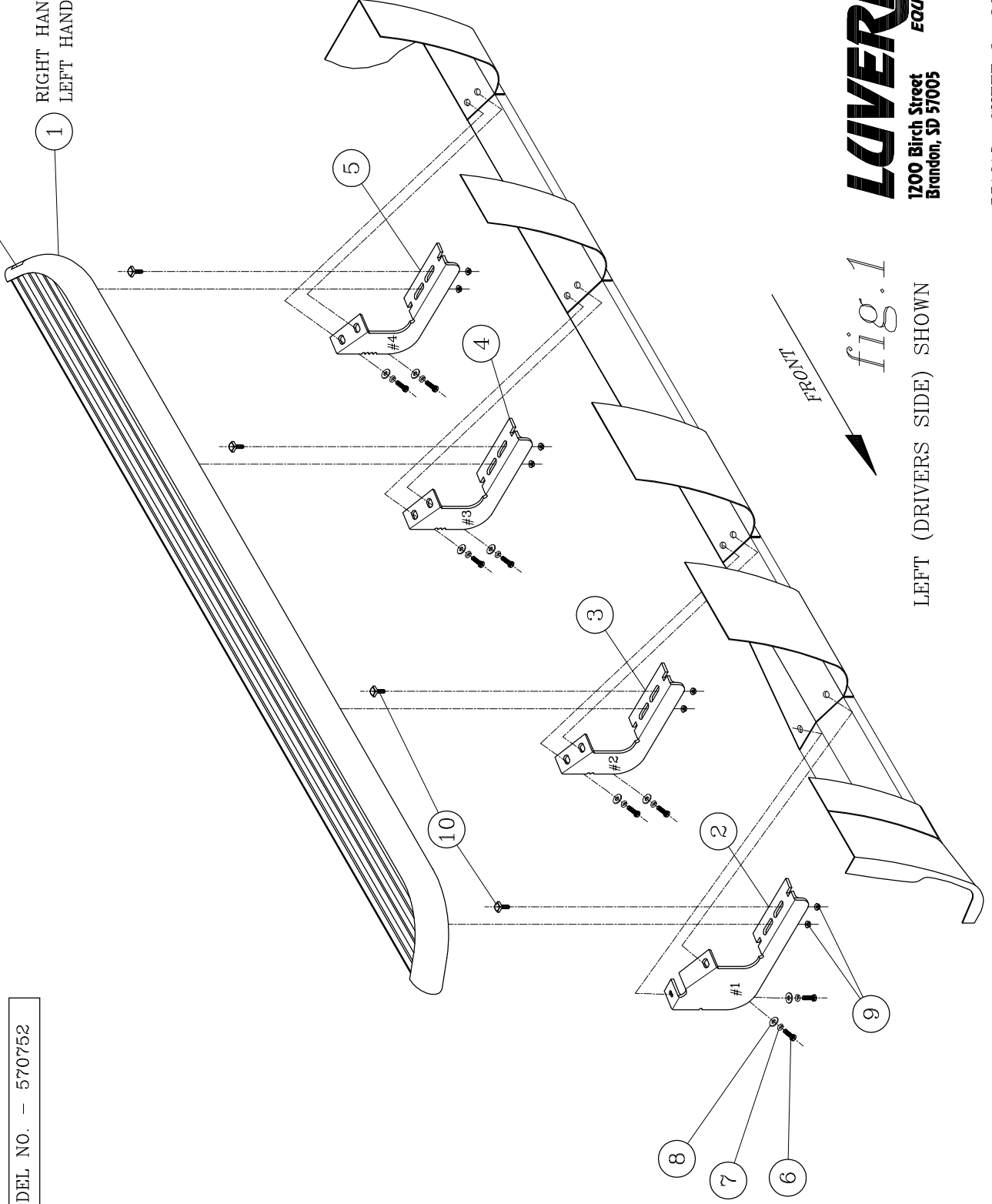


fig.1
FRONT

LEFT (DRIVERS SIDE) SHOWN

LUVERNE TRUCK
EQUIPMENT
INC.
1200 Birch Street
Brandon, SD 57005