

INSTALLATION INSTRUCTIONS AND PARTS LIST
MODEL 583072, 583078, 583088, 584072, 584078, 584088 O-MEGA II 6" OVAL STEPS
 UNIVERSAL APPLICATION

1. READ INSTRUCTIONS COMPLETELY AND CHECK TO MAKE SURE THAT ALL REQUIRED PARTS (LISTED ON THE SERVICE PARTS LIST) ARE ON HAND BEFORE STARTING THE INSTALLATION.
2. FOLLOW THE INSTRUCTIONS INCLUDED WITH THE SPECIFIC BRACKET PACKAGE THAT YOU ARE USING, TO MOUNT THE BRACKETS TO YOUR VEHICLE.
3. BEFORE ATTACHING THE O-MEGA STEPS TO THE BRACKETS, PLACE THE STEP PADS (ITEM #2) ON TOP OF THE STEP PLATES. USE THE TABLE ON SHEET #2, AS A GUIDE TO POSITION THE STEP PAD FOR YOUR PARTICULAR VEHICLE. WHEN INSTALLING THE PADS ON THE STEPS, DRILL (5) 1/8" HOLE USING THE STEP PAD AS A GUIDE. ATTACH WITH (5) 8-18X1/2" TEK SCREWS (ITEM #6) PROVIDED. REPEAT FOR ALL STEP PADS.
4. INSTALL THE REQUIRED NUMBER OF SQUARE HEAD BOLTS INTO THE DESIGNATED SLOTS IN THE BOTTOM OF THE STEP PLATES.
5. INSTALL THE END CAPS (ITEM #3) AS SHOWN IN *fig. 1*, TIGHTENING THE NUTS TO 5 LB FT.
6. POSITION THE O-MEGA STEP ON THE MOUNTING BRACKETS SO THAT THE SQUARE HEAD SCREWS (ITEM #4) ARE LOCATED IN THE SLOTS OF THE MOUNTING BRACKETS AND THE STEP IS CENTERED, FRONT TO REAR, ON THE VEHICLE. INSTALL 5/16" SERRATED FLANGE NUTS (ITEM #5) ON THE SQUARE HEAD SCREWS (ITEM #4) AND TIGHTEN TO 19 LB FT.

SERVICE PARTS LIST

ITEM	PART NO.	QTY	DESCRIPTION
1	553071	2	EXTRUSION-AL,69.0,OMEGA STP,SILVER
1	553072	2	EXTRUSION-AL,75.0,OMEGA STP,SILVER
1	553073	2	EXTRUSION-AL,85.0,OMEGA STP,SILVER
1	553059	2	EXTRUSION-AL,69.0,OMEGA STP,BLACK
1	553060	2	EXTRUSION-AL,75.0,OMEGA STP,BLACK
1	553061	2	EXTRUSION-AL,85.0,OMEGA STP,BLACK
2	552970	4	ALUM,STP-PAD,BLK,OMEGA-STEP
3	107956	4	CAP-END,PLSTC,2.95 X 6.70
4	106880	24	SCREW-SQ HD,5/16-18 X 1,MAGNIGUARD
5	102680	24	NUT-SERR FLG,HX,SST,WX,5/16-18
6	107958	20	SCREW-PPH,TEK,#8-18 X 1/2",SST,BZP



STEP PAD LOCATION GUIDE

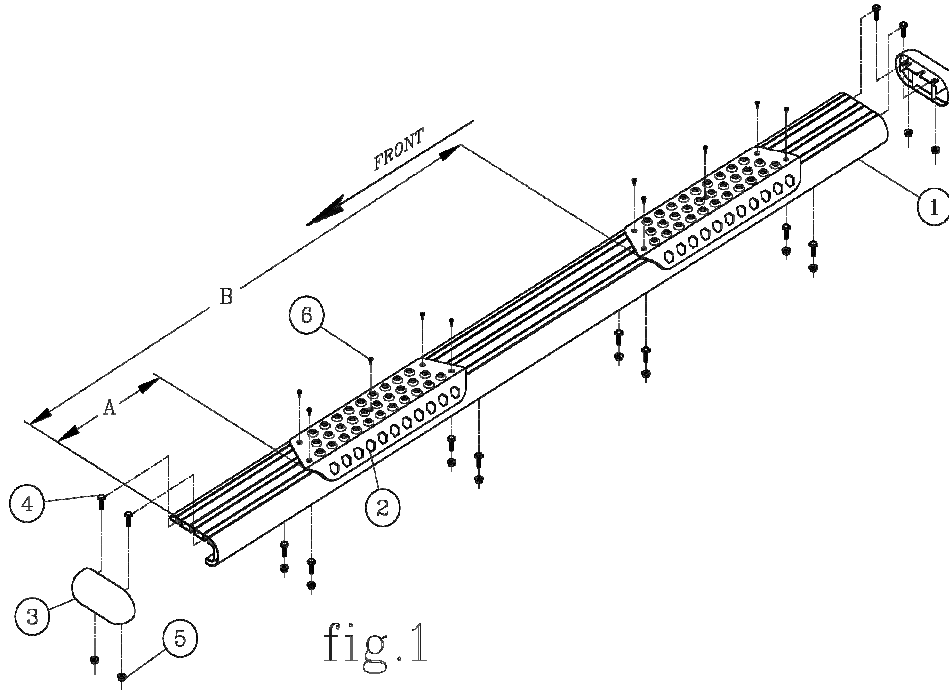


fig.1

VEHICLE MODEL	PAD A	PAD B
SILVERADO/SIERRA DOUBLE CAB	14-3/4	46-3/4
SILVERADO/SIERRA EXTENDED CAB	14-3/4	41-3/4
SILVERADO/SIERRA CREW CAB	14-3/4	54-1/4
COLORADO/CANYON EXTENDED CAB	10-1/2	43
COLORADO/CANYON CREW CAB	10-1/2	51
AVALANCHE/SUBURBAN/YUKON XL	15-1/4	55-1/4
TAHOE/YUKON	15-1/4	48-1/4
RAM QUAD CAB	10-1/2	46
RAM CREW CAB	10-1/2	48
RAM MEGA CAB	10-1/2	52-1/16
DODGE DAKOTA QUAD CAB	10-1/2	39
DODGE DURANGO	15-1/4	50-1/4
FORD F150 SUPER CAB	18-1/4	46-1/4
FORD F150 SUPER CREW CAB	18-1/4	56-1/2
FORD SUPER DUTY SUPER CAB	14-1/4	42
FORD SUPER DUTY CREW CAB	12	58-1/4
TOYOTA TUNDRA DOUBLE CAB 07+	8-1/4	49-1/4
TOYOTA TUNDRA CREWMAX07+	8-1/4	54-1/4
TOYOTA TACOMA ACCESS CAB	8-1/4	30-1/5
TOYOTA TACOMA DOUBLE CAB	18-3/4	55-1/4

NOTE: THE ABOVE PAD LOCATIONS ARE ONLY SUGGESTIONS AND MAY BE PLACED AT THE PURCHASERS DISCRETION.



INSTALLATION INSTRUCTIONS AND PARTS LIST

FOR MOUNTING 571134 MEGA STEP/OMEGA STEP BRACKETS ON:
2011 DODGE DURANGO/2011 JEEP GRAND CHEROKEE



PLEASE READ INSTRUCTIONS COMPLETELY BEFORE INSTALLING

1. LOCATE AND REMOVE THE SECOND, FOURTH, AND SIXTH OBOURD BODY PLUGS FROM UNDER AND BEHIND THE PLASTIC GROUND EFFECTS. FIG.1
2. INSTALL THE T-BOLT (ITEM #3) UP INTO OBOURD HOLE AS SHOWN IN FIG.2
3. PLACE THE BRACKET (ITEM #2) UP AND OVER T-BOLT THREADS AND PLACE THE NUT (ITEM #7) ON FINGER TIGHT. THEN PUT (2) CARRIAGE BOLTS (ITEM #5) IN THE OBOURD HOLES IN THE BRACKET AND PINCH WELD AREA AND THEN NUT (ITEM #6). TIGHTEN ALL FASTENERS.
4. REPEAT STEPS 2 & 3 FOR EACH BRACKET ON BOTH DRIVER AND PASSENGER SIDE.
5. ATTACH THE STEPS (ITEMS #1) TO THE MOUNTING BRACKETS.
 - 5.1 INSERT [3] 5/16" SQUARE HEAD SCREWS (ITEM #8) ON THE UNDERSIDE OF EACH STEP IN THE CENTER SLOT OF THE MEGA BOARDS. THE BOARD WILL ALREADY HAVE (5) 5/16" SQUARE HEAD SCREWS IN THE INSIDE SLOT, AND (2) OF THEM YOU WILL NOT USE. SLIDE THEM TO THE END OF BOARD AND PLACE A NUT (ITEM #4) ON THEM. ***(NOTE: O-MEGA STEP WILL NEED THREE SQUARE HEAD SCREWS IN BOTH CENTER SLOT AND INSIDE SLOT. REMOVE ONE END CAP TO INSERT SCREWS).***
 - 5.2 LOCATE THE STEP IN AND OUT AS DESIRED AND INSTALL THE 5/16" SERRATED FLANGE NUTS (ITEM #4) ON THE SQUARE HEAD SCREWS. TIGHTEN ALL THE NUTS.

SERVICE PARTS LIST

ITEM	PART NO.	QTY	DESCRIPTION
1	575072	2	MEGA STEP BOARDS .72" (JEEP GRAND CHEROKEE)
1	585072	2	OMEGA STEP BOARDS. 72" (JEEP GRAND CHEROKEE)
1	575078	2	MEGA STEP BOARDS 78"- (DURANGO)
1	585078	2	O-MEGA STEP BOARDS 78" SATIN - (DURANGO)
1	586078	2	O-MEGA STEP BOARDS 78" BLACK - (DURANGO)
2	551932	6	BRACKET-MTG, MEGA STEP, 571134
3	551935	6	T-BOLT WELDMENT, ZP
4	102680	16	NUT-SERR FLG, 5/16-18, SST
5	104260	12	BLT-CRG, #10-24 X .75, SST
6	104261	12	NUT-SERR FLG, #10-24, SST
7	103737	6	NUT-SERR FLG, 7/16-14, ZP
8	106880	6	SCR-SQ HD, 5/16-18 X 1.00, MAGNIGRD



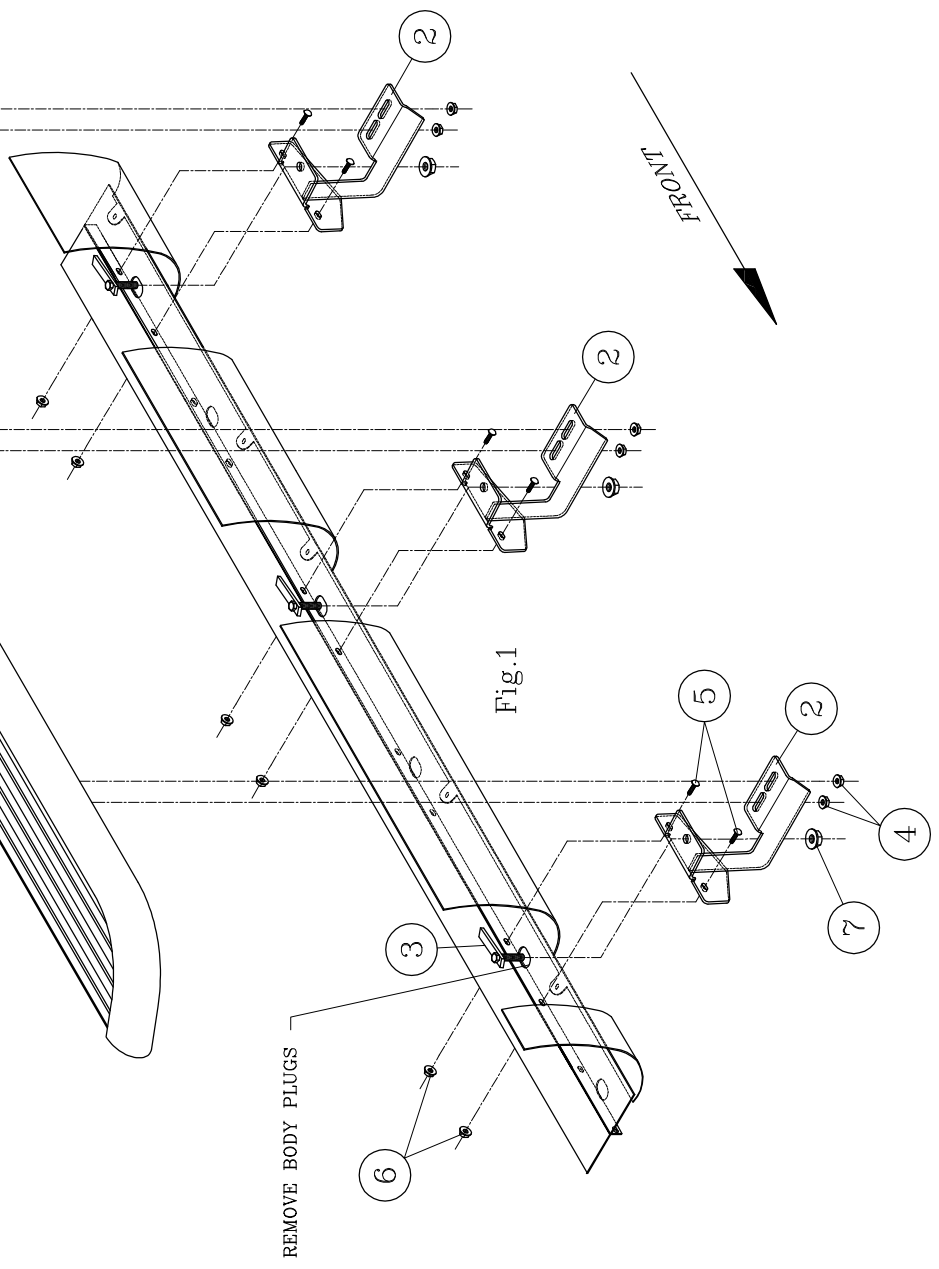
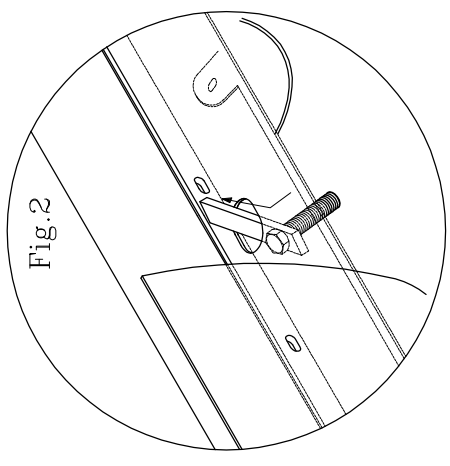
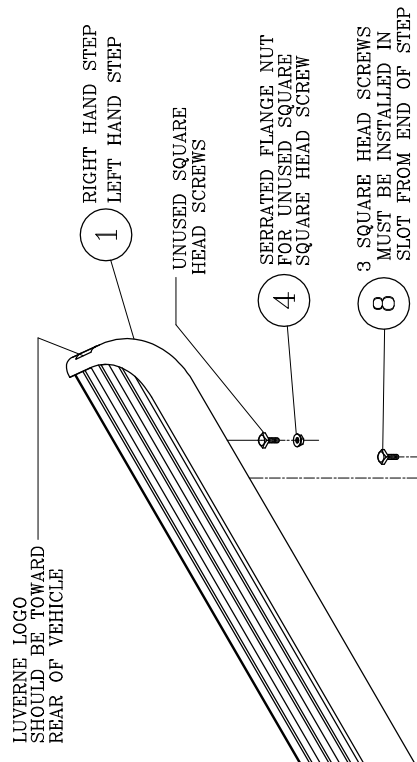
1200 E. Birch St.

Brandon, SD 57005

SERVICE PARTS LIST

MODEL NO. - 571134

LEFT HAND (DRIVERS SIDE) SHOWN
RIGHT HAND (PASSENGERS SIDE) OPPOSITE



REMOVE BODY PLUGS

LUVERNE LOGO SHOULD BE TOWARD REAR OF VEHICLE