

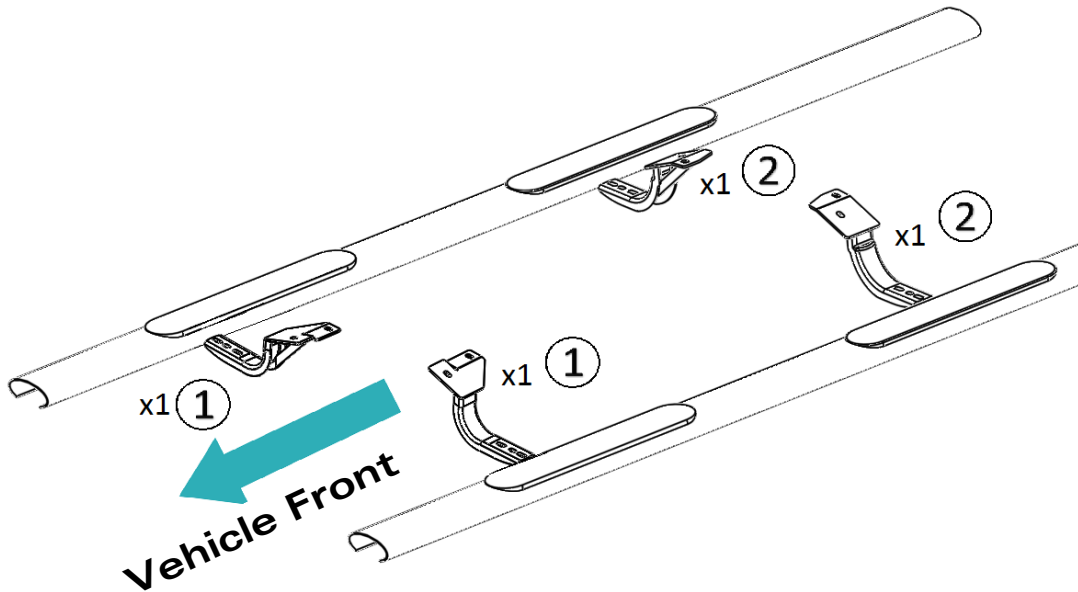
PARTS LIST				
Item	Qty.	Code	Description	MAX Torque
1	1	3912700AB	FRONT BRACKET	
2	1	3912700BB	REAR BRACKET SET	
3	6	-	3/8" BOLT PLATE	
4	2	-	5/16" BOLT PLATE	
	1	KTE-3912705 - A	HARDWARE KIT	
5	6	-	3/8" FLAT WASHER	
6	6	-	3/8" LOCK WASHER	
7	6	-	3/8" HEX NUT	
8	8	-	5/16" X 1" HEX SCREW	
9	12	-	5/16" FLAT WASHER	
10	10	-	5/16" LOCK WASHER	
11	2	-	5/16" X 3/4" HEX SCREW	

TOOL REQUIRED:

A. RATCHET

B. SOCKET: 9/16"

C. WRENCH: 9/16"



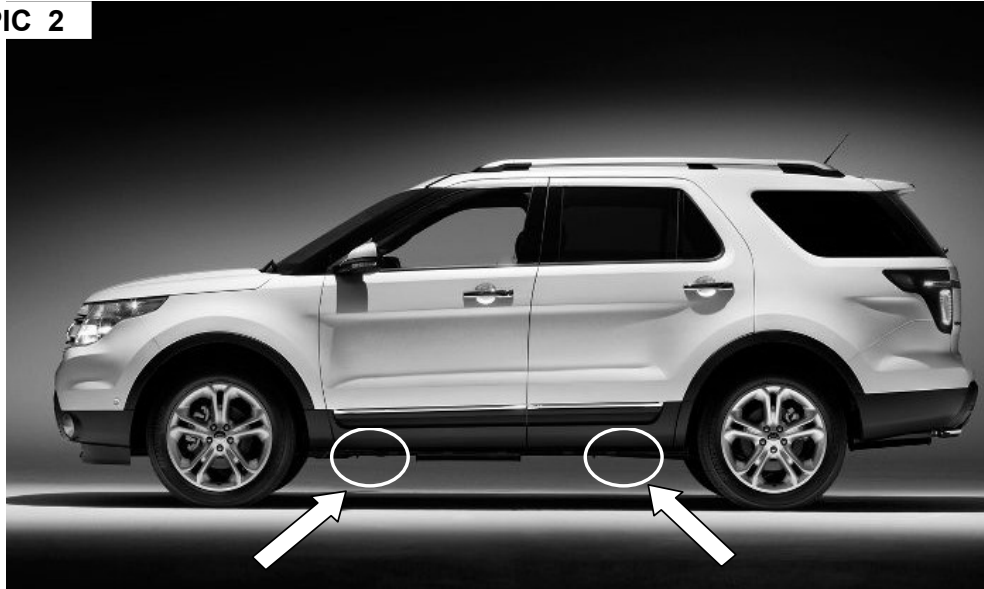
1. Before beginning the installation read all instructions Carefully and verify that all the hardware is accounted for. If there are any listed part missing please notify your distributor immediately.

2. To maintain and care this product keep it clean and do not use abrasive cleaners or polish waxes. We recommend to use only non-abrasive automotive wax such as pure carnauba to avoid scratches and rust.

3. The approximated installation time is 40 min.

4. Locate the holes in the rocket panel of the vehicle. **Pic. 2**

PIC 2



5. In the front drill, insert a 3/8" bolt plate into the car body so the plate is inside and the screw body is out. Slide the 5/16" bolt plate sideways until you can see the drill through the square hole. Attach the front bracket using 3/8" hex nut, flat and lock silver washer and also with the 5/16" hex bolt, the lock washer and two flat washers of the same side, **DO NOT TIGHT YET.** (pic 3, 4 & 5)

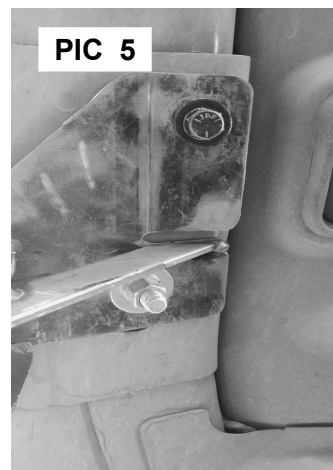


PIC 3

3/8 " BOLT PLATE



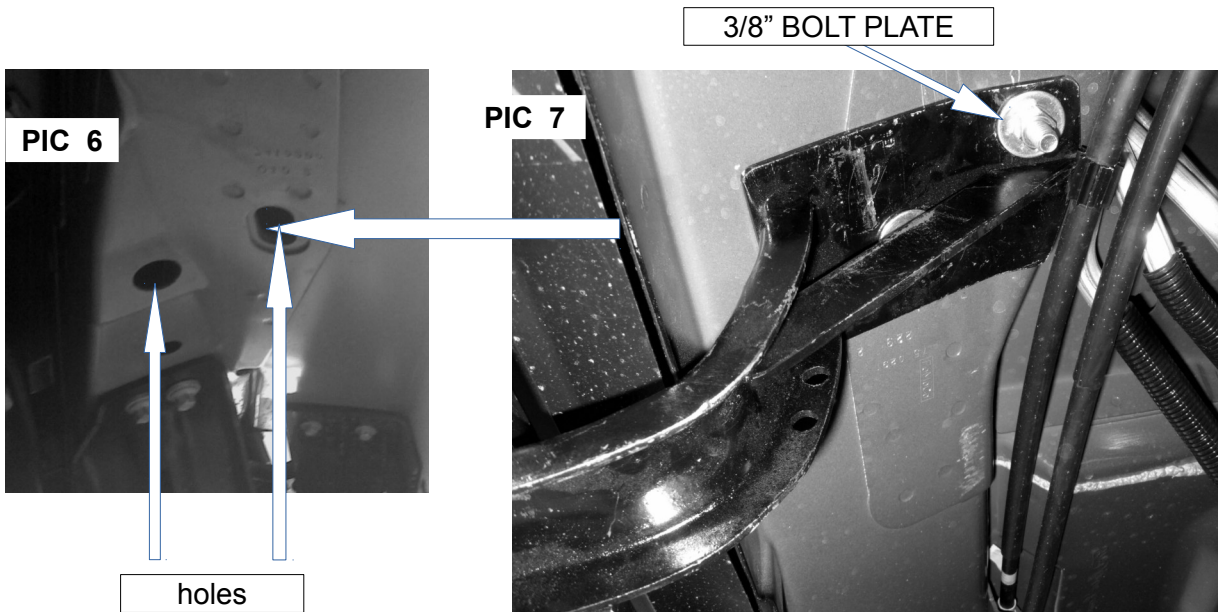
PIC 4



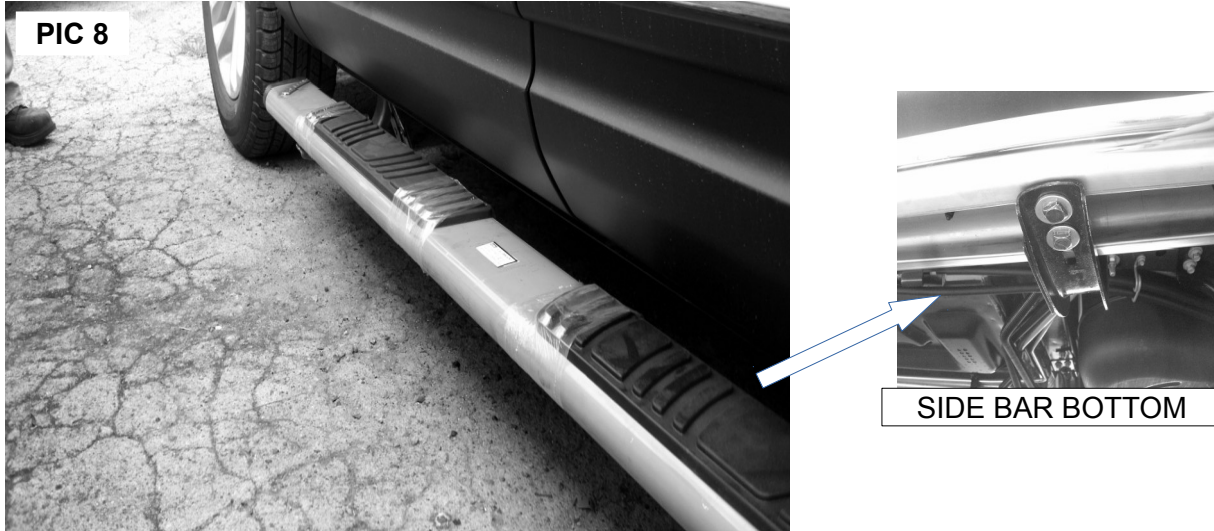
PIC 5

DRIVER SIDE FRONT BRACKET

6. Insert two 3/8" bolt plates into the holes shown in picture 6. Place the rear bracket as picture 7 shows, and attach to the bolt plates inserted, using 3/8" Flat and lock silver washers and 3/8" hex nut. **DO NOT TIGHT YET.** (pic. 6 & 7)



7. Place the side bar on the installed brackets and attach whit "U" bracket from the side bar hardware kit. Attach with 5/16" square head bolts, 5/16" flat and lock black washers. (PIC 8)



8. Align the side bar and tight all the hardware.