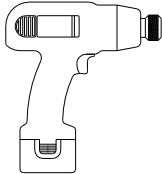


**2017-2021 FORD F250/F350
DIESEL PARTICULATE FILTER GUARD
FRONT
MOUNTING DIAGRAM
PART #P700391**

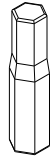
IMPORTANT:

Manufacturer is not responsible for negligent use of vehicle with Sensor Guard Installed, Including over-tightening of screws and bolts causing damage to vehicle or guard.

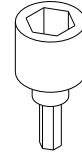
TOOLS REQUIRED (Power Tools):



Impact Driver

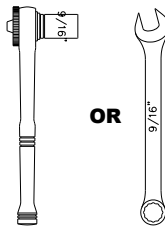


7/32" Allen Driver



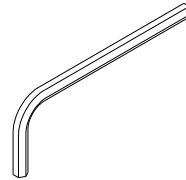
9/16" Socket Driver

OR (Manual Tools)



9/16" Open Wrench or Socket Wrench

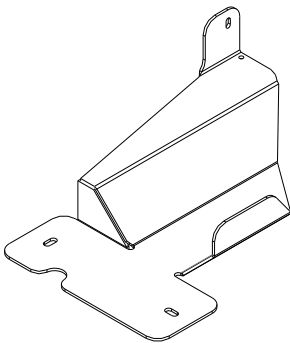
OR



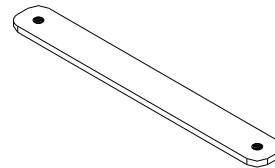
7/32" Allen Key

GUARDS AND BRACKETS

*(1) Front Guard
Part #702486*



*(1) Front Guard Mount Strip
Part #702483*



PARTS BAG #702487

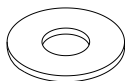
*a) (1) HWH Screw, Self-Threading
3/8"-16UNC x 1" Plated
Part #014075*



*b) (2) Capscrew, Button Head
3/8"-16UNC x 1.5", Hex Drive
Part #014077*



*c) (3) Washer, Flat
3/8" Plated
Part #018046*

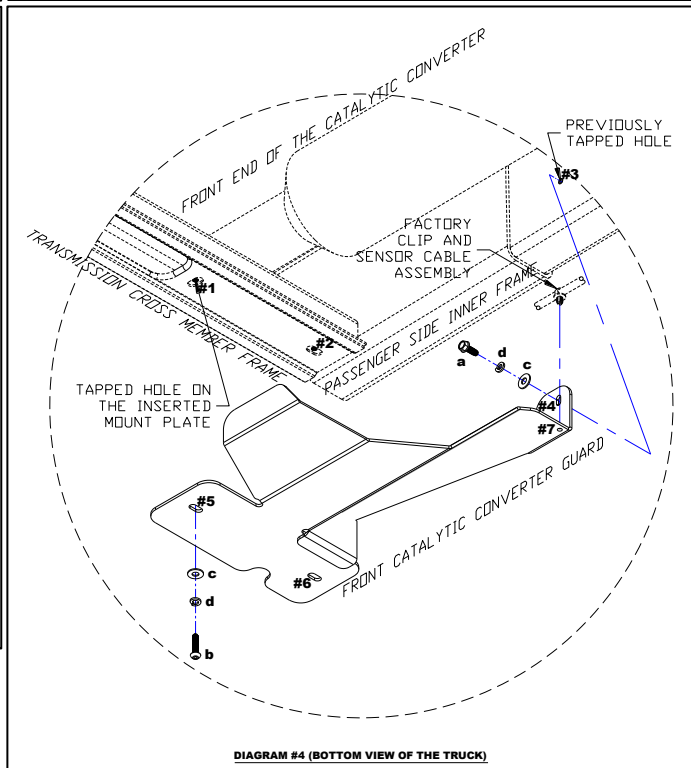
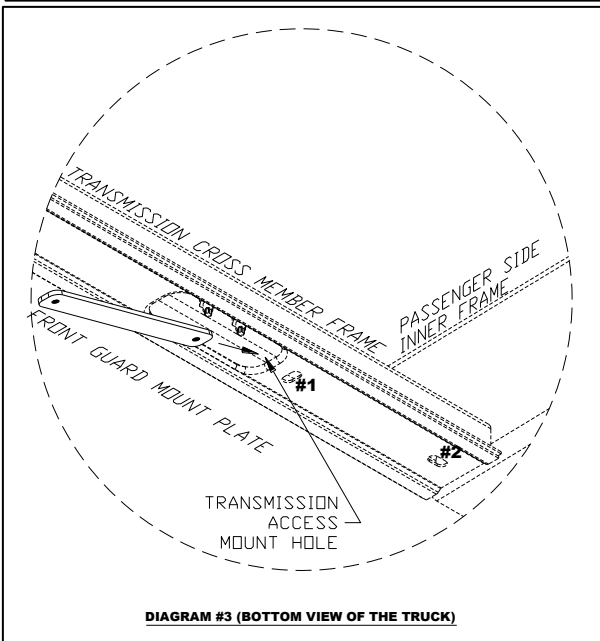
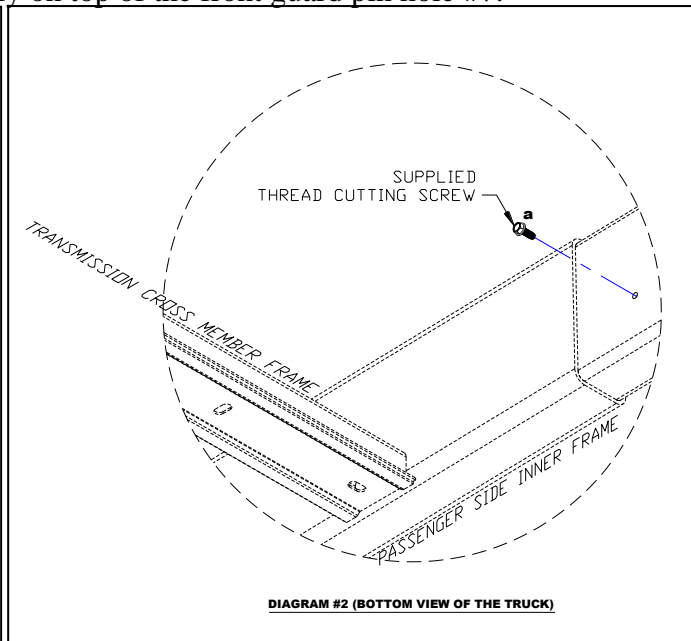
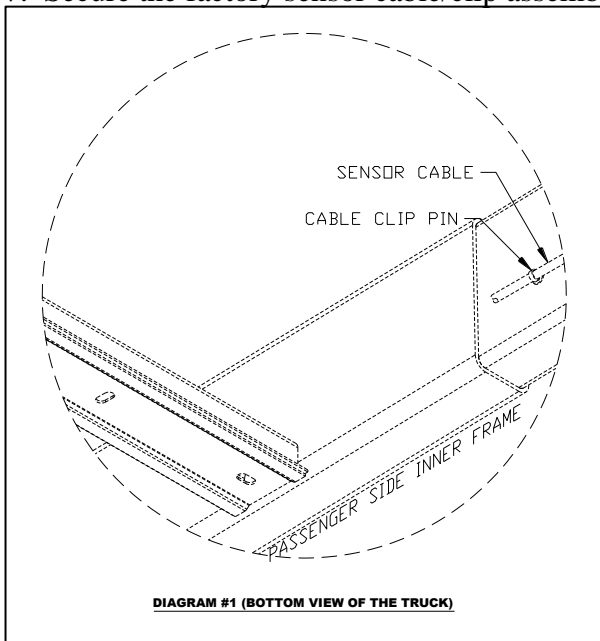


*d) (3) Washer, Lock
3/8" Plated, Helicoil
Part #024006*



INSTALLATION INSTRUCTIONS:

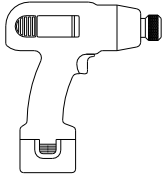
1. Read instructions in full prior to starting install.
2. Detach the cable clip from the inner frame on the passenger side (see Diagram #1) and use the supplied thread cutting screw to pre-tap the existing hole where the cable clip was removed (see Diagram #2)
3. Insert mount plate into transmission mount access hole (see Diagram #3). Once the mount plate passes through the access hole, start to level it off and continue to slide it in until the two mount holes align with factory holes #1 & #2 in the cross member.
4. Loosely secure the front guard mount hole #4 to the previously tapped hole #3 with a flat washer (c), lock washer (d), and self-threading screw (a).
5. Loosely secure the front end of the guard holes #5 & #6 to the mount plate holes #1 & #2 with two flat washers (c), two lock washers (d), and two button head screws (b).
6. Check the alignment on all three mount holes, then tighten all fasteners.
7. Secure the factory sensor cable/clip assembly on top of the front guard pin hole #7.



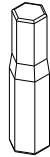
IMPORTANT:

Manufacturer is not responsible for negligent use of vehicle with Sensor Guard Installed, Including over-tightening of screws and bolts causing damage to vehicle or guard.

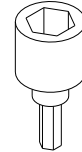
TOOLS REQUIRED (Power Tools):



Impact Driver

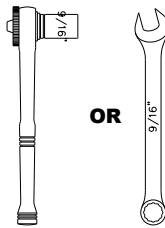


7/32" Allen Driver



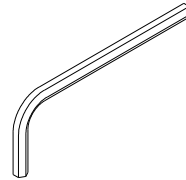
9/16" Socket Driver

OR (Manual Tools)



9/16" Open Wrench or Socket Wrench

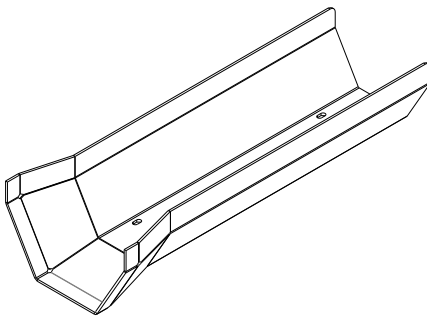
OR



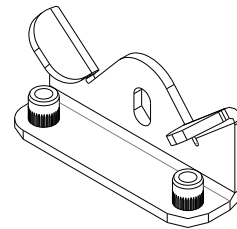
7/32" Allen Key

GUARDS AND BRACKETS

*(1) Rear Guard
Part #702490*

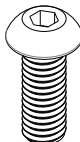


*(2) Rear Guard Mount Bracket
Part #702492*

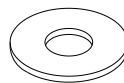


PARTS BAG #702493

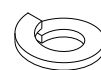
*a) (4) Capscrew, Button Head
3/8"-16UNC x 1", Hex Drive
Part #014076*



*b) (4) Washer, Flat
3/8" Plated
Part #018046*



*c) (4) Washer, Lock
3/8" Plated, Helicoil
Part #024006*



INSTALLATION INSTRUCTIONS:

1. Apply penetrating oil to the 2 factory serrated flange nuts on the exhaust pipe flange mount, and remove (see Diagram). Set aside to be reinstalled at a later step.
2. Loosely secure the guard mount brackets with the factory serrated flange nuts removed in step 1.
3. Push the guard mount bracket up against the factory flange mount, then tighten the factory serrated flange nut.
4. Repeat steps 1 to 3 for the second bracket.
5. Secure the rear catalytic converter guard to the brackets using 4 flat washers (b), 4 lock washers (c) and button head screws (a).

