



INSTRUCTIONS—INSTRUCCIONES—CONSIGNES

APPLICATION: 07-11 GMC ACADIA
APP. PART # 23-3380, 23-3385
3" ROUND STEP BARS

AUTOMOTIVE PRODUCTS, INC.

ITEM	QUANTITY	DESCRIPTION	TOOLS NEEDED
1	2	STEP BARS	18MM SOCKET
2,3	2	FRONT MOUNTING BRACKET (2) DRIVERS SIDE, (3) PASSENGER SIDE	13MM SOCKET
4,5	2	REAR MOUNTING BRACKET (4) DRIVERS SIDE, (5) PASSENGER SIDE	16MM SOCKET
6	2	M8 "Z" BRACKETS	TORQUE WRENCH
7	12	M8 HEX HEAD BOLTS	RATCHET
8	12	M8 LOCK WASHERS	
9	10	M8 FLAT WASHERS	
10	6	M12 SQUARE WASHERS	
11	6	M12 LOCK WASHERS	
12	6	M12 HEX NUTS	
13	6	M12 BOLT PLATES	
14	6	M12 FLAT WASHERS	
15	4	M10 BUTTON HEAD BOLT PLATES	
16	4	M10 LOCK WASHERS	
17	4	M10 HEX NUTS	
18	4	M10 FLAT WASHERS	

- Remove all contents from box, verify all parts listed are present and free from danger. Carefully read and understand all instructions before attempting installation.
- Start installation on the passenger side and locate the factory holes in the bottom and side of the floor panel towards the front of the vehicle. **On 2007-09 Vehicles:** There is an oval hole and a round hole on the bottom of the floor panel and a round hole on the side of the floor panel. Insert (1) M12 Bolt Plate into the oval hole and turn the Bolt Plate 90-degrees so that the plate is across opening, (Figures 1 & 3B). **On 2010-11 Vehicles:** There are two round holes on the bottom of the floor panel, (one centered, one offset toward the pinch weld), and one round hole on the side of the floor panel. Insert (1) M10 Button Head Bolt Plate into the round hole in the center of the floor panel (Figures 2 & 4B). Make sure that the plate is supported across the hole in the floor panel.
- Next, select (1) M8 "Z" Bracket, (Figure 1B). Insert the end with the hex nut welded onto the outside of the Bracket into the round hole in the bottom of the floor panel. Maneuver the "Z" Bracket through the inside of the floor panel and line it up to the hole in the side of the floor panel, (Figures 1A, 2 & 6).
- Position the passenger side front Mounting Bracket up to the vehicle and over the previously installed Bolt Plate and "Z" Bracket. NOTE: The hole pattern on the Mounting Bracket will match up with the hole pattern on the floor panel. Bolt the Mounting Bracket to the Bolt Plate using the included hardware. **On 07-09 Vehicles:** Use (1) M12 Square Washer, (1) M12 Lock Washer and (1) M12 Hex Nut to secure the Bracket to the Bolt Plate, (Figure 3A). Do not tighten hardware at this time. **On 2010-11 Vehicles:** Use (1) M12 Square Washer, (1) M10 Flat Washer, (1) M10 Lock Washer and (1) M10 Hex Nut to secure the Bracket to the 10mm Bolt Plate, (Figure 4A). Do not tighten hardware at this time.
- Insert (1) M8 Hex Bolt, (1) M8 Lock Washer, and (1) M8 Flat Washer through the Mounting Bracket, the side of the floor panel and into the nut on the "Z" Bracket, (Figures 3 & 4). Attach the remaining end of the "Z" Bracket to the tab on the bottom of the Mounting Bracket using the included (1) M8 Hex Bolt and (1) M8 Lock Washer, (Figures 4 - 6). Snug but do not fully tighten hardware at this time.
- Move toward the rear of the vehicle and locate the round or oval hole centered in the bottom of the floor panel as described in Step 2, (Figures 7 & 8). **07-09 vehicles** are equipped with an oval hole in the center of the floor panel as described in Step 2. Insert (1) M12 Bolt Plate into the oval hole in the center of the floor panel and turn 90-degrees across the oval hole, (Figure 7). **2010-11 vehicles** are equipped with a round hole in the center of the floor panel as described in Step 2. Insert (1) M10 Bolt Plate into the round hole in the center of the floor panel, (Figure 8).
- Next, locate the large hole slightly in toward the center of the vehicle from the previously installed Bolt Plate. NOTE: Use the passenger side Rear Bracket to determine the correct mounting hole to use. Insert (1) M12 Bolt Plate into the factory hole, (Figures 7 & 8). NOTE: Do not center the Bolt Plate in the hole, the shorter end of the Bolt Plate should be pushed to one side of the factory hole in order to fully engage.
- Hold the passenger side Rear Mounting Bracket up to the vehicle and over the previously inserted Bolt Plates. Secure Mounting Bracket to the Bolt Plates using the included hardware. **On 07-09 Vehicles:** Use (1) M12 Square Washer, (1) M12 Lock Washer and (1) M12 Hex Nut to secure the Bracket to the Bolt Plate in the oval hole, (Figure 9). Use (1) M12 Flat Washer, (1) M12 Lock Washer and (1) M12 Hex Nut to secure the Bracket to the Bolt Plate in the round hole. Do not tighten hardware at this time. **On 2010-11 Vehicles:** Use (1) M12 Square Washer, (1) M10 Flat Washer, (1) M10 Lock Washer and (1) M10 Hex Nut to secure the Bracket to the M10 Bolt Plate in center of the floor panel, (Figure 10). Use (1) M12 Flat Washer, (1) M12 Lock Washer and (1) M12 Hex Nut to secure the Bracket to the Bolt Plate in the round hole. Do not tighten hardware at this time.
- Position the passenger Sidebar onto the Mounting Brackets. Attach using (4) M8 Hex Head Bolts, (4) M8 Lock Washers, and (4) M8 Flat Washers.
- Align and adjust as needed then tighten all hardware at this time torque M12 fasteners to 50-55 ft lbs, M10 35-40 ft lbs, and M8 25-30 ft lbs
- Repeat steps 2-10 for passenger side

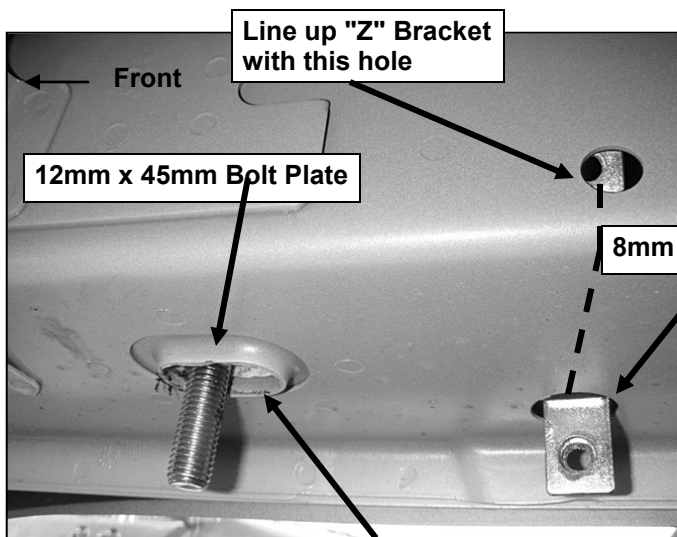
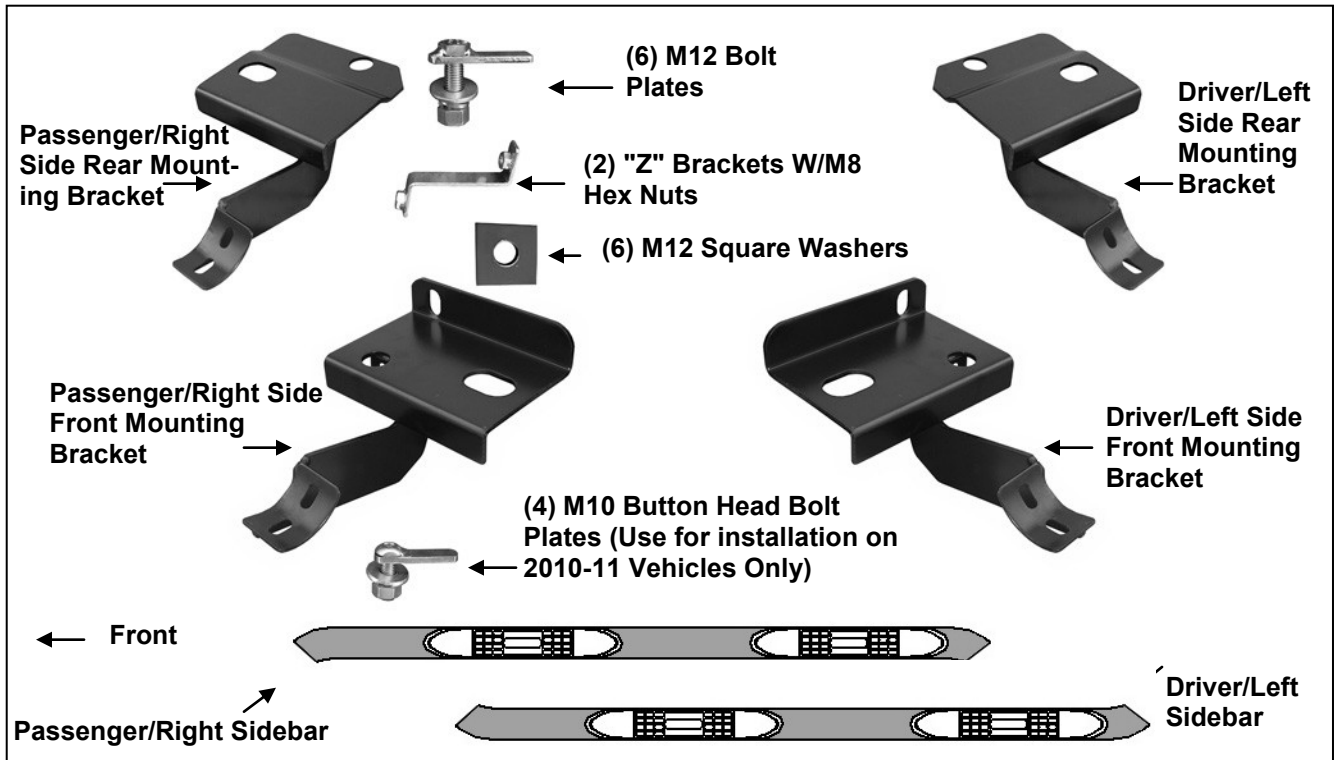


Westing Automotive Products, Inc.
5200 N. Irwindale Ave. Suite 220
Irwindale, Ca. 91706

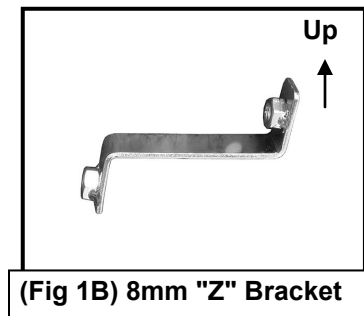
Thank You for choosing Westin products
For Additional installation assistance please call
Customer service (800) 793-7846
www.westinautomotive.com

CARE INSTRUCTIONS

- REGULAR WAXING IS RECOMMENDED. DO NOT USE ANY TYPE OF POLISH OR WAX THAT MAY CONTAIN ABRASIVES
- STAINLESS STEEL PRODUCTS CAN BE CLEANED WITH MILD SOAP AND WATER. STAINLESS STEEL POLISH SHOULD BE USED TO POLISH SMALL SCRATCHES.
- GLOSS BLACK FINISHES SHOULD BE CLEANED WITH MILD SOAP AND WATER



(Fig 1A) 07-09 Model Pictured-Note Oval Hole

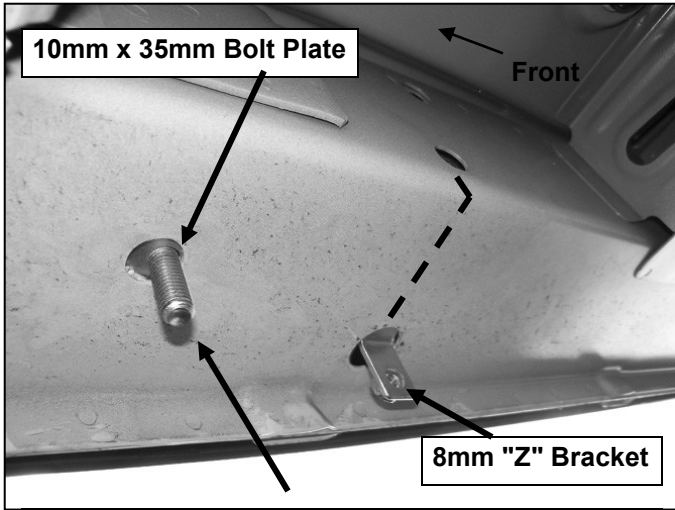


(Fig 1B) 8mm 'Z' Bracket



Westing Automotive Products, Inc.
5200 N. Irwindale Ave. Suite 220
Irwindale, Ca. 91706

Thank You for choosing Westin products
For Additional installation assistance please call
Customer service (800) 793-7846
www.westinautomotive.com



(Fig 2) 2010-11 Model Pictured-Note Round Hole

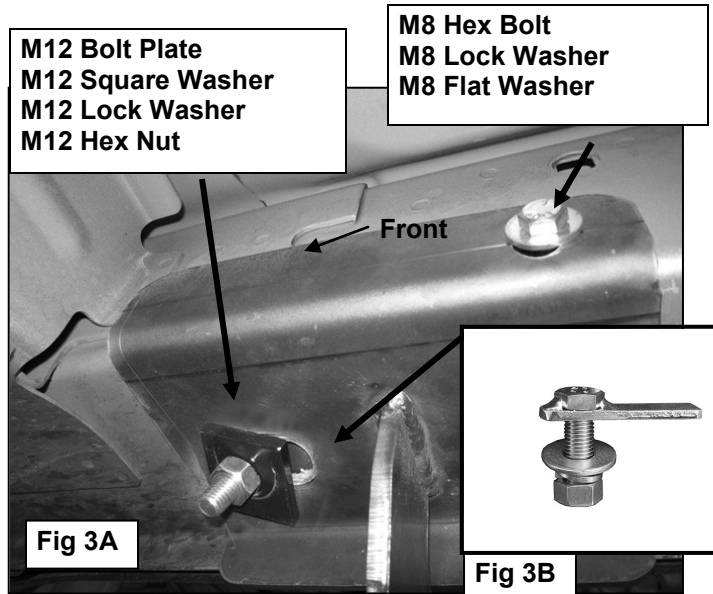


Fig 3A

Fig 3B

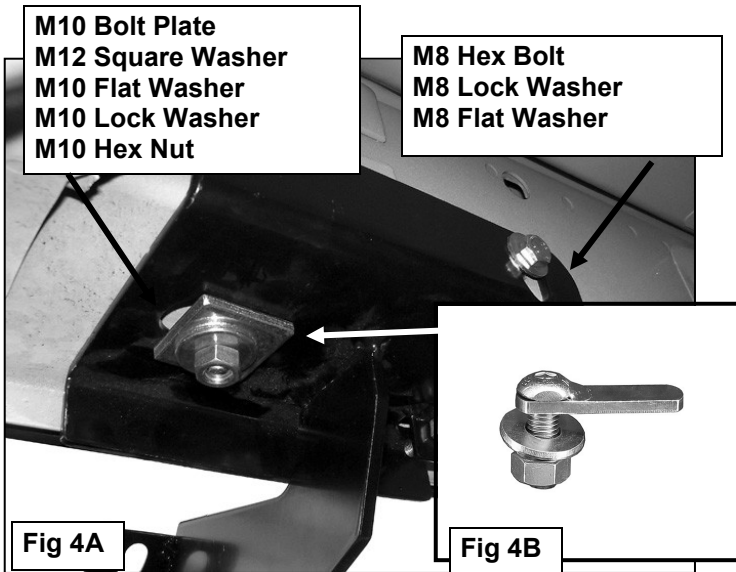


Fig 4A

Fig 4B

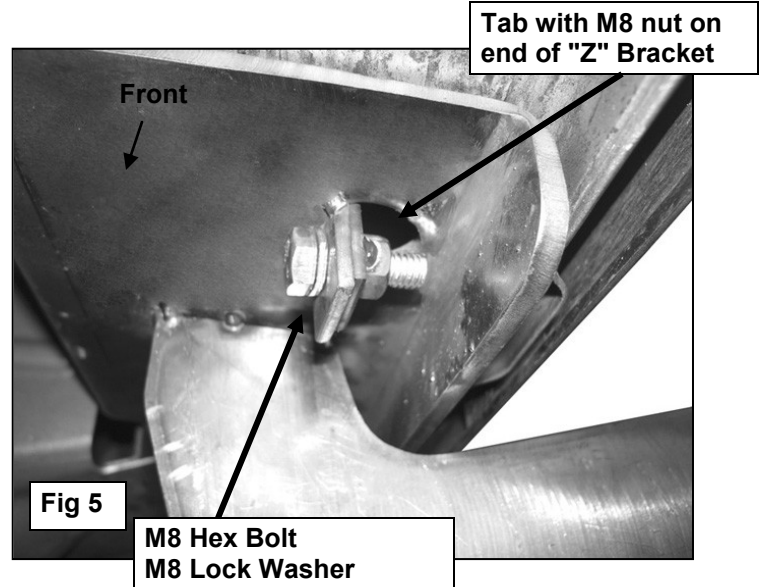
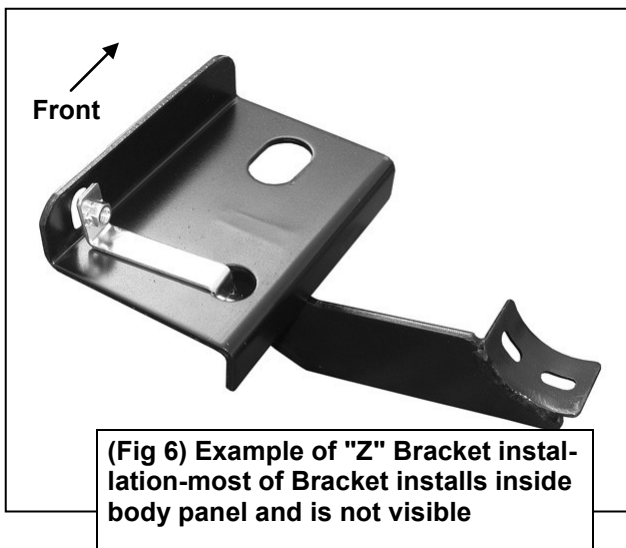


Fig 5

M8 Hex Bolt
M8 Lock Washer



(Fig 6) Example of "Z" Bracket installation-most of Bracket installs inside body panel and is not visible

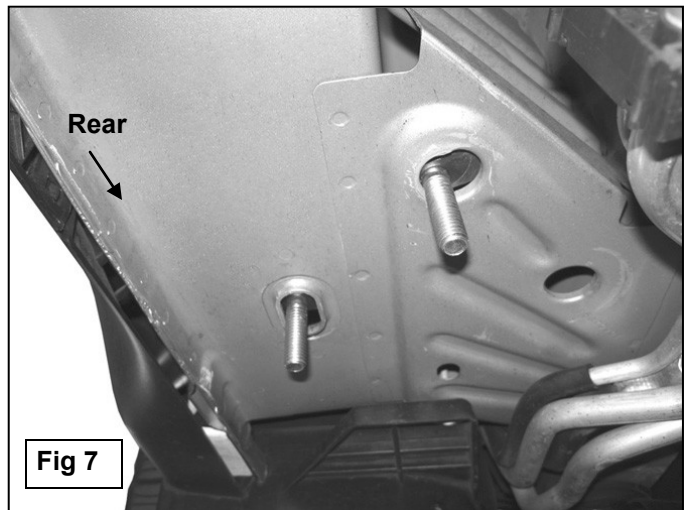


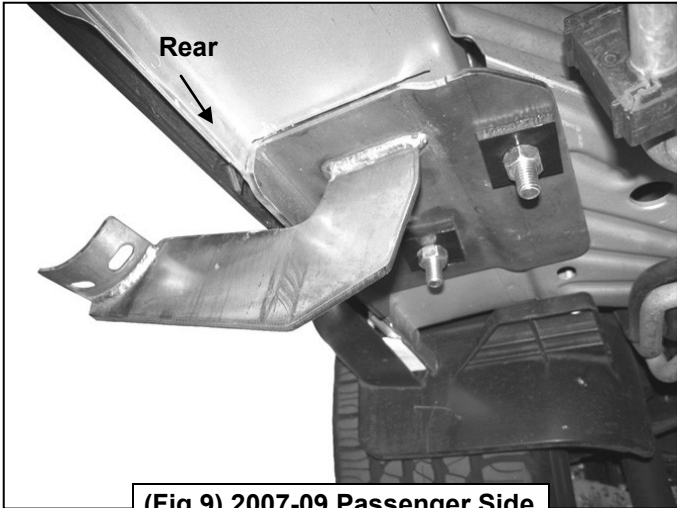
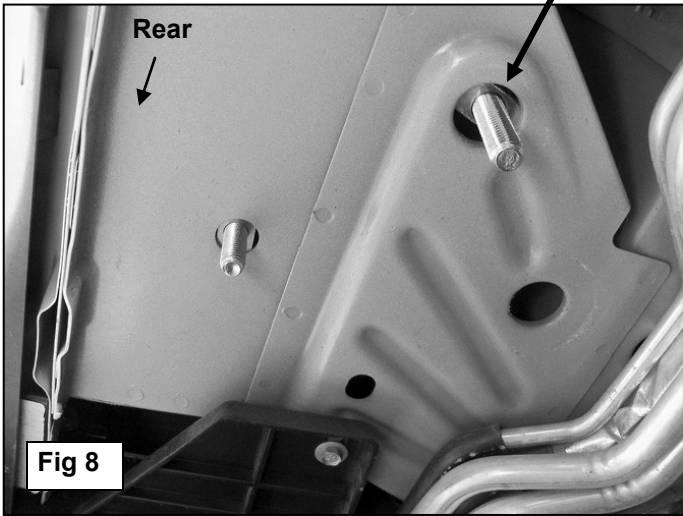
Fig 7



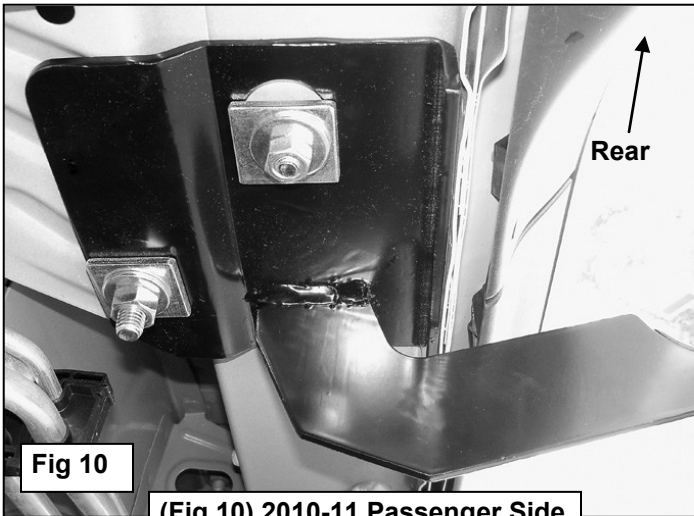
Westing Automotive Products, Inc.
5200 N. Irwindale Ave. Suite 220
Irwindale, Ca. 91706

Thank You for choosing Westin products
For Additional installation assistance please call
Customer service (800) 793-7846
www.westingautomotive.com

M12 Bolt Plate



(Fig 9) 2007-09 Passenger Side Rear Installation Pictured



(Fig 10) 2010-11 Passenger Side Rear Installation Pictured

M8 Hex Bolt
M8 Lock Washer
M8 Flat Washer

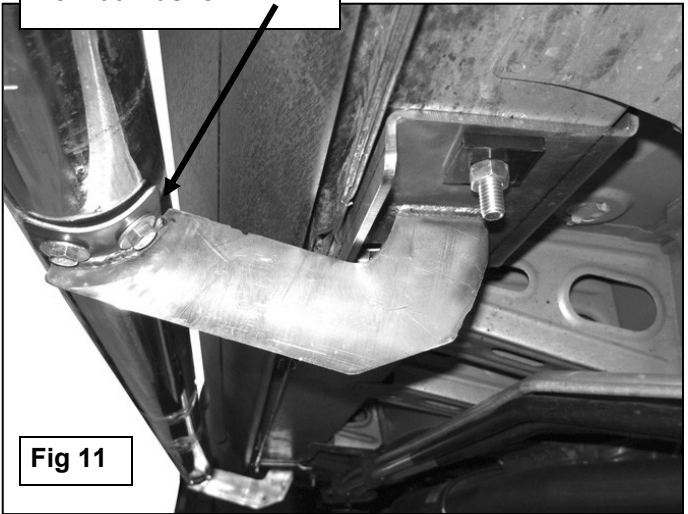


Fig 11



Installation Complete



Westing Automotive Products, Inc.
5200 N. Irwindale Ave. Suite 220
Irwindale, Ca. 91706

Thank You for choosing Westin products
For Additional installation assistance please call
Customer service (800) 793-7846
www.westinautomotive.com