

# INSTRUCTIONS—INSTRUCCIONES—CONSIGNES



APPLICATION: 05-12 TOYOTA TACOMA, 07-12 TOYOTA TUNDRA, 03-07 CHEVY SILVERADO HD, 07-12 CHEVY SILVERADO 1500, 03-07 CHEVY SILVERADO/GMC SIERRA 1500, 2010-2012 DODGE RAM 2500/3500 HD, DODGE RAM 09-13 1500 2011-12 FORD SUPERDUTY F250/350/450, 2009-12 FORD F150

APP PART # 46-41600, 46-41605, 46-42230, 46-42235, 46-41240, 46-41245, 46-42270, 46-42275, 46-41170, 46-41175, 46-43550, 46-43555, 46-43730, 46-43735, 46-43740, 46-43745, 46-43750/46-43755  
MAX BULL BAR/ LIGHT BAR

ITEM	QUANTITY	DESCRIPTION	TOOLS NEEDED
1	1	MAX BULL BAR/LIGHT BAR	16MM SOCKET
2	4	M10 BUTTON HEAD BOLTS (stainless)	RATCHET
3	4	M10 SPLIT LOCK WASHERS (stainless)	TORQUE WRENCH
4	8	M10 FLAT WASHERS (stainless)	HEX KEY (INCLUDED)
5	4	M10 HEX NUTS (stainless)	
6	3	WIRE GROMMETS	

1. Remove all contents from box, verify if all parts listed are present and free from damage. Carefully read and understand all instructions before attempting installation. NOTE: anti seize lubricant must be used on all stainless steel fasteners to prevent from galling.
2. Starting at the front of the vehicle, locate the two bull bar/ light bar mounting holes on either side of the winch tray ( Fig 1).
3. With assistance align the bull bar/ light bar up to the mounting holes and attach the bull bar to the winch tray using (4) M10 button head bolts, (8) M10 flat washers, (4) M10 lock washers, and (4) M10 hex nuts. NOTE: The hex key included in the kit must be used to tighten the M10 Button head bolts. The bull bar/ light bar may be adjusted to desired rake (Fig 2)
4. Once the bull bar is installed up to 3 accessory lights may be installed, the wires may be ran through the bull bar/light bar and out the bottom. Use the (3) wire grommets to seal the space around the wires.
5. Torque all M10 hardware to 40-45 ft lbs

## CARE INSTRUCTIONS

- REGULAR WAXING IS RECOMMENDED. DO NOT USE ANY TYPE OF POLISH OR WAX THAT MAY CONTAIN ABRASIVES
- STAINLESS STEEL PRODUCTS CAN BE CLEANED WITH MILD SOAP AND WATER. STAINLESS STEEL POLISH SHOULD BE USED TO POLISH SMALL SCRATCHES.
- GLOSS BLACK FINISHES SHOULD BE CLEANED WITH MILD SOAP AND WATER

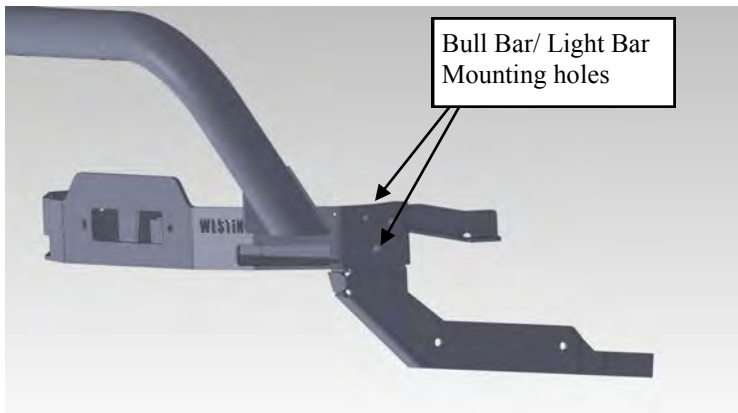


Fig 1

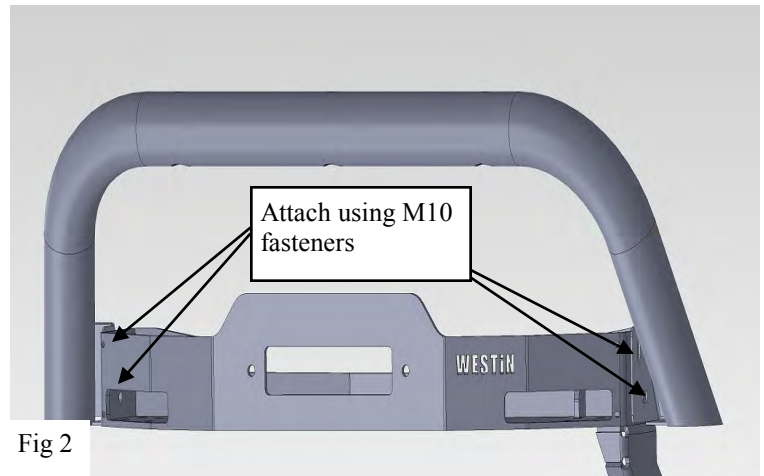


Fig 2



Westing Automotive Products, Inc.  
5200 N. Irwindale Ave. Suite 220  
Irwindale, Ca. 91706

11/21/2012 P.N.: 75-0064-RevC W12-0065

PG-1

Thank You for choosing Westin products  
For Additional installation assistance please call  
Customer service (800) 793-7846  
[www.westinautomotive.com](http://www.westinautomotive.com)



Westing Automotive Products, Inc.  
5200 N. Irwindale Ave. Suite 220  
Irwindale, Ca. 91706

11/21/2012 P.N.: 75-0064-RevC W12-0065

PG-2

Thank You for choosing Westin products  
For Additional installation assistance please call  
Customer service (800) 793-7846  
[www.westinautomotive.com](http://www.westinautomotive.com)