



INSTRUCTIONS—INSTRUCCIONES—CONSIGNES

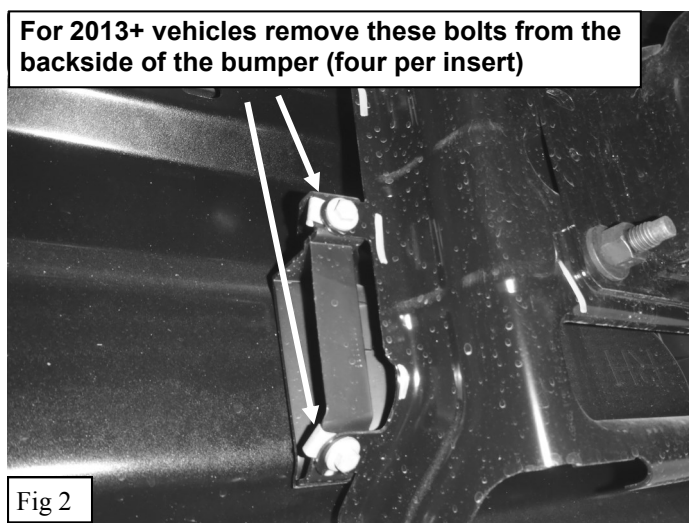
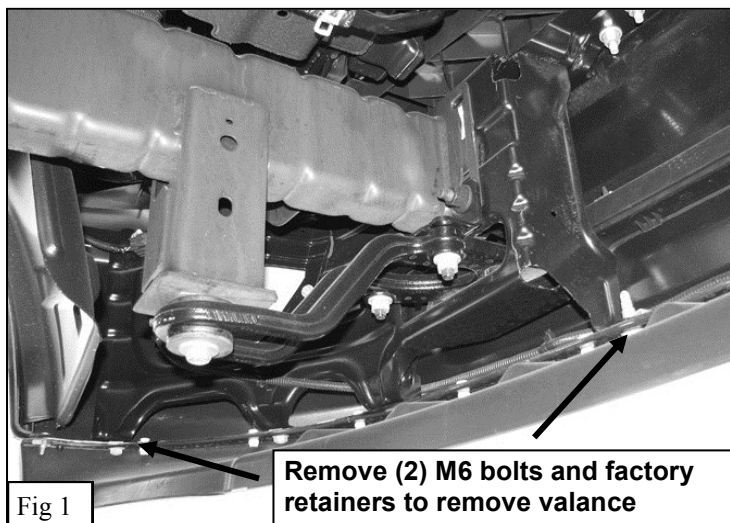
APPLICATION: 2009-14 DODGE RAM 1500
 PART # 45-3540, 40-3545
 SPORTSMAN GRILLE GUARD

AUTOMOTIVE PRODUCTS, INC.

ITEM	QUANTITY	DESCRIPTION	TOOLS NEEDED
1	1	GRILLE GUARD	18MM SOCKET
2 / 3	2	UPPER MOUNTING BRACKET - DRV/PASS {NOT USED FOR VEHICLES WITH FACTORY TOW HOOKS}	18MM WRENCH
4 / 5	2	FRAME MOUNTING BRACKET - DRV/PASS	16MM SOCKET
6 / 7	2	LOWER SUPPORT STRAP - DRV/PASS	16MM WRENCH
8 / 9	2	TOW POCKET SUPPORT STRAP - DRV/PASS	10MM SOCKET
10	2	M12 FINE THREAD BOLTS (YELLOW)	FLAT HEAD SCREWDRIVER
11	2	M12 COARSE THREAD BOLTS (YELLOW)	HAMMER
12	6	M12 HEX NUT (YELLOW)	TORQUE WRENCH
13	10	M12 FLAT WASHER (YELLOW)	UTILITY KNIFE
14	8	M12 LOCK WASHER (YELLOW)	ALLEN WRENCH
15	6	M12 BUTTON HEAD SCREW (BLACK / S/S)	
16	6	M12 CUPPED WASHER (BLACK / S/S)	
17	6	M12 FLANGE NUT (BLACK / S/S)	
18	2	M10 BUTTON HEAD SCREW (BLACK / S/S)	
19	2	M10 CUPPED WASHER (BLACK / S/S)	
20	2	M10 FLANGE NUT (BLACK / S/S)	

USE ANTI-SEIZE THREAD LUBRICANT ON ALL STAINLESS HARDWARE TO PREVENT THREAD GALLING

1. Remove contents from box, verify all parts listed are present and free from damage. Carefully read and understand all instructions before attempting installation.
2. Remove the lower bumper front valance by removing the two M6 bolts at the ends and prying out the center pins of the plastic retaining clips with a flat head screwdriver (Figure 1). Note: For “Express” and “Sport” models the valance attaches differently. It may be easier to leave the valance on; trimming it as necessary in future steps to install the brackets.
3. Remove the plastic bumper “tow pocket inserts”: For 2009—2012 vehicles, remove the inserts by removing the 2-piece plastic clips at the top of the panel, (Figure 3). Note: Use a flat-blade screwdriver to first pop the center pin out to release the clip. For 2013+ vehicles remove the two plastic bumper inserts that are attached with (4) M6 fasteners from the inside of the bumper (Figure 2). For “Express” and “Sport” vehicles pry on the molded plastic clips to pop the bumper insert loose (Figure 4). Note: For “Express” and “Sport” vehicles it will be very difficult to completely remove the insert from the vehicle. In this case it should be slid from one side to the other in order to allow room to install the Tow Pocket Support Straps.



Westin Automotive Products, Inc.
 320 Covina Blvd
 San Dimas, Ca. 91773

Thank You for choosing Westin products
 For Additional installation assistance please call
 Customer service (800) 793-7846
www.westinautomotive.com

For 2009—2012 vehicles remove these clips in order to remove the tow hook insert

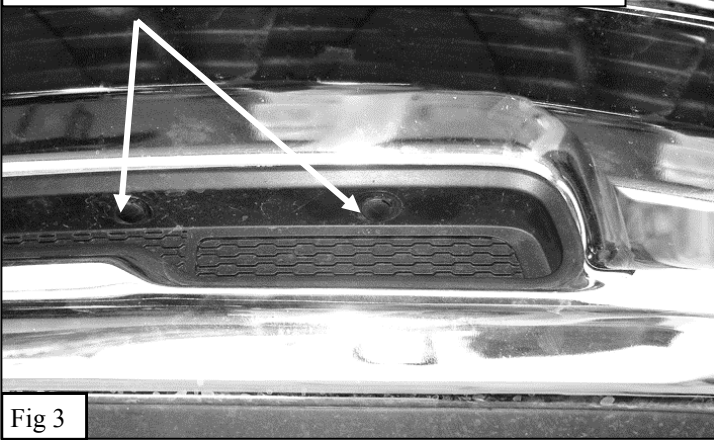


Fig 3

For "Express & Sport" vehicles pry on the molded clips from the backside to release

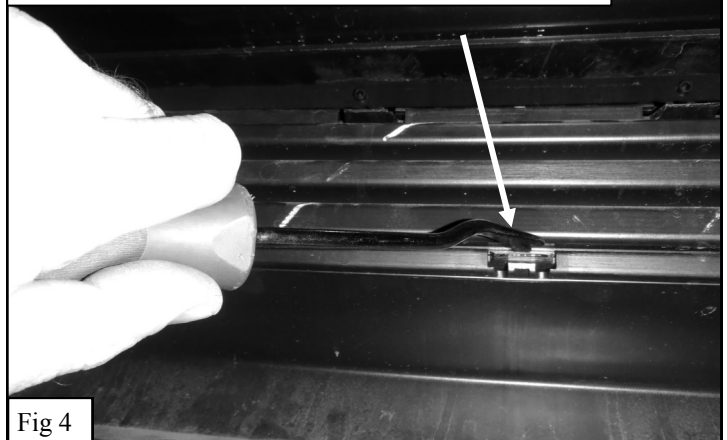


Fig 4

4. From behind the front bumper, remove the (2) hex nuts on the bottom of the bumper brackets securing the bumper to the frame, (Figure 5). Note: For vehicles with factory tow hooks it is only necessary to remove the nuts inboard toward the center of the vehicle.
5. Drive the inboard carriage bolts in the bumper bracket out of the bracket by striking the end of the bolts with a hammer (Figure 6). Discard the tin retaining washers.
6. Insert the Tow Pocket Support Straps into the openings in the front of the bumper and line up the mounting hole with the slot in the bumper bracket. Re-use the factory carriage bolts and nuts to secure these brackets. Attach all hardware loosely (Figure 7).
7. For vehicles without factory tow hooks loosely install the Upper Mounting Bracket on the backside of the carriage bolts (Figure 8).

Remove (2) factory hex nuts

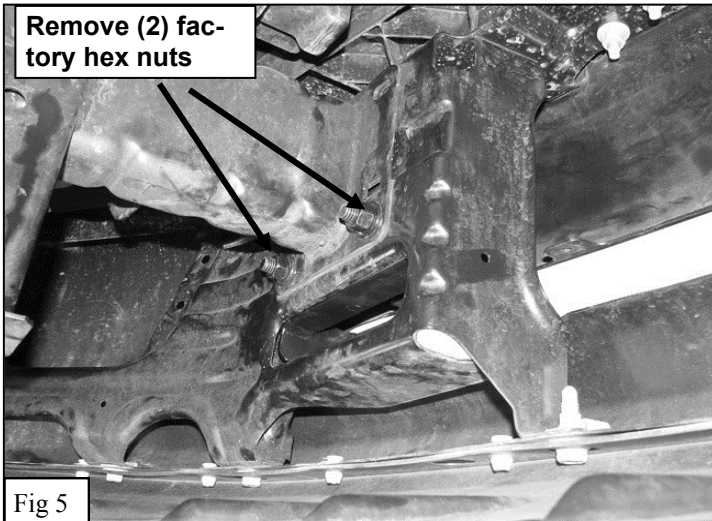


Fig 5

Knock out the inboard carriage screws with a hammer (Driver Side Shown)

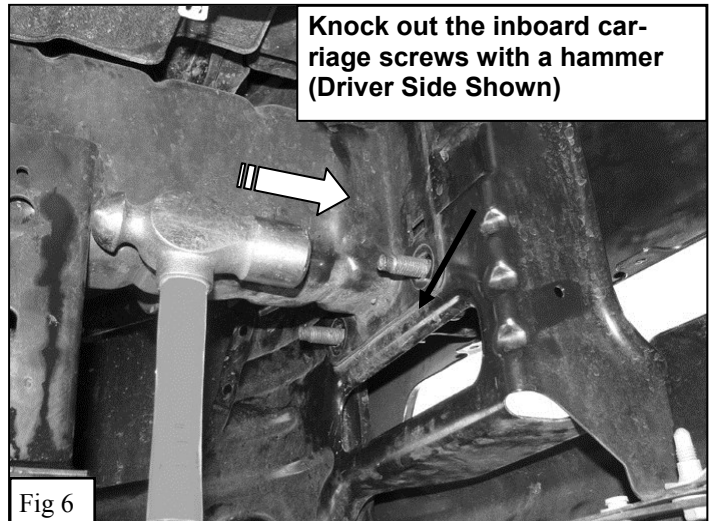


Fig 6

Install the Tow Pocket Support Strap (Pass Side Shown)

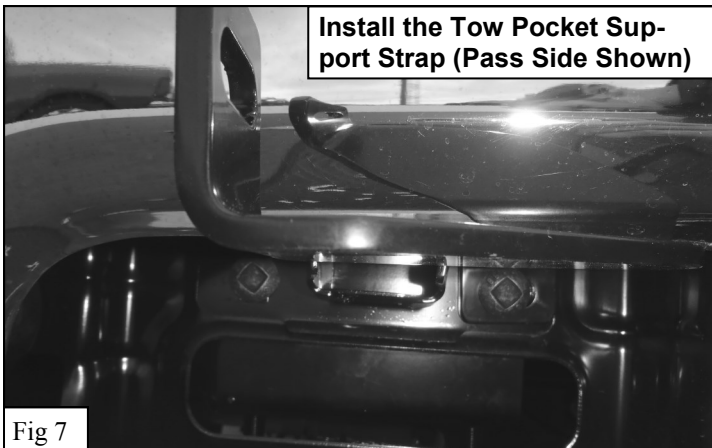


Fig 7

Install the Upper Mounting Bracket — Vehicles w/o Tow Hooks Only (Drv Side Shown)



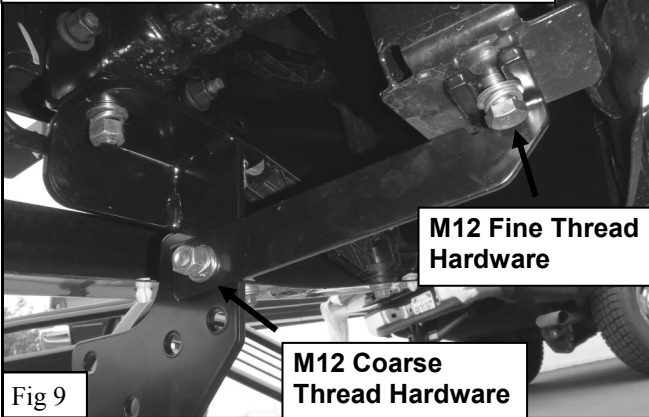
Fig 8



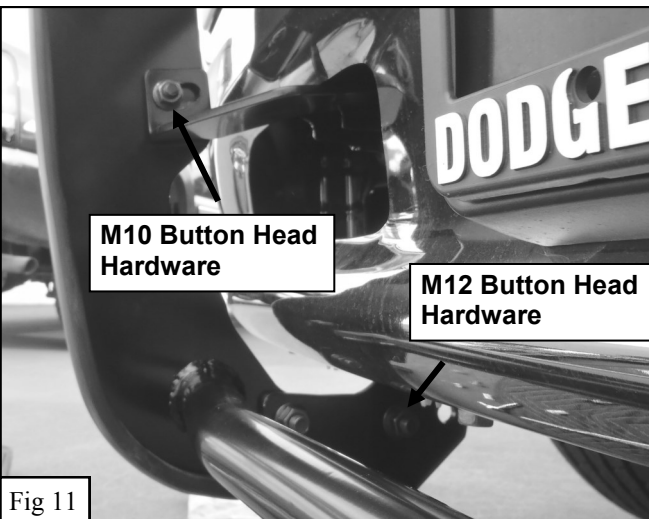
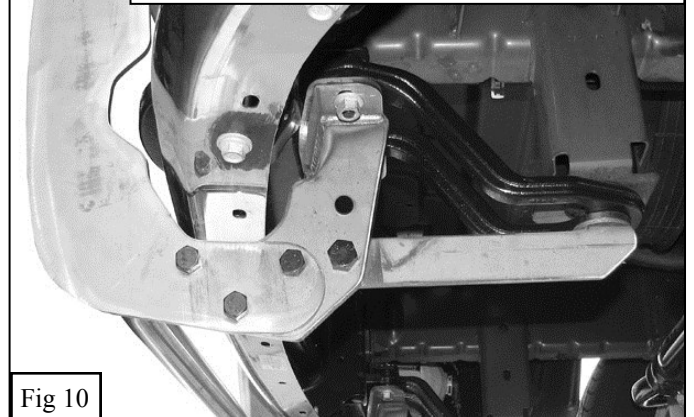
Westin Automotive Products, Inc.
320 Covina Blvd
San Dimas, Ca. 91773

8. Loosely install the Frame Mounting Brackets and the Lower Support Straps (“Express” and “Sport” vehicles may require trimming to the plastic valance support. For vehicles with factory tow hooks re-use the factory hardware at the tow hook mounting points and the Coarse Thread M12 Hardware to attach the Lower Support Strap to the Frame Mounting Brackets (Figure 9). For vehicles without factory tow hooks use the Fine Thread M12 Hardware to mount the rear of the Lower Support Strap to the frame pillar and the Coarse Thread M12 Hardware to attach the Lower Support Strap to the Frame Mounting Brackets (Figure 10).
9. With assistance, lift the Grille Guard and loosely attach it to the mounting brackets. Use the M12 Button Head Hardware to attach to the Frame Mount Brackets and the M10 Button Head Hardware to attach the Tow Pocket Support Straps (Figure 11).
10. Trim the lower valance and tow pocket inserts to fit around the mounting brackets and re-install using factory hardware.

Mounting Bracket Installation — Vehicles w/o Tow Hooks (Drv Side Shown)



Mounting Bracket Installation — Vehicles with Tow Hooks (Pass Side Shown)



Installation Complete



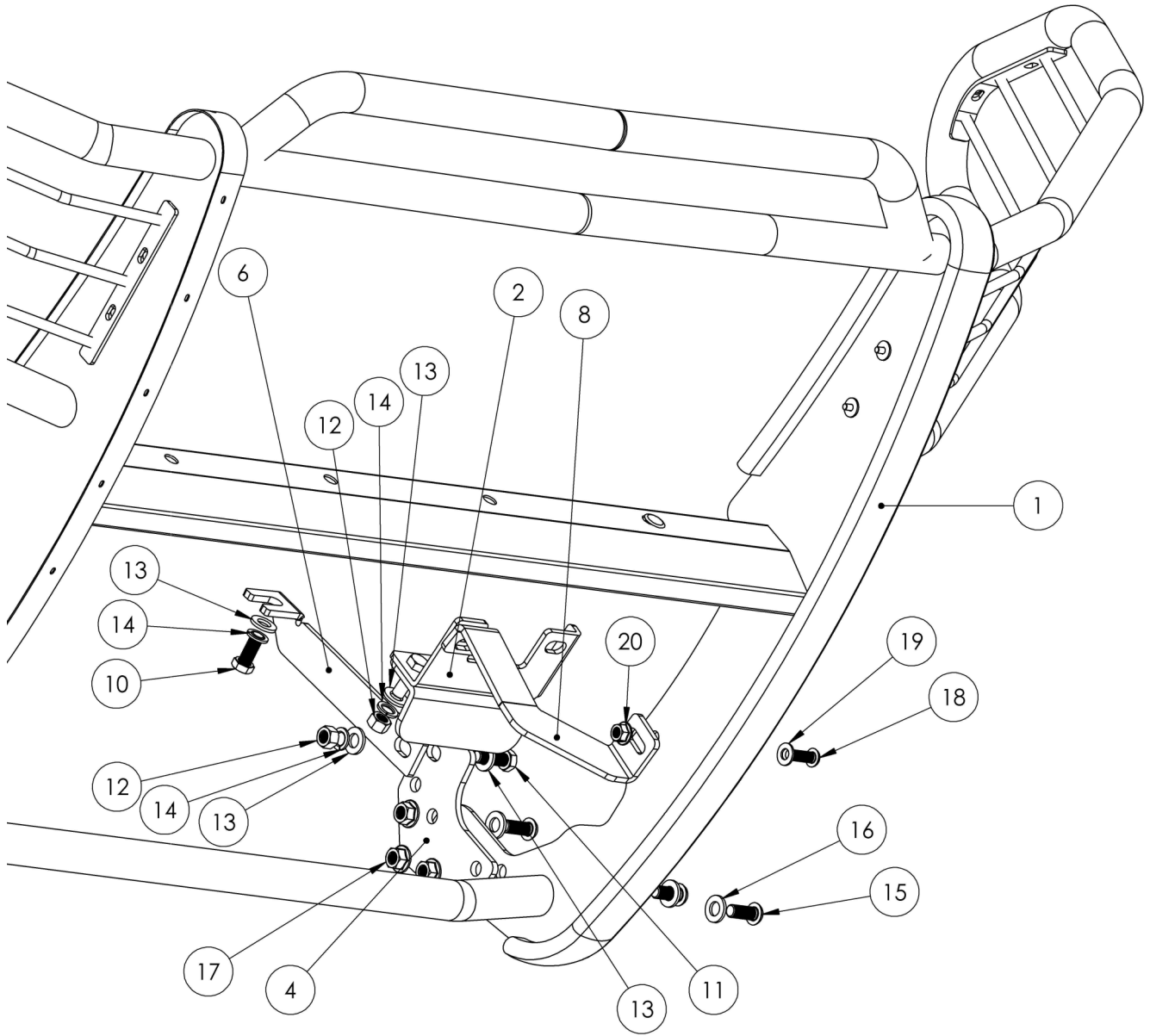
CARE INSTRUCTIONS

- REGULAR WAXING IS RECOMMENDED. DO NOT USE ANY TYPE OF POLISH OR WAX THAT MAY CONTAIN ABRASIVES.
- STAINLESS STEEL PRODUCTS CAN BE CLEANED WITH MILD SOAP AND WATER. STAINLESS STEEL POLISH SHOULD BE USED TO POLISH SMALL SCRATCHES.
- GLOSS BLACK FINISHES SHOULD BE CLEANED WITH MILD SOAP AND WATER.



Westin Automotive Products, Inc.
320 Covina Blvd
San Dimas, Ca. 91773

Thank You for choosing Westin products
For Additional installation assistance please call
Customer service (800) 793-7846
www.westinautomotive.com



Exploded View



Westin Automotive Products, Inc.
 320 Covina Blvd
 San Dimas, Ca. 91773

Thank You for choosing Westin products
 For Additional installation assistance please call
 Customer service (800) 793-7846
www.westinautomotive.com