



INSTALLATION INSTRUCTIONS

HDX XTREME BOARD

APPLICATION:

2009-2014 Ford F150 Super Crew

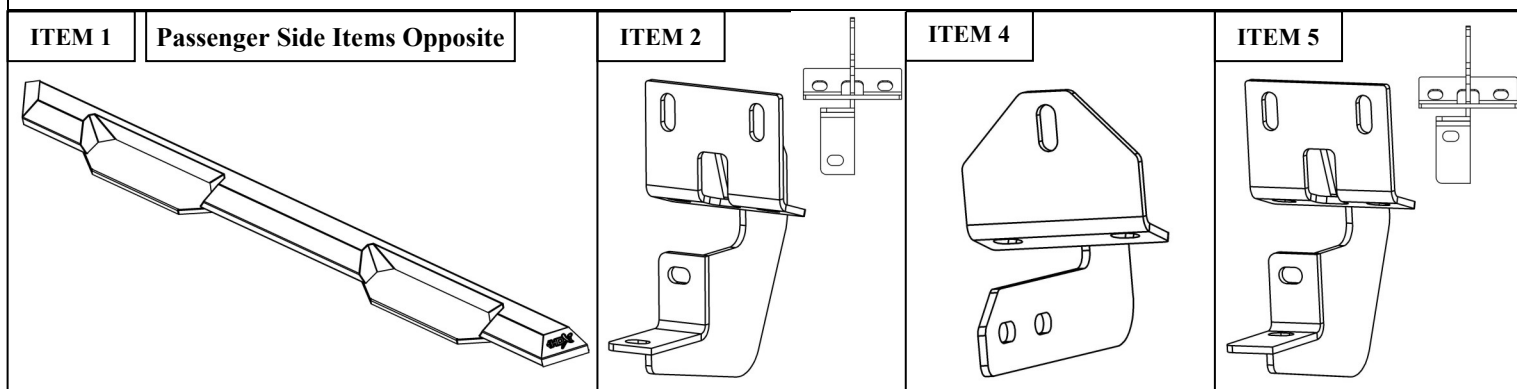
PART NUMBER:

56-23525

AUTOMOTIVE PRODUCTS,

ITEM	QUANTITY	DESCRIPTION	TOOLS NEEDED
1	2	RUNNING BOARDS	13MM SOCKET
2,3	2	FRONT MOUNT BRACKET, DRIVER (2) AND PASSENGER (3)	13MM WRENCH
4	2	CENTER MOUNT BRACKET	13MM DEEP SOCKET
5,6	2	REAR MOUNT BRACKET, DRIVER (5) AND PASSENGER (6)	SOCKET EXT.
7	10	M8 EXTRUDED U-NUT (BLUE DACROMET)	RATCHET
8	22	M8 HEX HEAD CAP SCREW (YELLOW ZINC)	TORQUE WRENCH
9	22	M8 FLAT WASHER (YELLOW ZINC)	ALLEN WRENCH
10	22	M8 SPLIT LOCK WASHER (YELLOW ZINC)	
11	12	M8 SPLIT LOCK WASHER (BLACK ZINC)	
12	12	M8 HEX HEAD CAP SCREW (BLACK ZINC)	
13	24	M8 FLAT WASHER (BLACK ZINC)	
14	12	M8 HEX NUT (BLACK ZINC)	

ANTI-SEIZE LUBRICANT MUST BE USED ON ALL STAINLESS STEEL FASTENERS TO PREVENT THREAD DAMAGE AND GALLING



PROCEDURE

- Remove contents from box, verify if all parts listed are present and free from damage. Carefully read and understand all instructions before attempting installation.
Failure to identify damage before installation could lead to a rejection of any claim.
- Start installation on driver's side. Remove factory tape covering holes on the rocker panel. These holes will be where the M8 extruded u-nuts (Item 7) will be installed. **See Figures 1 and 2.**
- Hold up front/rear mounting bracket (Items 2/3 (front) or Items 5/6 (rear)) and loosely install (2) M8 hex head cap screws (Item 8), (2) M8 flat washers (Item 9) and (2) M8 split lock washers (Item 10) into previously installed M8 extruded u-nuts. Then loosely install M8 hardware to mounting bracket and holes in pinch weld; (2) M8 hex head cap screws (Item 12), (4) M8 flat washers (Item 13), (2) M8 split lock washers (Item 11) and (2) M8 hex nuts. Similar installation for center mounting bracket. **See Figures 1 and 2.** (Note: See page 2 for bracket orientation).



Westin Automotive Products, Inc.
320 W. Covina Blvd
San Dimas, Ca. 91773

Thank you for choosing Westin products
for additional installation assistance please call
Customer Service (800) 793-7846

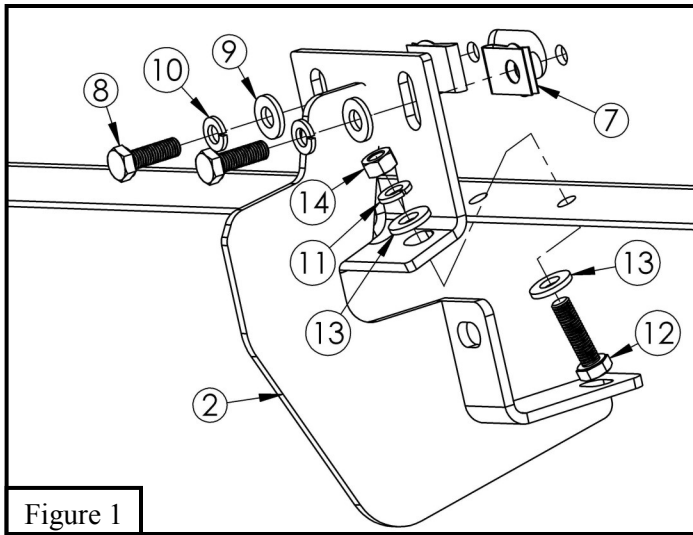


Figure 1

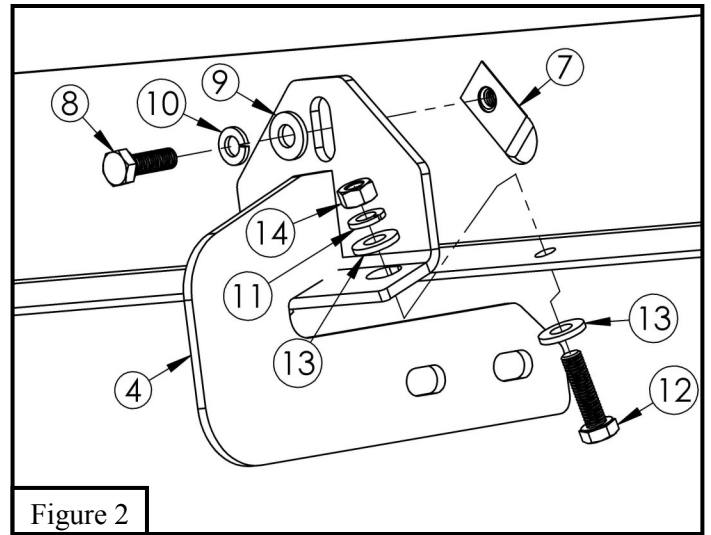


Figure 2

4. Repeat steps 2-3 for all other mounting locations.
5. For Step Board installation to the previously installed mounting brackets use the supplied M8 hardware (Items 8-10). See **Figures 3 and 4.**
6. Align step bar and brackets to desired positioning then torque and tighten all: M8 hardware to 20 ft-lbs.

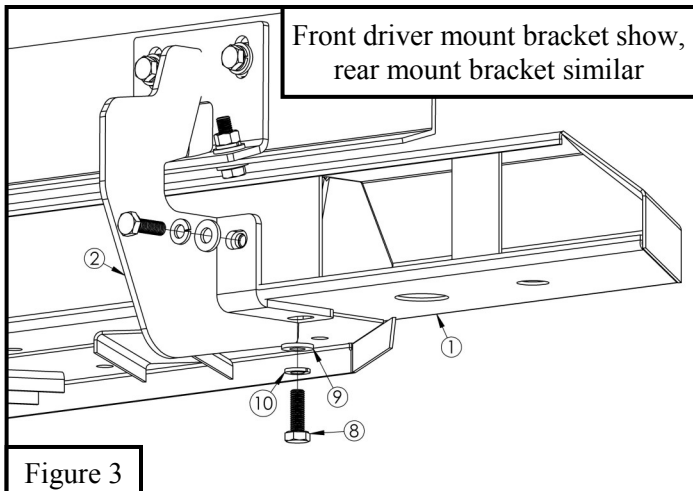


Figure 3

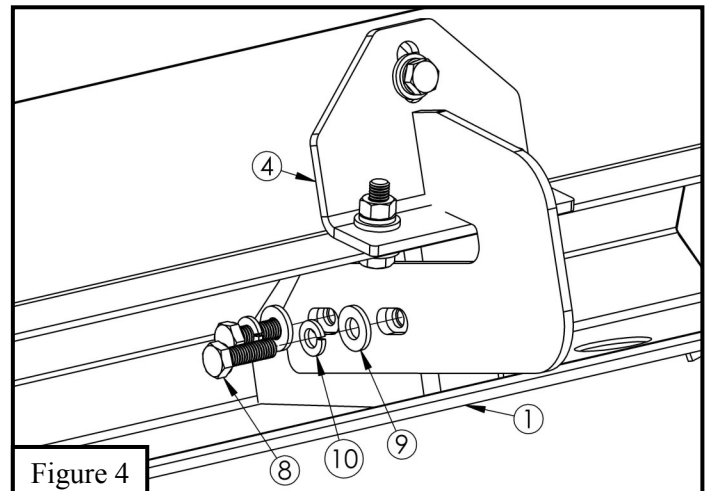
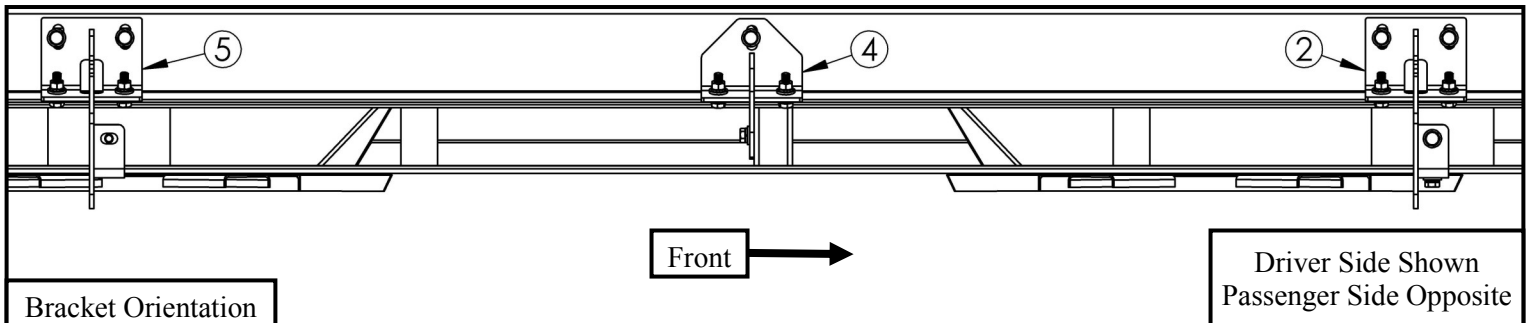


Figure 4



Bracket Orientation

Driver Side Shown
Passenger Side Opposite



Westin Automotive Products, Inc.
320 W. Covina Blvd
San Dimas, Ca. 91773

Thank you for choosing Westin products
for additional installation assistance please call
Customer Service (800) 793-7846

INSTALLATION COMPLETE



Step pads not shown

CARE INSTRUCTIONS

- REGULAR WAXING IS RECOMMENDED. DO NOT USE ANY TYPE OF POLISH OR WAX THAT MAY CONTAIN ABRASIVES.
- STAINLESS STEEL PRODUCTS CAN BE CLEANED WITH MILD SOAP AND WATER. STAINLESS STEEL POLISH SHOULD BE USED TO POLISH SMALL SCRATCHES.
- GLOSS BLACK FINISHES SHOULD BE CLEANED WITH MILD SOAP AND WATER.



Westin Automotive Products, Inc.
320 W. Covina Blvd
San Dimas, Ca. 91773

Thank you for choosing Westin products
for additional installation assistance please call
Customer Service (800) 793-7846
www.westinautomotive.com

Westin

SIGNATURE OF QUALITY

AUTOMOTIVE PRODUCTS, INC.



WARNING



Failure to follow these instructions could lead to death, personal injury, and / or property damage.

FASTENERS:

All Westin supplied fasteners must be utilized and installed in accordance with the installation instructions and apply torque to the specifications as defined. **DOUBLE CHECK ALL FASTENERS BEFORE INITIAL USE, AND PERIODICALLY IN THE FUTURE TO ENSURE PROPER FUNCTION AND SAFETY.**

DRILLING:

Most Westin products do not require drilling for installation. If drilling is defined as required, use caution when drilling a vehicle. **FAILURE TO REVIEW AN AREA TO BE DRILLED MAY RESULT IN PERSONAL INJURY AND/OR INJURY TO OTHERS AS WELL AS VEHICLE DAMAGE.**

EYE PROTECTION:

ALWAYS WEAR SAFETY GLASSES OR GOGGLES DURING THE INSTALLATION PROCESS TO AVOID PERSONAL INJURY.

MAXIMUM TOWING/CARRYING CAPACITY:

The Westin Receiver Hitches will have a visible tow rating label affixed directly on the product. User should never exceed the vehicle manufacturers maximum tow and weight rating regardless of the capacity of the hitch. **FAILURE TO FOLLOW THESE GUIDELINES WILL VOID THE WESTIN WARRANTY AND MAY RESULT IN PERSONAL INJURY AND/OR INJURY TO OTHERS AS WELL AS VEHICLE DAMAGE.**

Westin Automotive Products, Inc.
320 W. Covina Blvd
San Dimas, Ca. 91773