

INSTALLATION INSTRUCTIONS

HDX MODULAR GRILLE GUARD

APPLICATION:

2017-2022 Ford F-250/350

(Excl. Harley Davidson, Limited, & Raptor) (Excl. w/Sensors)

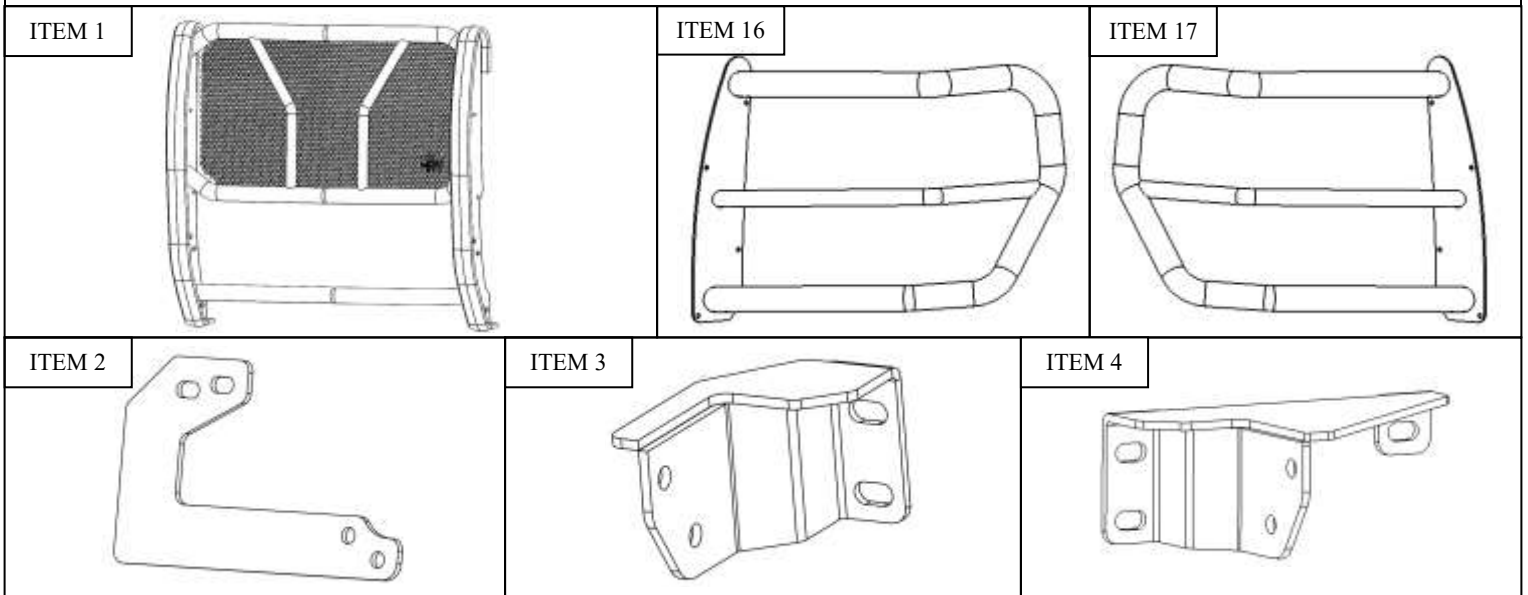
PART NUMBER:

57-23900, 57-23905



ITEM	QUANTITY	DESCRIPTION	TOOLS NEEDED
1	1	HDX GRILLE GUARD BASE	13MM SOCKET
2	2	LOWER SUPPORT BRACKET	16MM SOCKET
3	1	DRIVER SIDE LOWER MOUNTING BRACKET	17MM SOCKET
4	1	PASSENGER SIDE LOWER MOUNTING BRACKET	18MM SOCKET
5	8	M12 FLAT WASHER (YELLOW ZINC)	19MM SOCKET
6	8	M12 SPLIT LOCK WASHER (YELLOW ZINC)	FLAT HEAD SCREW DRIVER
7	8	M12 HEX NUT (YELLOW ZINC)	
8	8	M12 SOCKET BUTTON HEAD SCREW (BLACK ZINC OR RAW S/S)	ALLEN WRENCH
9	8	M12 CUP WASHER (BLACK ZINC OR RAW S/S)	SOCKET EXT.
10	8	M12 SERRATED FLANGE NUT (BLACK ZINC OR RAW S/S)	RATCHET
11	2	M12 PLASTIC RETAINER	TORQUE WRENCH
12	2	M12 FISH WIRE	
13	12	M8 HEX SOCKET BUTTON HEAD BOLT (BLACK ZINC OR RAW S/S)	
14	12	M8 BELLVILLE WASHER (BLACK ZINC OR RAW S/S)	
15	12	M8 SERRATED FLANGE NUT (BLACK ZINC OR RAW S/S)	
16	1	HDX DRIVER WING	
17	1	HDX PASSENGER WING	

ANTI-SEIZE LUBRICANT MUST BE USED ON ALL STAINLESS STEEL FASTENERS TO PREVENT THREAD DAMAGE AND GALLING

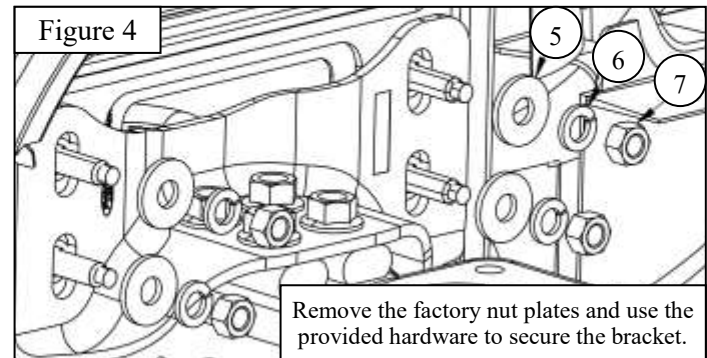
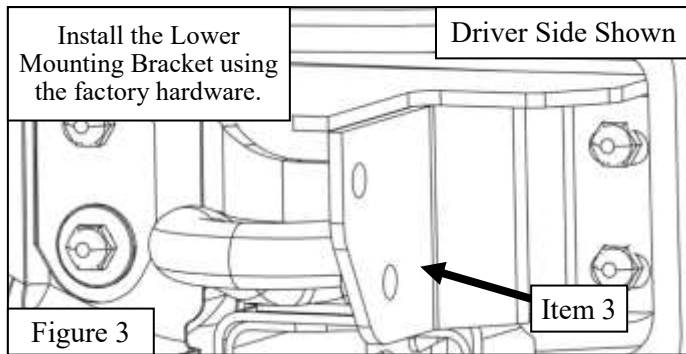


PROCEDURE

1. Remove contents from box, verify if all parts listed are present and free from damage. Carefully read and understand all instructions before attempting installation.
Failure to identify damage before installation could lead to a rejection of any claim.
2. Starting on either side, use a flathead screw driver to remove the plastic covers located around the factory tow hooks. Repeat for other side. See **Figures 1 & 2** for reference.



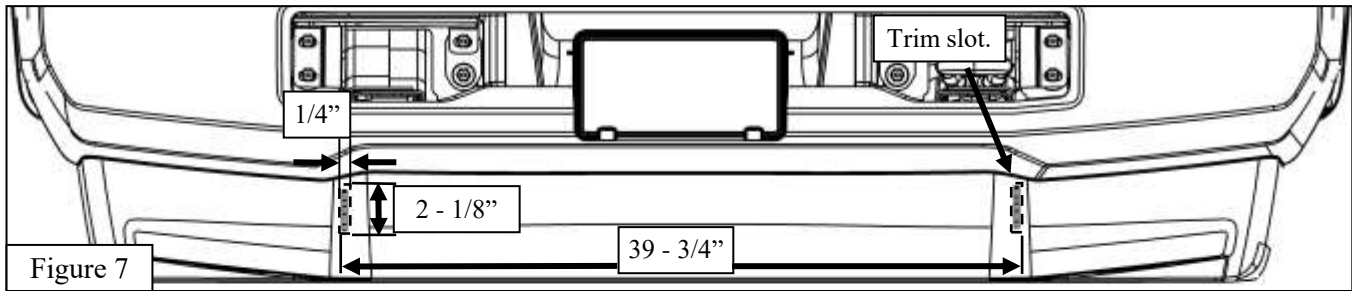
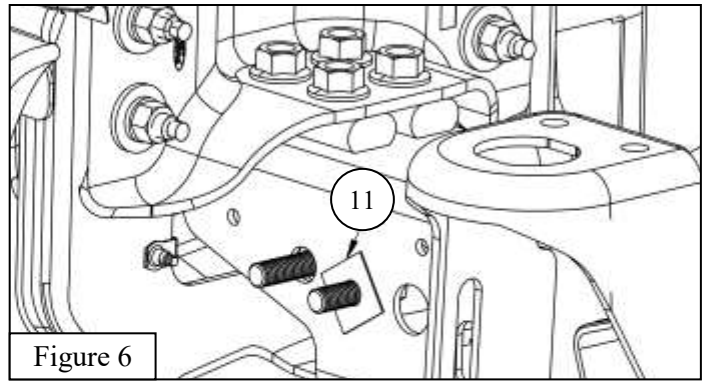
3. Starting on either side. Locate (1) Lower Mounting Bracket (Items 3-4) and loosely install it onto the factory bolts under the previously removed plastic covers using (4) M12 flat washers, (4) M12 split lock washers, and (4) M12 hex nuts. See **Figures 3 & 4** for reference.



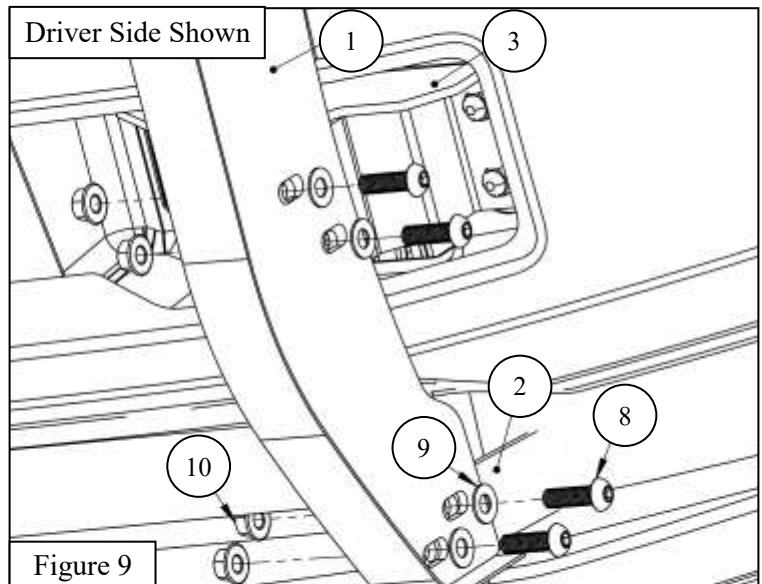
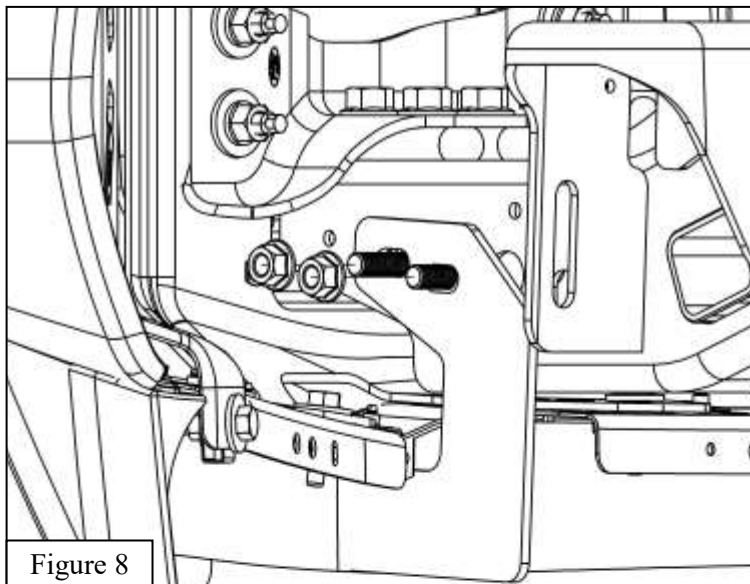
4. From underneath the vehicle, remove the factory bracket while making sure to keep the factory bolt plate from falling into the frame channel. Refer to **Figure 5**. **Note:** If factory M12 bolt plate falls into vehicle frame use the provided M12 fish wire to position it back into its original location. Then, use the provided M12 plastic retainer to prevent the factory bolt plate from falling into vehicle frame. See **Figure 6** for reference.
5. On the lower plastic bumper trim (2) slots of approximately 2-1/8" x 1/4". From the center of the vehicle, each slot is approximately 19-7/8" from the outer edge of the slot. See **Figure 7** for reference.



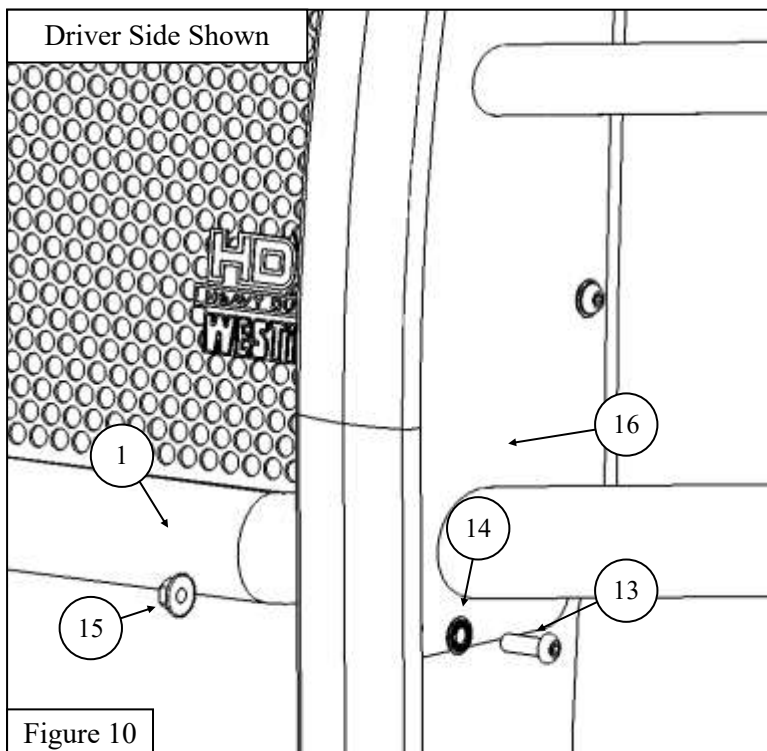
Westin Automotive Products, Inc.
320 W. Covina Blvd
San Dimas, Ca. 91773



6. Locate (1) Lower Support Bracket (Item 2) and insert through the newly trimmed slots. Loosely secure the bracket onto vehicle frame using the factory hardware. See **Figure 8** for reference.
7. Repeat **steps 3 through 6** for the other side.
8. Locate the HDX Grille Guard Base and with assistance, loosely mount it to the previously installed brackets using (8) M12 cup washers, (8) M12 serrated flange nuts and (8) M12 hex socket button head screw. See **Figure 9** for reference.



9. Locate and mount the HDX Driver Wing (Item 16) to the HDX Grille Guard Base using the supplied M8 hardware (Items 13-15). See **Figure 10** for reference.
10. Repeat **Step 9** for the HDX Passenger Wing (Item 17).
11. Align and adjust the HDX Grille Guard Base, HDX Wings, and mounting brackets as necessary. Fully tighten and torque all hardware as specified: M8 hardware to 16-18 ft-lbs., M12 hardware to 50-55 ft-lbs.



Westin Automotive Products, Inc.
320 W. Covina Blvd
San Dimas, Ca. 91773

INSTALLATION COMPLETE



CARE INSTRUCTIONS

- REGULAR WAXING IS RECOMMENDED. DO NOT USE ANY TYPE OF POLISH OR WAX THAT MAY CONTAIN ABRASIVES.
- STAINLESS STEEL PRODUCTS CAN BE CLEANED WITH MILD SOAP AND WATER. STAINLESS STEEL POLISH SHOULD BE USED TO POLISH SMALL SCRATCHES.
- GLOSS BLACK FINISHES SHOULD BE CLEANED WITH MILD SOAP AND WATER.



Westin Automotive Products, Inc.
320 W. Covina Blvd
San Dimas, Ca. 91773

Thank you for choosing Westin products
for additional installation assistance please call
Customer Service (800) 793-7846
www.westinautomotive.com



WARNING



Failure to follow these instructions could lead to death, personal injury, and / or property damage.

Failure to follow these instructions could lead to death, personal injury, and / or property damage.

FASTENERS:

All Westin supplied fasteners must be utilized and installed in accordance with the installation instructions and apply torque to the specifications as defined. **DOUBLE CHECK ALL FASTENERS BEFORE INITIAL USE, AND PERIODICALLY IN THE FUTURE TO ENSURE PROPER FUNCTION AND SAFETY.**

DRILLING:

Most Westin products do not require drilling for installation. If drilling is defined as required, use caution when drilling a vehicle. **FAILURE TO REVIEW AN AREA TO BE DRILLED MAY RESULT IN PERSONAL INJURY AND/OR INJURY TO OTHERS AS WELL AS VEHICLE DAMAGE.**

EYE PROTECTION:

ALWAYS WEAR SAFETY GLASSES OR GOGGLES DURING THE INSTALLATION PROCESS TO AVOID PERSONAL INJURY.

MAXIMUM TOWING/CARRYING CAPACITY: (if applicable)

The Westin Receiver Hitches will have a visible tow rating label affixed directly on the product. User should never exceed the vehicle manufacturers maximum tow and weight rating regardless of the capacity of the hitch. **FAILURE TO FOLLOW THESE GUIDELINES WILL VOID THE WESTIN WARRANTY AND MAY RESULT IN PERSONAL INJURY AND/OR INJURY TO OTHERS AS WELL AS VEHICLE DAMAGE.**

FOR CALIFORNIA RESIDENTS ONLY-PROP 65 WARNING:

Some products may contain chemicals such as DEHP, which can cause cancer, birth defects or other reproductive harm. For more info go to www.p65warnings.ca.gov



Westin Automotive Products, Inc.
320 W. Covina Blvd
San Dimas, Ca. 91773