

# INSTALLATION INSTRUCTIONS

## OUTLAW NERF STEP BARS

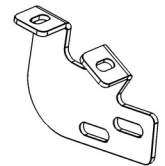
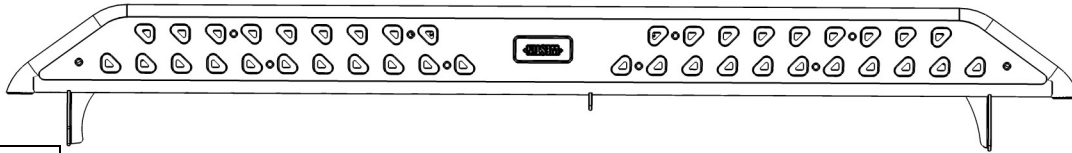


**APPLICATION:**  
2005-2019 Toyota Tacoma Double Cab  
**PART NUMBER:**  
58-52775

CONTENT			
ITEM	QUANTITY	DESCRIPTION	TOOLS NEEDED
1	1	DRIVER STEP BAR ASSEMBLY	13MM SOCKET
2	1	PASSENGER STEP BAR ASSEMBLY	13MM WRENCH
3	1	DRIVER FRONT MOUNTING BRACKET	16MM SOCKET
4	1	PASSENGER FRONT MOUNTING BRACKET	16MM WRENCH
5	1	DRIVER CENTER MOUNTING BRACKET	RATCHET
6	1	PASSENGER CENTER MOUNTING BRACKET	TORQUE WRENCH
7	1	DRIVER REAR MOUNTING BRACKET	
8	1	PASSENGER REAR MOUNTING BRACKET	
9	12	M8 HEX HEAD CAP SCREW	
10	12	M8 SPLIT LOCK WASHER	
11	12	M8 FLAT WASHER	
12	12	M10 HEX HEAD CAP SCREW	
13	12	M10 BELLVILLE WASHER	
14	12	M10 SERRATED FLANGE NUT	

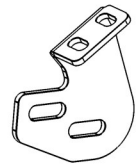
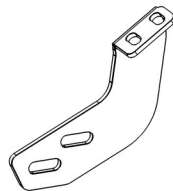
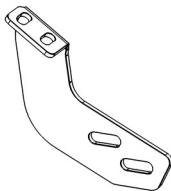
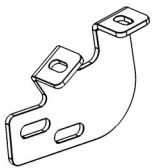
**ANTI-SEIZE LUBRICANT MUST BE USED ON ALL STAINLESS STEEL FASTENERS TO PREVENT THREAD DAMAGE AND GALLING**

Passenger Side Opposite



ITEM 1

ITEM 3



ITEM 4

ITEM 5

ITEM 6

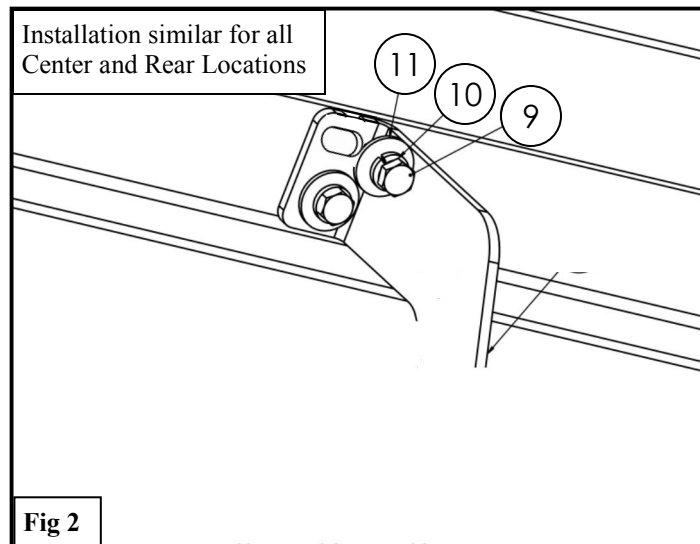
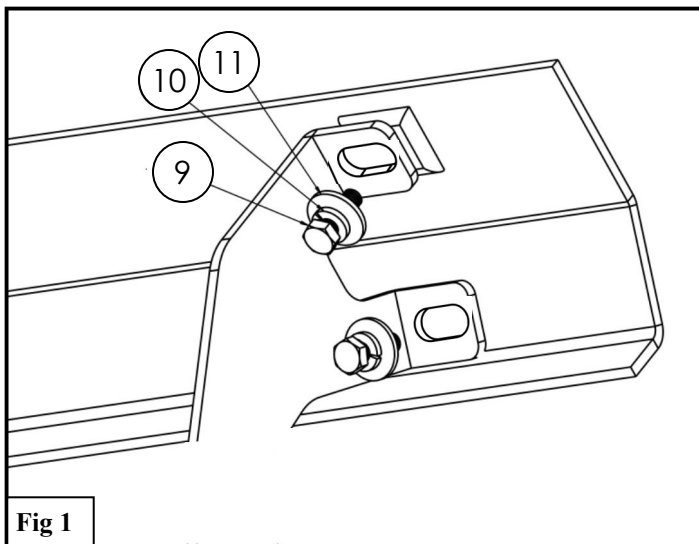
ITEM 7

ITEM 8

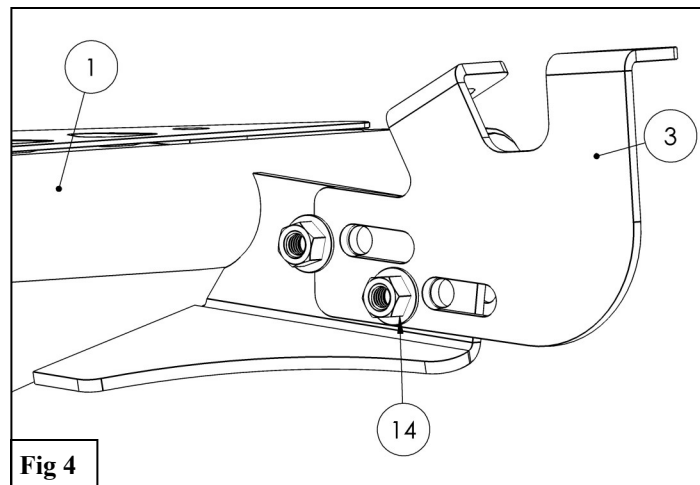
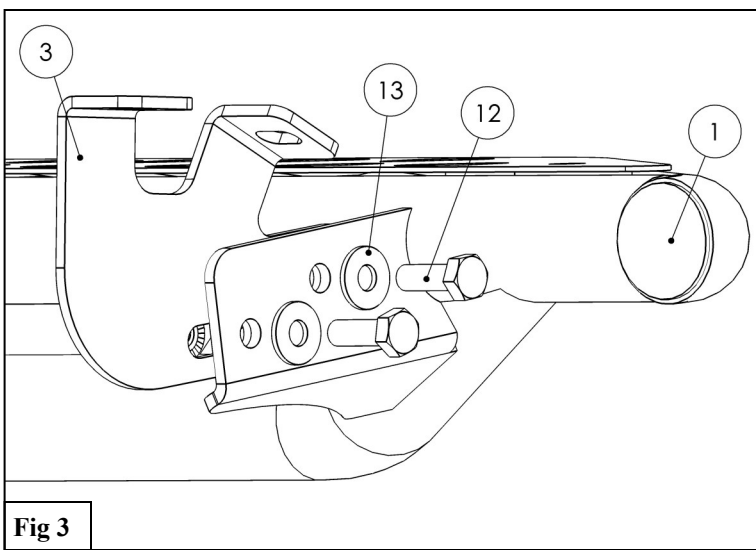
## PROCEDURE

1. Remove contents from box, verify if all parts listed are present and free from damage.  
Carefully read and understand all instructions before attempting installation.  
**Failure to identify damage before installation could lead to a rejection of any claim.**

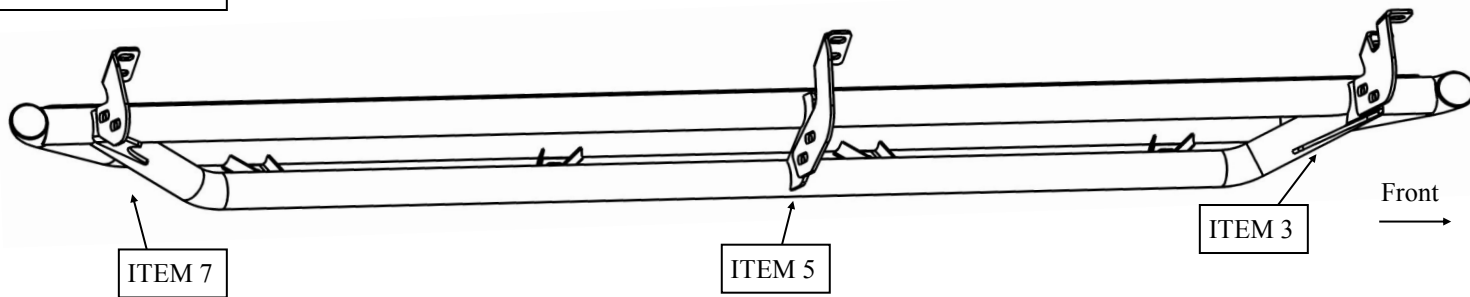
2. Start installation on either side of the vehicle. Locate mounting locations with factory threaded holes with caps covering them. Remove factory caps from threaded holes, they will not be used again. Locate (1) Front Mounting Bracket and loosely install it to the front mounting location on the rocker panel using (2) Long M8 hex head cap screw, (2) M8 split lock washer, and (2) M8 flat washer. Locate the Center and Rear Mounting Brackets (Item 3) and loosely secure in the correct mounting locations on the rocker panel. Loosely install using the provided M8 hardware. **See Figure. 1 and 2.**
3. Repeat Step 2 for the other vehicle side.



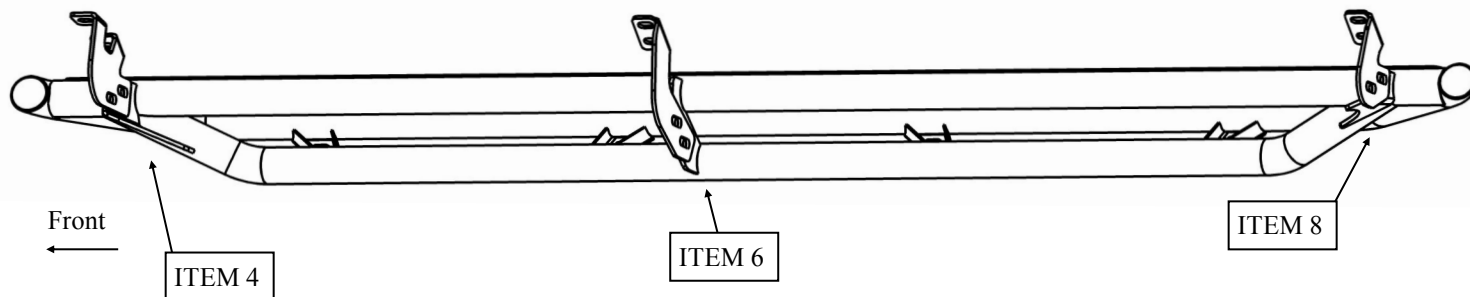
4. For step bar installation, use the supplied M10 Hardware to loosely secure the step bar to the preinstalled brackets. See **Figures 3 & 4.** *Note: All brackets install similarly to step bar.*
5. Align and adjust the step bars and brackets as needed, then fully tighten all hardware: M8 to 18 ft-lbs, M10 to 38 ft-lbs.



Driver Side Shown



Passenger Side Shown



### INSTALLATION COMPLETE



#### CARE INSTRUCTIONS

- REGULAR WAXING IS RECOMMENDED. DO NOT USE ANY TYPE OF POLISH OR WAX THAT MAY CONTAIN ABRASIVES.
- STAINLESS STEEL PRODUCTS CAN BE CLEANED WITH MILD SOAP AND WATER. STAINLESS STEEL POLISH SHOULD BE USED TO POLISH SMALL SCRATCHES.
- GLOSS BLACK FINISHES SHOULD BE CLEANED WITH MILD SOAP AND WATER

**WESTIN** Westin Automotive Products, Inc.  
320 W. Covina Blvd  
San Dimas, Ca. 91773

Thank you for choosing Westin products  
for additional installation assistance please call  
Customer Service (800) 793-7846  
[www.westinautomotive.com](http://www.westinautomotive.com)



## WARNING



Failure to follow these instructions could lead to death, personal injury, and / or property damage.

Failure to follow these instructions could lead to death, personal injury, and / or property damage.

### FASTENERS:

All Westin supplied fasteners must be utilized and installed in accordance with the installation instructions and apply torque to the specifications as defined. **DOUBLE CHECK ALL FASTENERS BEFORE INITIAL USE, AND PERIODICALLY IN THE FUTURE TO ENSURE PROPER FUNCTION AND SAFETY.**

### DRILLING:

Most Westin products do not require drilling for installation. If drilling is defined as required, use caution when drilling a vehicle. **FAILURE TO REVIEW AN AREA TO BE DRILLED MAY RESULT IN PERSONAL INJURY AND/OR INJURY TO OTHERS AS WELL AS VEHICLE DAMAGE.**

### EYE PROTECTION:

**ALWAYS WEAR SAFETY GLASSES OR GOGGLES DURING THE INSTALLATION PROCESS TO AVOID PERSONAL INJURY.**

### MAXIMUM TOWING/CARRYING CAPACITY: (if applicable)

The Westin Receiver Hitches will have a visible tow rating label affixed directly on the product. User should never exceed the vehicle manufacturers maximum tow and weight rating regardless of the capacity of the hitch. **FAILURE TO FOLLOW THESE GUIDELINES WILL VOID THE WESTIN WARRANTY AND MAY RESULT IN PERSONAL INJURY AND/OR INJURY TO OTHERS AS WELL AS VEHICLE DAMAGE.**

### FOR CALIFORNIA RESIDENTS ONLY-PROP 65 WARNING:

Some products may contain chemicals such as DEHP, which can cause cancer, birth defects or other reproductive harm. For more info go to [www.p65warnings.ca.gov](http://www.p65warnings.ca.gov)



Westin Automotive Products, Inc.  
320 W. Covina Blvd  
San Dimas, Ca. 91773