

# INSTALLATION INSTRUCTIONS

## LED COWL MOUNT



**APPLICATION:**

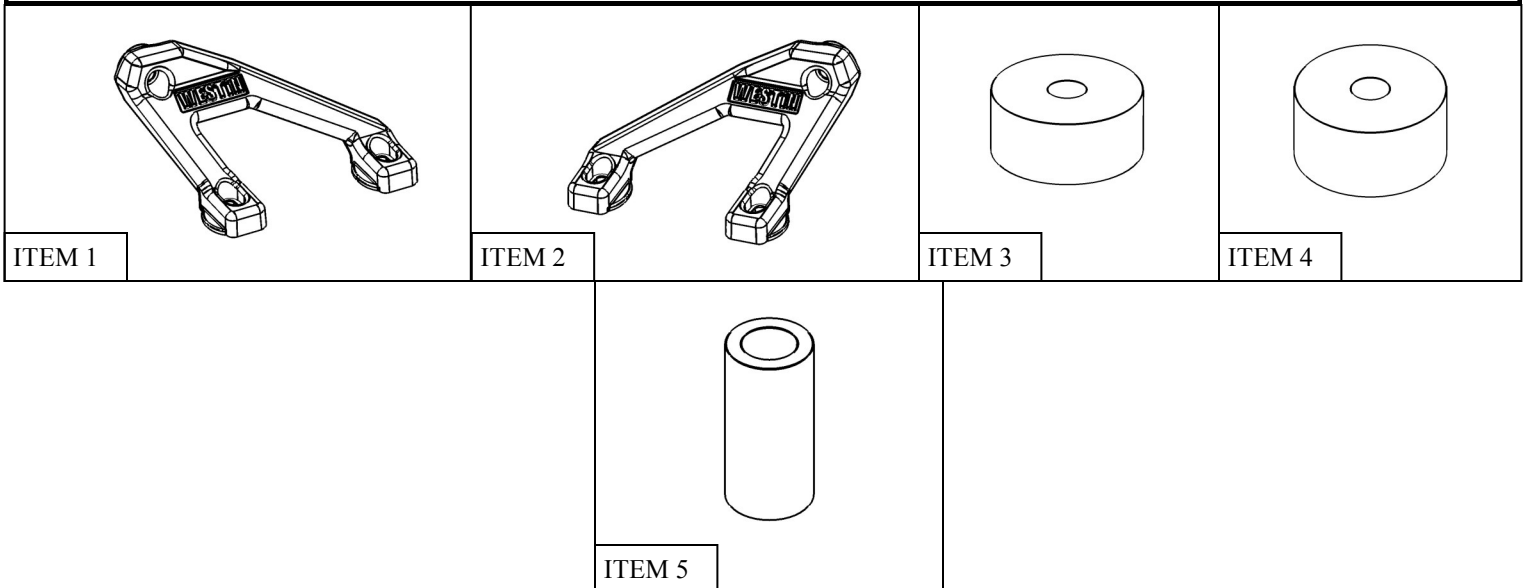
2018-2019 Jeep Wrangler JL 2 Dr /Wrangler JL Unlimited 4 Dr  
(Excl. 2018 JK)

**PART NUMBER:**

62-41075; *Note: Only Single Row LED Bars to be used with this product*

CONTENT			
ITEM	QUANTITY	DESCRIPTION	TOOLS NEEDED
1	1	DRIVER MOUNTING BRACKET	ALLEN WRENCH
2	1	PASSENGER MOUNTING BRACKET	TORX BIT
3	2	SHORT 25 MM O.D. SPACER	TORQUE WRENCH
4	2	TALL 25 MM O.D. SPACER	
5	4	10 MM O.D. SPACER	
6	8	FOAM TAPE SQUARE	
7	2	M8 SOCKET HEAD SCREW	
8	2	M8 SPLIT LOCK WASHER	
9	2	SHORT M6 BUTTON HEAD SCREW	
10	2	LONG M6 BUTTON HEAD SCREW	
11	2	M6 SPLIT LOCK WASHER	
12	2	M6 TOOTH LOCK WASHER	
13	4	M6 FLAT WASHER	

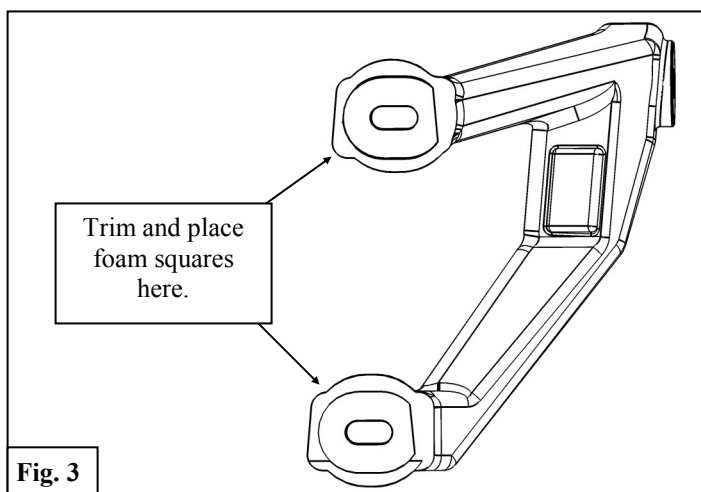
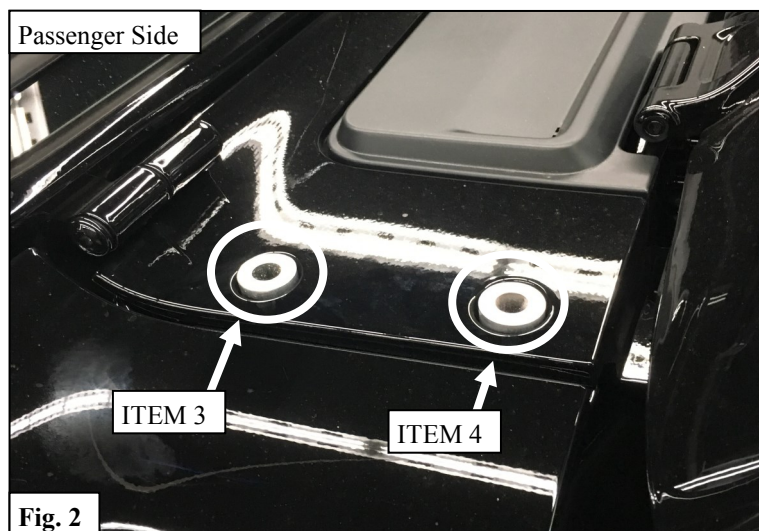
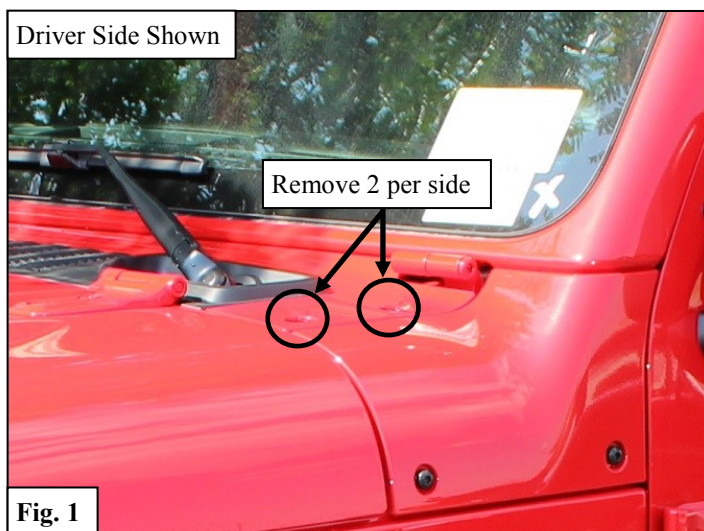
**ANTI-SEIZE LUBRICANT MUST BE USED ON ALL STAINLESS STEEL FASTENERS TO PREVENT THREAD DAMAGE AND GALLING**



## PROCEDURE

1. Remove contents from box, verify if all parts listed are present and free from damage.  
Carefully read and understand all instructions before attempting installation.  
**Failure to identify damage before installation could lead to a rejection of any claim.**

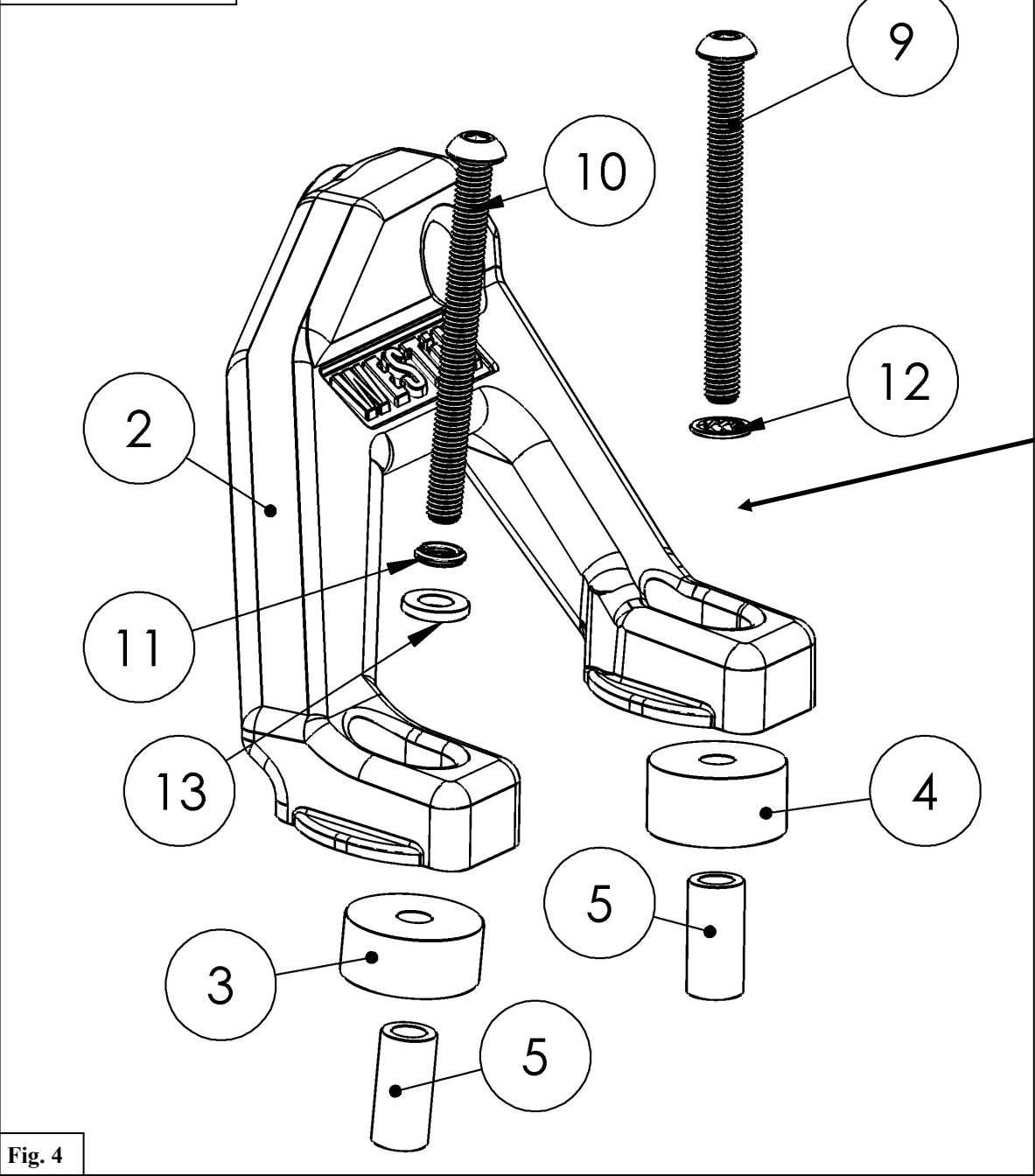
2. Remove the four cowl bolts as shown in **Figure 1**.
3. Insert the 10mm O.D. Spacer (5) into each of the four holes that the cowl bolts were removed from in **Step 1**.
4. Trim 4 foam Tape Squares (6) and place over the 10mm O.D. Spacers (5). *Note: be sure to clean area so that the tape can adhere.*
5. Place the 25mm O.D. Spacers (3 & 4) over the 10mm O.D. Spacers: Short Spacer (3) will be placed in the rear-most location on each side, Long Spacer (4) will be placed in the front-most location on each side. See **Figure 2**.



6. Place foam squares on the underside of each cowl mount foot and trim as necessary. See **Figure 3**.

7. Place the Mounting Bracket (1-2) in place and loosely install the supplied M6 Hardware. See **Figure 4**.

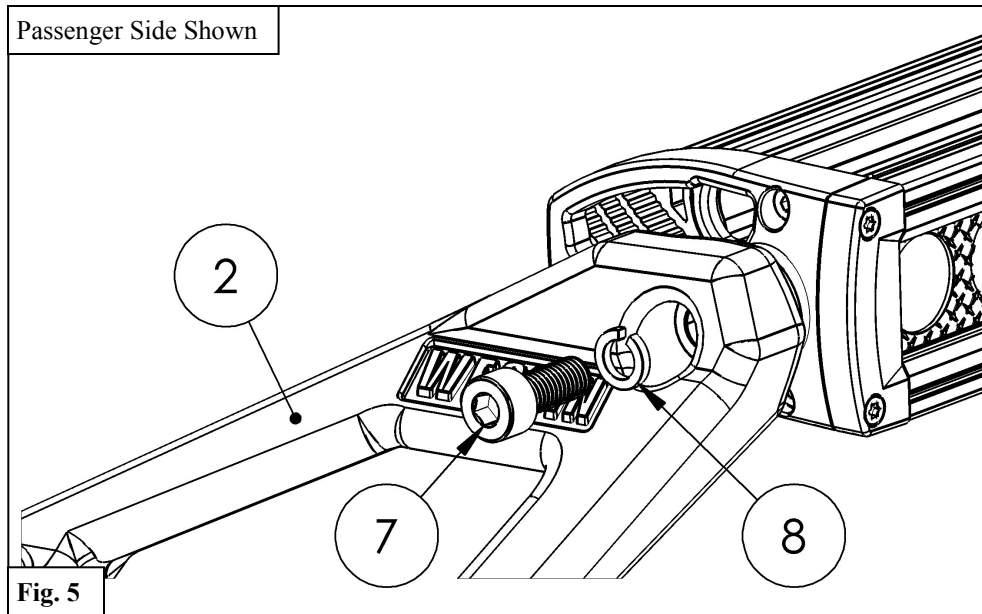
Passenger Side Shown



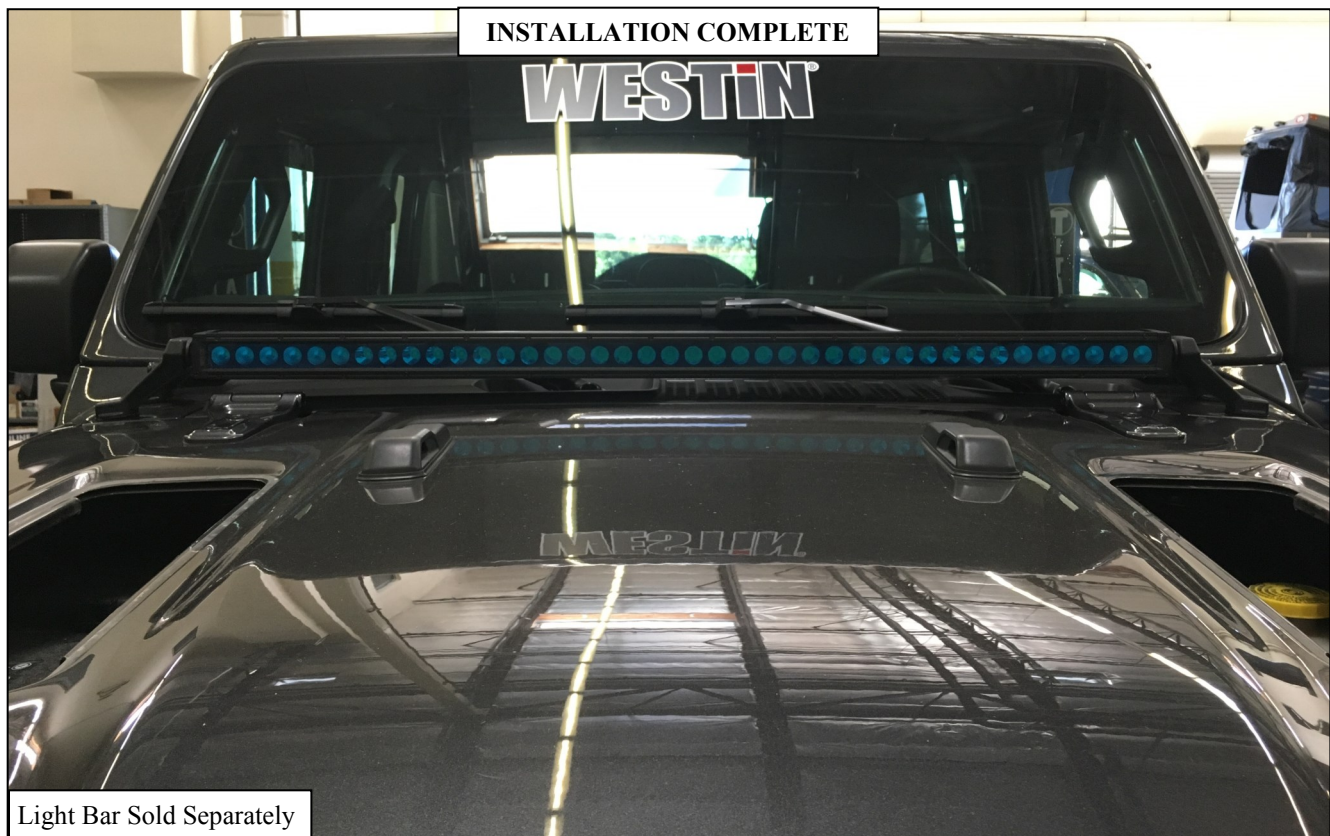
*Note: 2 extra M6 Flat Washers may be used for front cowl bolts.*

**Fig. 4**

8. Install the light bar (sold separately) using the supplied M8 Hardware. See **Figure 5**.



9. Tighten all hardware: M6 to 8.5 ft-lb, M8 to 20 ft-lb.



#### CARE INSTRUCTIONS

- REGULAR WAXING IS RECOMMENDED. DO NOT USE ANY TYPE OF POLISH OR WAX THAT MAY CONTAIN ABRASIVES.
- STAINLESS STEEL PRODUCTS CAN BE CLEANED WITH MILD SOAP AND WATER. STAINLESS STEEL POLISH SHOULD BE USED TO POLISH SMALL SCRATCHES.
- GLOSS BLACK FINISHES SHOULD BE CLEANED WITH MILD SOAP AND WATER.

**WESTIN** Westin Automotive Products, Inc.  
320 W. Covina Blvd  
San Dimas, Ca. 91773

Thank you for choosing Westin products  
for additional installation assistance please call  
Customer Service (800) 793-7846



## WARNING



Failure to follow these instructions could lead to death, personal injury, and / or property damage.

Failure to follow these instructions could lead to death, personal injury, and / or property damage.

### FASTENERS:

All Westin supplied fasteners must be utilized and installed in accordance with the installation instructions and apply torque to the specifications as defined. **DOUBLE CHECK ALL FASTENERS BEFORE INITIAL USE, AND PERIODICALLY IN THE FUTURE TO ENSURE PROPER FUNCTION AND SAFETY.**

### DRILLING:

Most Westin products do not require drilling for installation. If drilling is defined as required, use caution when drilling a vehicle. **FAILURE TO REVIEW AN AREA TO BE DRILLED MAY RESULT IN PERSONAL INJURY AND/OR INJURY TO OTHERS AS WELL AS VEHICLE DAMAGE.**

### EYE PROTECTION:

**ALWAYS WEAR SAFETY GLASSES OR GOGGLES DURING THE INSTALLATION PROCESS TO AVOID PERSONAL INJURY.**

### MAXIMUM TOWING/CARRYING CAPACITY: (if applicable)

The Westin Receiver Hitches will have a visible tow rating label affixed directly on the product. User should never exceed the vehicle manufacturers maximum tow and weight rating regardless of the capacity of the hitch. **FAILURE TO FOLLOW THESE GUIDELINES WILL VOID THE WESTIN WARRANTY AND MAY RESULT IN PERSONAL INJURY AND/OR INJURY TO OTHERS AS WELL AS VEHICLE DAMAGE.**

### FOR CALIFORNIA RESIDENTS ONLY-PROP 65 WARNING:

Some products may contain chemicals such as DEHP, which can cause cancer, birth defects or other reproductive harm. For more info go to [www.p65warnings.ca.gov](http://www.p65warnings.ca.gov)



Westin Automotive Products, Inc.  
320 W. Covina Blvd  
San Dimas, Ca. 91773