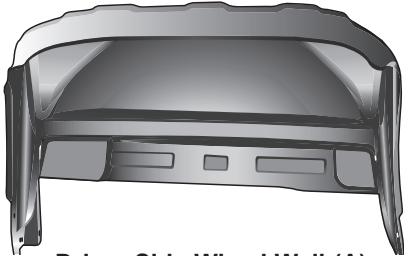




WHEEL WELL LINERS

14-18 GMC SIERRA 1500
15-19 GMC SIERRA 2500/3500

LIST OF CONTENTS:



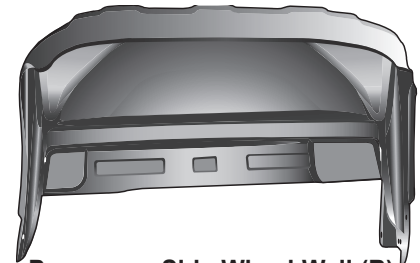
Driver Side Wheel Well (A)

- (A) 1 - Driver Side Wheel Well
(B) 1 - Passenger Side Wheel Well

LIK52 KIT:

- (C) 14 - Big Christmas Tree
Fasteners

- (D) 2 - Small Christmas Tree
Fasteners



Passenger Side Wheel Well (B)

TOOLS REQUIRED:

- T-15 Torx bit / driver in steps 3 & 10.

INSTALLATION INSTRUCTIONS

Installation Video available @ [huskyliners.com/79031](https://www.huskyliners.com/79031)

1

PLEASE READ INSTRUCTIONS CAREFULLY BEFORE STARTING THE INSTALLATION.

One person can perform the installation.

2

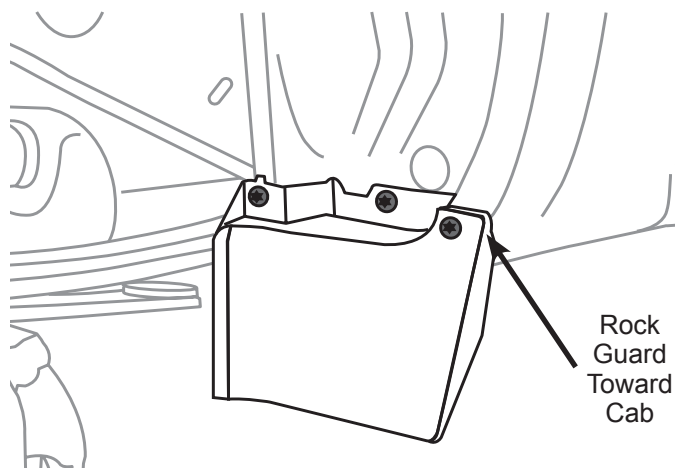
VEHICLE PREPARATION:

If your truck model came **with** a Factory WWG, please remove (T-15) and keep the screws and reuse them (except: step 11 position 1) instead of the supplied christmas trees. It is important that all areas where the wheel wells mount are clean and free of debris.

3

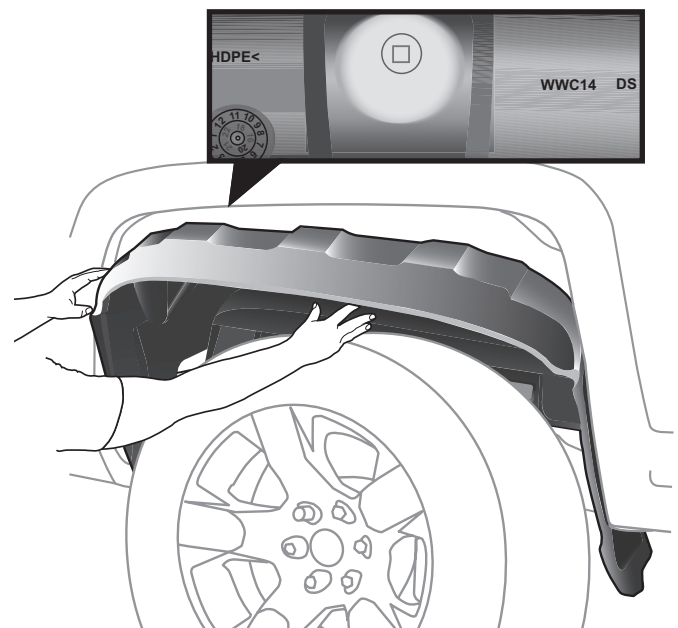
Note: If your truck model came **without** rock guards and fasteners please skip to step 4.

Note: If your truck model came **with** rock guards, remove (3) factory fasteners using a T-15 Torx bit / driver holding the factory rock guard in place. **(Keep all factory fasteners).**



4

Start on the driver side by setting the driver side wheel well (A) marked as (DS) inside the inner panel of the truck's wheel well behind the tire.



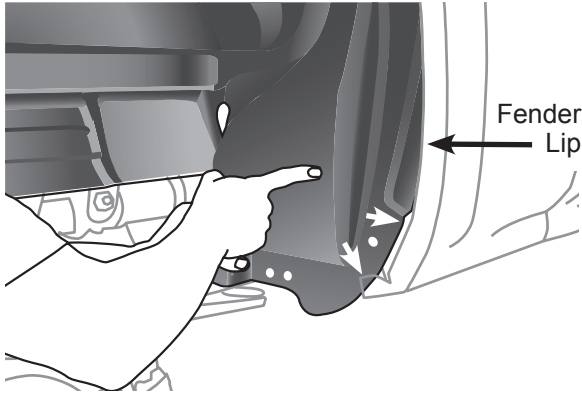


WHEEL WELL LINERS

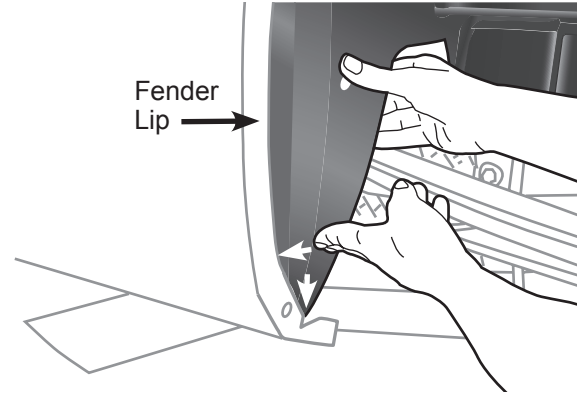
14-18 GMC SIERRA 1500

15-19 GMC SIERRA 2500/3500

- 5** Tuck the lower cab part of the wheel well liner behind the metal lip of truck's fender.

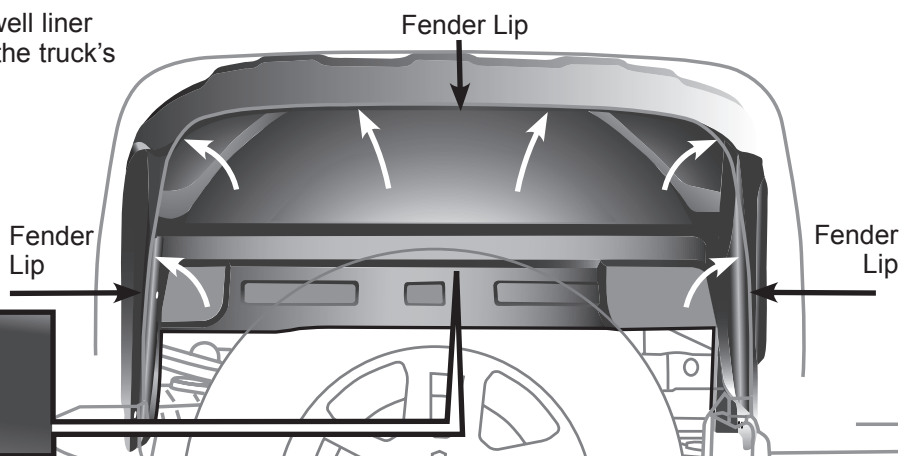


- 6** Tuck the lower tail part of the wheel well liner behind the metal lip of truck's fender.

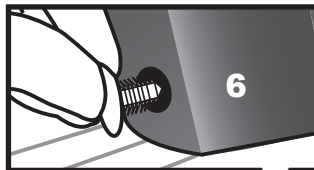


- 7** Tuck the upper part of the wheel well liner behind the rest of the metal lip of the truck's fender.

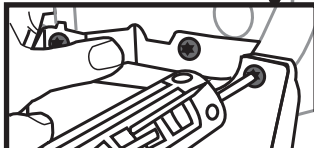
- 8** Locate the (1) pre-drilled hole located below the frame edge and install one small Christmas tree fastener (D) provided.



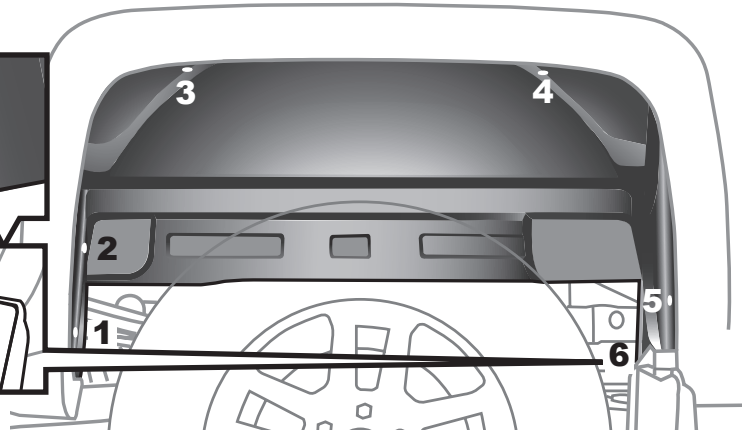
- 9** **Note: For trucks without factory rock guards** Locate pre-drilled hole 6 at the bottom inside corner of the wheel well liner and install one big Christmas tree fastener (C) provided.



- 10** **Note: For trucks with factory rock guards** Re-install the rock guard using the (3) factory fasteners that you saved in step 3.



- 11** Locate the (5) pre-drilled holes in the wheel well liner to install big Christmas tree fastener (C) in each.



- 12** Repeat steps 3-11 on the passenger side when installing the passenger side wheel well (B).

Installation Video available @ huskyliners.com/79031