

INSTALLATION INSTRUCTIONS

HDX RUNNING BOARD

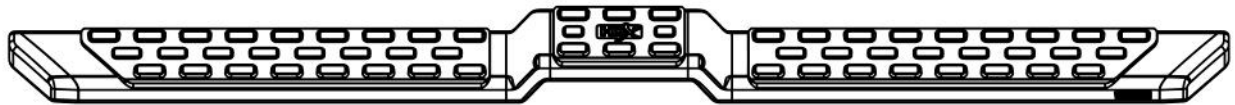


APPLICATION:
 SILVERADO/SIERRA 1500 CREW CAB 2019-2024
 SILVERADO/SIERRA 2500/3500 CREW CAB 2010-2024
PART NUMBER:
 55-34135

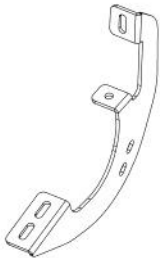
CONTENT

ITEM	QUANTITY	DESCRIPTION	TOOLS NEEDED
1	1	DRIVER STEP BAR ASSEMBLY	13MM SOCKET
2	1	PASSENGER STEP BAR ASSEMBLY	13MM WRENCH
3	6	MOUNTING BRACKETS	15MM SOCKET
4	6	PLATE ADAPTER	15MM WRENCH
5	6	BRACKET COVER	RATCHET
6	12	M6 HEX HEAD CAP SCREW (YELLOW ZINC)	TORQUE WRENCH
7	24	M6 FLAT WASHER (YELLOW ZINC)	
8	12	M6 NYLOCK NUT (YELLOW ZINC)	
9	12	M8 HEX HEAD CAP SCREW (BLACK ZINC) SEMS	
10	12	M8 SPLIT LOCK WASHER (BLACK ZINC) SEMS	
11	12	M8 FLAT WASHER (BLACK ZINC) SEMS	
12	12	M8 HEX NUT (BLACK ZINC)	
13	12	M8 SPLIT LOCK WASHER (BLACK ZINC)	
14	12	M8 FLAT WASHER (BLACK ZINC)	

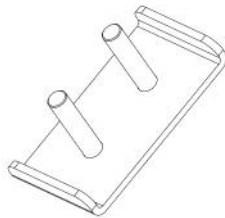
ANTI-SEIZE LUBRICANT MUST BE USED ON ALL STAINLESS STEEL FASTENERS TO PREVENT THREAD DAMAGE AND GALLING



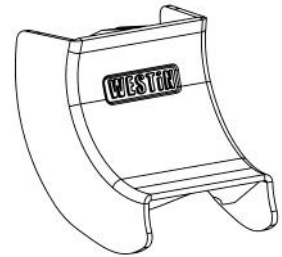
Item 1



Item 3



Item 4

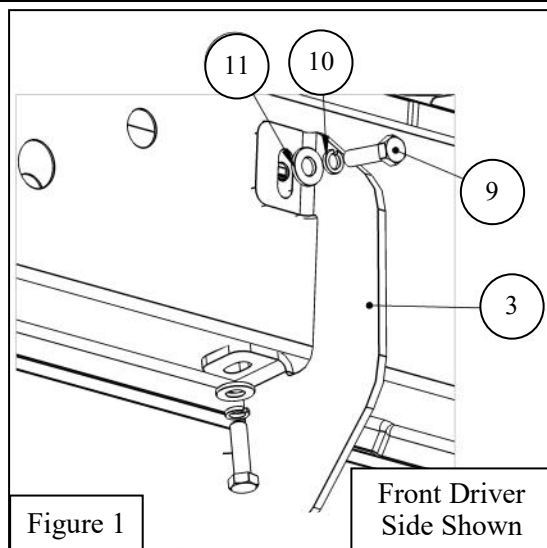


Item 5

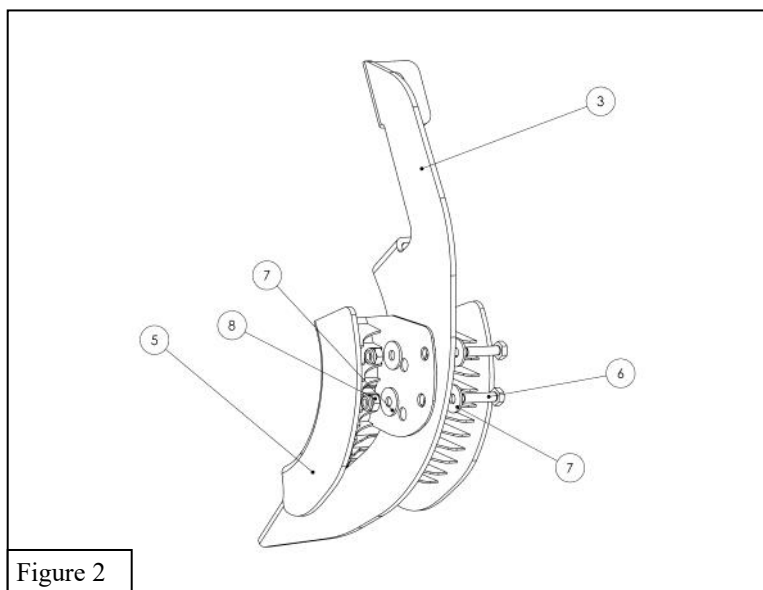
PROCEDURE

1. Remove contents from box, verify that all parts listed are present and free from damage. Carefully read and understand all instructions before attempting installation.
Failure to identify damage before installation could lead to a rejection of any claim.
2. Locate the mounting location on the rocker panel. Remove the rubber plugs covering the threaded holes.
3. Locate the mounting brackets (Item 3) and loosely secure it to the rocker using the provided M8 Hex head hardware (sems) (Items 9-11) See **Figure 1**.

Note: If threaded holes are not on the truck's rocker panel, remove the rubber plugs located on the rocker panel at each mounting location and insert nut clips.)



4. Attach the (6) bracket covers (Item 5) onto all the mounting brackets using the M6 hex head cap crews (Items 6-8) See **Figure 2**.



5. Insert the plate adapters (Items 4) into board assemblies (Item 1 & 2) by first putting them in parallel to the board, then turning them 90 degrees to be perpendicular to the board. (Make sure the plate hooks onto the bottom of the bracket, and the screws are facing outwards. See **Figure 3**.

Note: Put 2 adapter plates in the front side and 1 in the back.

6. Install the running board onto the previously installed brackets using the supplied M8 hardware (Item 12-14). See **Figure 4**

Note: Make sure the plate adapters align with the brackets to attach the board to the mounting brackets.)

7. Align step bar and brackets to desired positioning then torque and tighten all: M8 hardware to 20ft-lbs and M6 hardware to 7.4 ft-lbs.

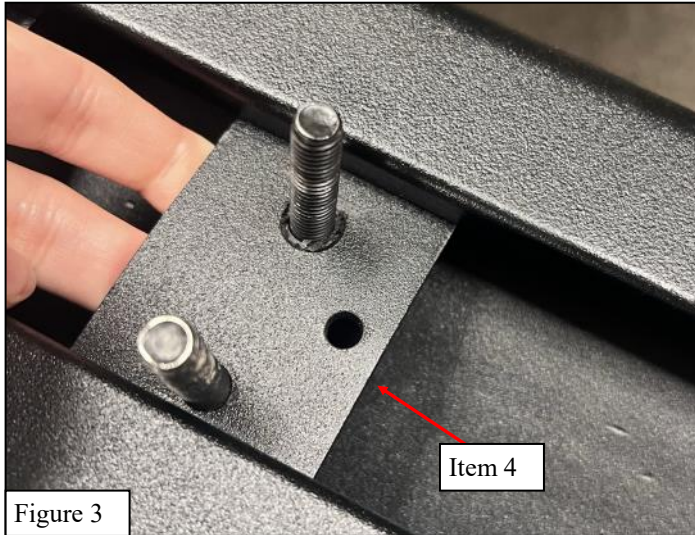


Figure 3

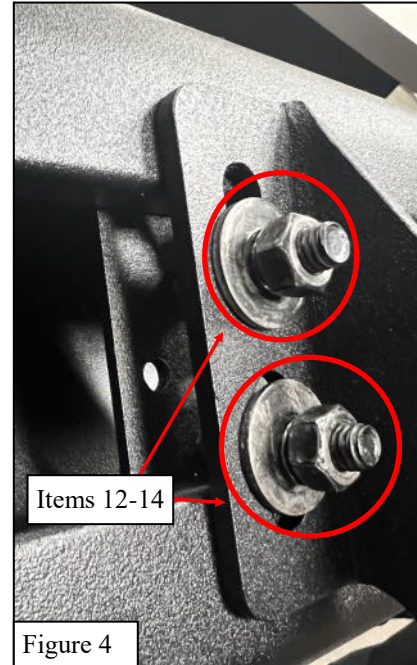


Figure 4

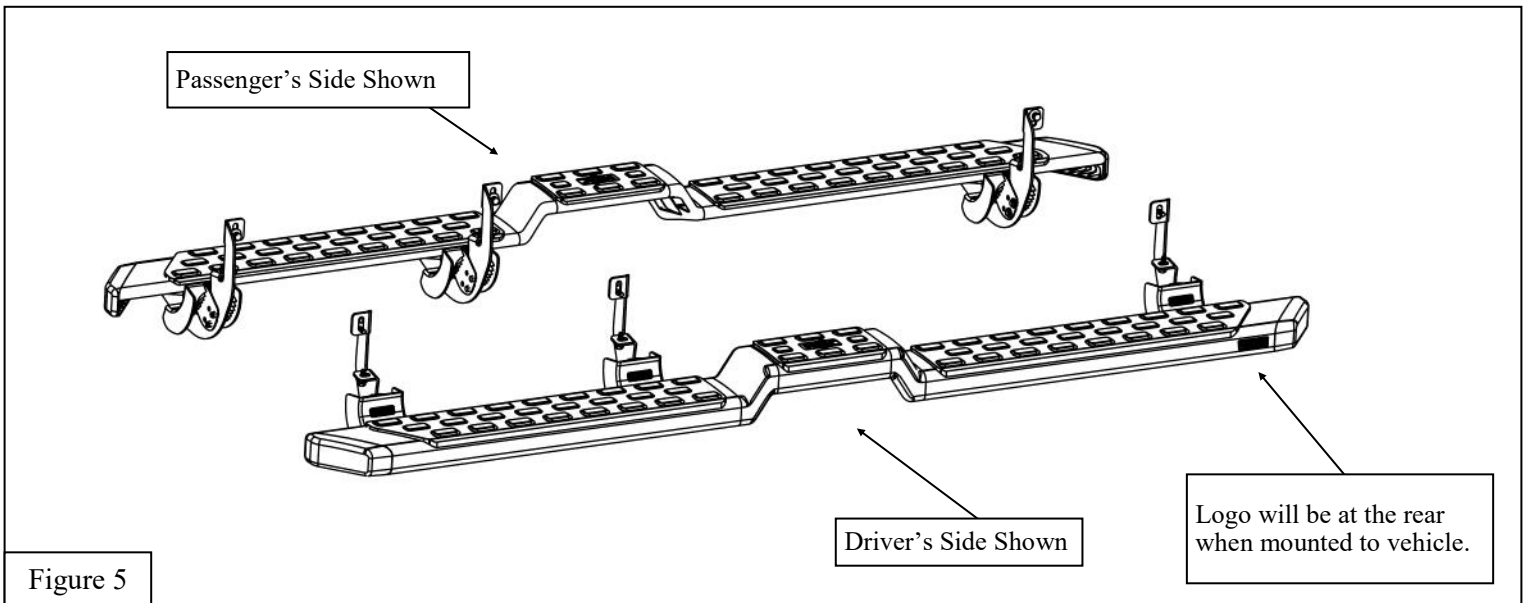


Figure 5

INSTALLATION COMPLETE



CARE INSTRUCTIONS

- REGULAR WAXING IS RECOMMENDED. DO NOT USE ANY TYPE OF POLISH OR WAX THAT MAY CONTAIN ABRASIVES.
- STAINLESS STEEL PRODUCTS CAN BE CLEANED WITH MILD SOAP AND WATER. STAINLESS STEEL POLISH SHOULD BE USED TO POLISH SMALL SCRATCHES.
- GLOSS BLACK FINISHES SHOULD BE CLEANED WITH MILD SOAP AND WATER.

WESTIN Westin Automotive Products, Inc.
320 W. Covina Blvd
San Dimas, Ca. 91773

Thank you for choosing Westin products
for additional installation assistance please call
Customer Service (800) 793-7846
www.westinautomotive.com
DATE: 07/29/2024



WARNING



Failure to follow these instructions could lead to death, personal injury, and / or property damage.

Failure to follow these instructions could lead to death, personal injury, and / or property damage.

FASTENERS:

All Westin supplied fasteners must be utilized and installed in accordance with the installation instructions and apply torque to the specifications as defined. **DOUBLE CHECK ALL FASTENERS BEFORE INITIAL USE, AND PERIODICALLY IN THE FUTURE TO ENSURE PROPER FUNCTION AND SAFETY.**

DRILLING:

Most Westin products do not require drilling for installation. If drilling is defined as required, use caution when drilling a vehicle. **FAILURE TO REVIEW AN AREA TO BE DRILLED MAY RESULT IN PERSONAL INJURY AND/OR INJURY TO OTHERS AS WELL AS VEHICLE DAMAGE.**

EYE PROTECTION:

ALWAYS WEAR SAFETY GLASSES OR GOGGLES DURING THE INSTALLATION PROCESS TO AVOID PERSONAL INJURY.

MAXIMUM TOWING/CARRYING CAPACITY: (if applicable)

The Westin Receiver Hitches will have a visible tow rating label affixed directly on the product. User should never exceed the vehicle manufacturers maximum tow and weight rating regardless of the capacity of the hitch. **FAILURE TO FOLLOW THESE GUIDELINES WILL VOID THE WESTIN WARRANTY AND MAY RESULT IN PERSONAL INJURY AND/OR INJURY TO OTHERS AS WELL AS VEHICLE DAMAGE.**

FOR CALIFORNIA RESIDENTS ONLY-PROP 65 WARNING:

Some products may contain chemicals such as DEHP, which can cause cancer, birth defects or other reproductive harm. For more info go to www.p65warnings.ca.gov



Westin Automotive Products, Inc.
320 W. Covina Blvd
San Dimas, Ca. 91773