

UNIVERSAL LED License Plate Light

All vehicles with standard license plate mount

BP5185
05/16/14

Hardware Kit Includes:

(1) 2 – 20 AWG Wire Crimp Connectors

Components List:

1 – BP5185

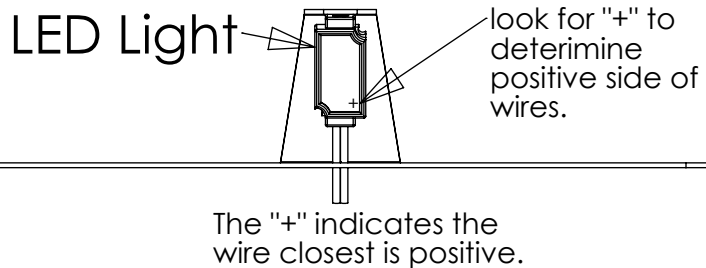


FIG. A

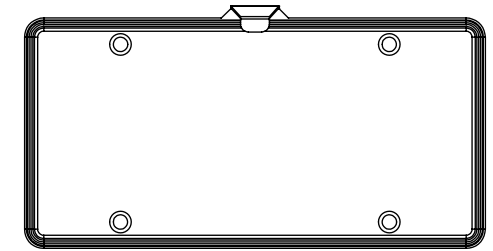
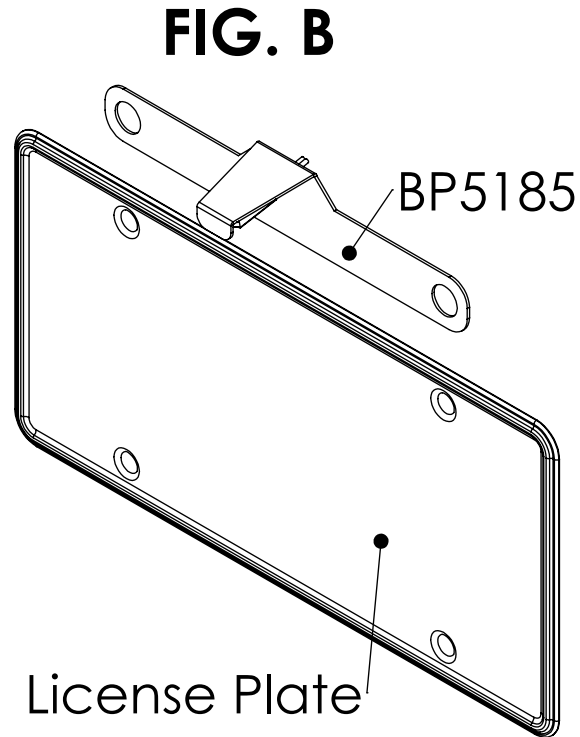


FIG. C

- STEP 1.** Remove ground wire from battery before making any electrical connections.
- STEP 2.** Remove two factory screws holding the top of the license plate to the bumper.
- STEP 3.** Locate factory license plate light and cut wires. Determine which wire is positive and which wire is negative either using a vehicle wiring diagram or a voltmeter.
- STEP 4.** Look closely at the LED light in BP5185 to determine which wire is positive and which wire is negative. SEE FIG. A. Once positive and negative have been determined on both BP5185 and the vehicle wiring, route wires and connect the two corresponding leads together. Leads may need to be extended using additional wire and connectors. **IF LEADS ARE NOT CONNECTED PROPERLY, LIGHT WILL NOT TURN ON.**
- STEP 5.** Once wiring is routed and connected slide BP5185 behind license plate and reinstall factory screws through the top license plate holes and through BP5185 SEE FIG. B. Tighten screws so plate is secure and be careful how the wiring is routed. It is ok for wiring to be pinched between the license plate and bumper as long as the screws are not over tightened causing the wire to be cut SEE FIG. C.
- STEP 6.** Reconnect negative battery terminal and test light.



ATTN: STATE OF CALIFORNIA CONSUMERS
WARNING: CANCER AND REPRODUCTIVE HARM
-WWW.P65WARNINGS.CA.GOV