

INSTALLATION INSTRUCTIONS #INST041: REALTRUCK BACKRACK KIT #30118, 30118TB, 3011TB31 2008-2016 Toyota Tundra

READ THIS NOW!

Your truck should look like the one shown. If you think you are missing any parts, think that this part number is not for your truck or have any installation question, call our customer service department at toll free:

888-588-6101 or locally 800-265-8137.

Other ways to reach RealTruck Backrack:

email: info@backrack.ca

Support@backrack.com



The RealTruck Backrack is secured to your truck with a pair of "Stake Pocket Bolts" specifically designed for your make and model of truck. These bolts mount into each of the two front stake pockets. The RealTruck Backrack assembly sits on the bed rails of your truck and is secured to these Stake Pocket Bolts. If your truck has a BEDLINER we suggest you remove it to install the Stake Pocket Bolts

PARTS LIST FOR KIT #30118

PART	DESCRIPTION	QTY
RP518D	Rail Plate Driver	1
RP518P	Rail Plate Passenger	1
RMB503D	Rail Mount Bracket Driver	1
RMB503P	Rail Mount Bracket Passenger	1
HARDWARE BAG519		
INST041	Installation Instructions	1
SBY518S	Stake Pocket Bolt	2
FYZ008	1/2"-20 Nylon Hex Lock Nut	2
FYZ009	1/2"-13 Hex Nut	2
FYZ010	1/2" Lock Washer	2
FYZ011	1/2" Flat Washer	4
FYZ014	1/2"-20 x 3.25 Carrige Bolt Grade 8	2
FYZ016	5/8"-11 Hex Nut	2
FYZ017	5/8" Lock Washer	2
FYZ018	5/8" Flat Washer	2

PARTS LIST FOR KIT #30118TB, 30118TB31

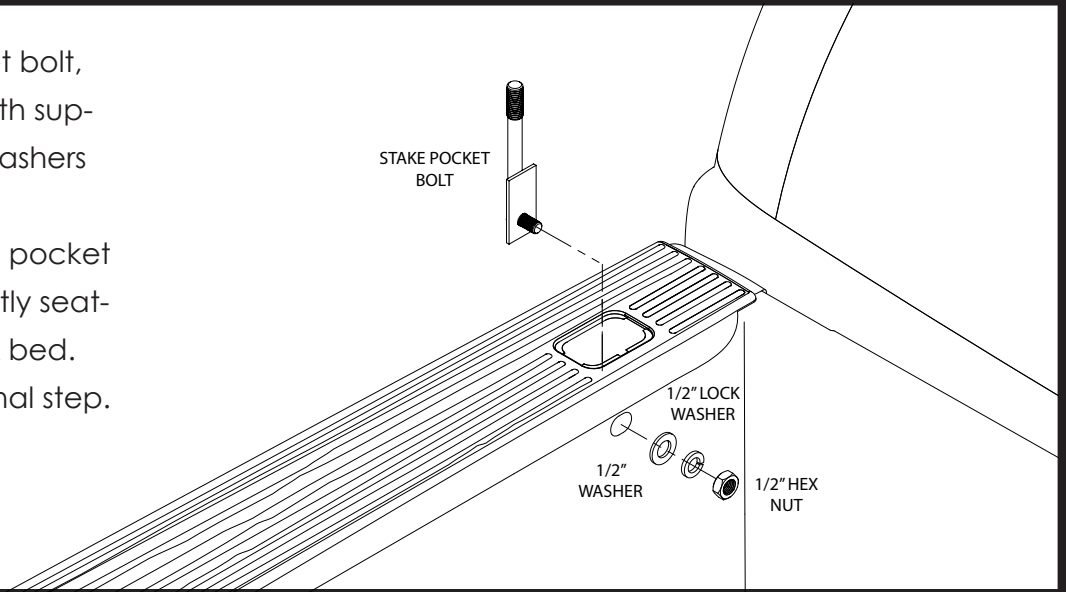
PART	DESCRIPTION	QTY
TB503D	Toolbox Bracket Driver	1
TB503P	Toolbox Bracket Passenger	1
OR		
TB901D	31" Toolbox Bracket Driver	1
TB901P	31" Toolbox Bracket Passenger	1
HARDWARE BAG519		
INST041	Installation Instructions	1
SBY518S	Stake Pocket Bolt	2
FYZ008	1/2"-20 Nylon Hex Lock Nut	2
FYZ009	1/2"-13 Hex Nut	2
FYZ010	1/2" Lock Washer	2
FYZ011	1/2" Flat Washer	4
FYZ014	1/2"-20 x 3.25 Carrige Bolt Grade 8	2
FYZ016	5/8"-11 Hex Nut	2
FYZ017	5/8" Lock Washer	2
FYZ018	5/8" Flat Washer	2

FOR MORE INFORMATION SCAN HERE!



1

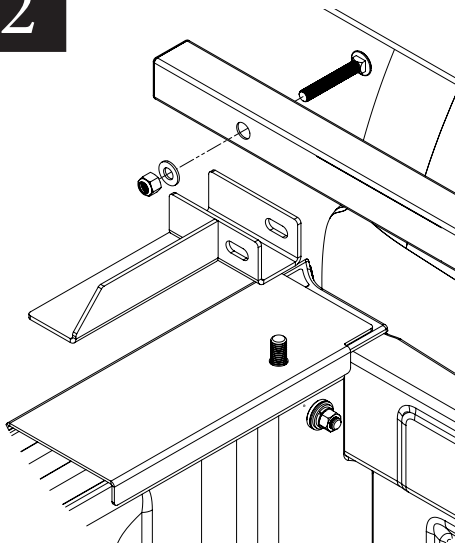
Insert stake pocket bolt, fasten as shown with supplied bolt plate, washers and nuts. Make sure the stake pocket bolt tabs are correctly seated in slot on truck bed. Hand tighten until final step.



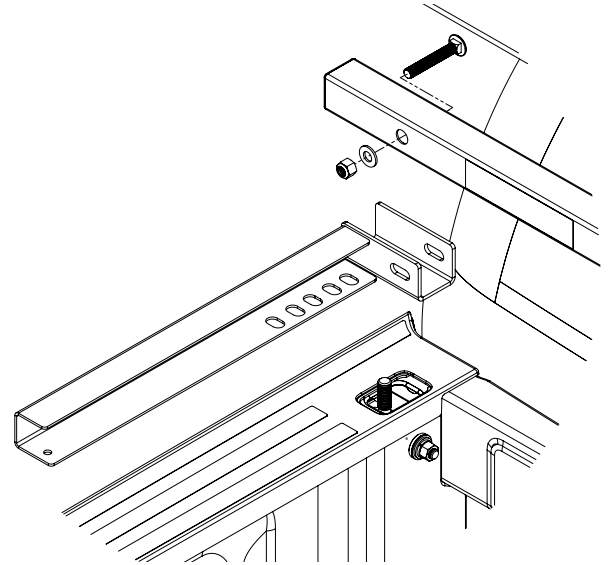
2

Fasten the RealTruck Backrack to the Rail mount bracket, or Toolbox bracket. Finger tighten at this stage.

****IMPORTANT****
Install the carriage bolt as shown in the diagram with the round head closest to the cab. Failure to do so could result in damage to the cab or rear window.



KIT #30118

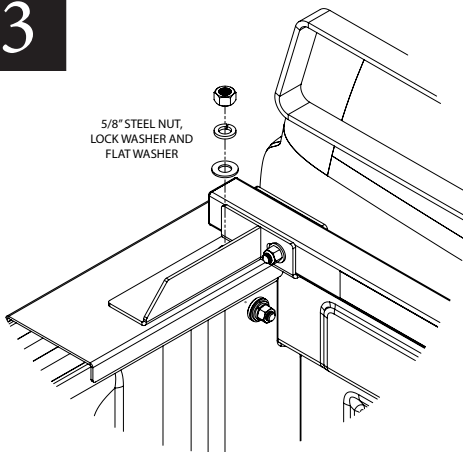


KIT #30118TB,
30118TB31

3

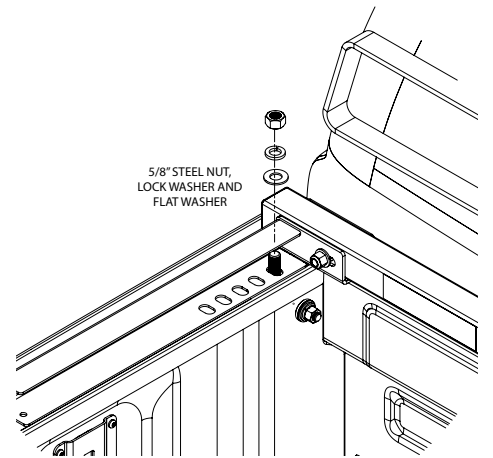
Fasten the RealTruck Backrack Assembly to the Stake pocket bolt as shown.

Center the RealTruck Backrack assembly on the truck and final torque all bolts starting with the nuts on the inside of the truck bed, then the rail mount or toolbox bracket and finally the main RealTruck Backrack carriage bolt



5/8" STEEL NUT,
LOCK WASHER AND
FLAT WASHER

KIT #30118



5/8" STEEL NUT,
LOCK WASHER AND
FLAT WASHER

KIT #30118TB,
30118TB31