



INSTALLATION INSTRUCTIONS #INST231:

REALTRUCK BACKRACK KIT #30124LP,
2019-2020 Chevrolet-Silverado-1500/ Heavy Duty

READ THIS NOW!

Your truck should look like the one shown. If you think you are missing any parts, think that this part number is not for your truck or have any installation question, call our customer service department at toll free:

888-588-6101 or locally 800-265-8137.

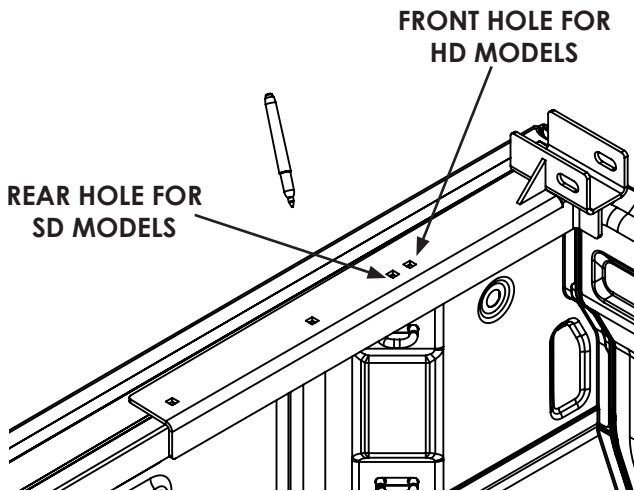
Other ways to reach RealTruck Backrack:

email: info@backrack.ca

Support@backrack.com

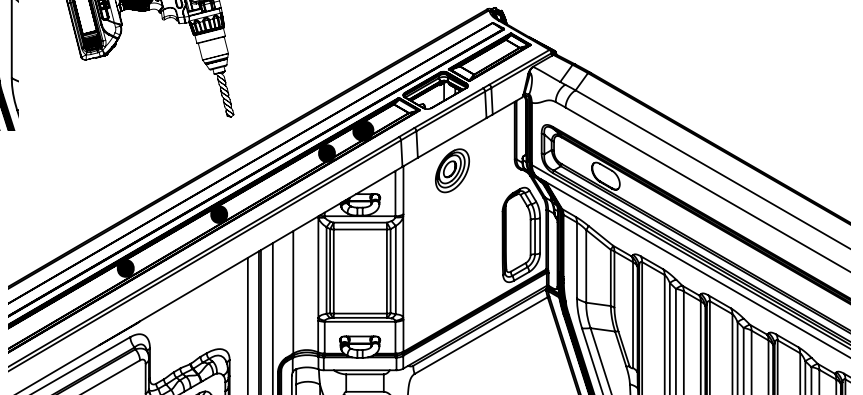
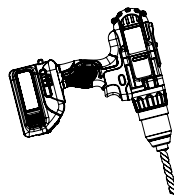


The RealTruck Backrack LP Kit is secured to your truck with carriage bolts that require drilling of the truck rails. The RealTruck Backrack assembly sits on the bed rails of your truck and is secured with these bolts. If your truck has a BEDLINER we suggest you remove it to drill and install the bolts



Place Low Profile Bracket into position on the truck as shown. Ensure that the bracket is firmly against the side and front of the bed as shown. Mark the mount holes on the bed of your truck

Note the model of your truck and mark the corresponding hole only 3 holes per side are required
Drill the holes by first drilling a pilot hole (1/8") and then drilling to 7/16"



****USE EXTREME CAUTION WHEN DRILLING****

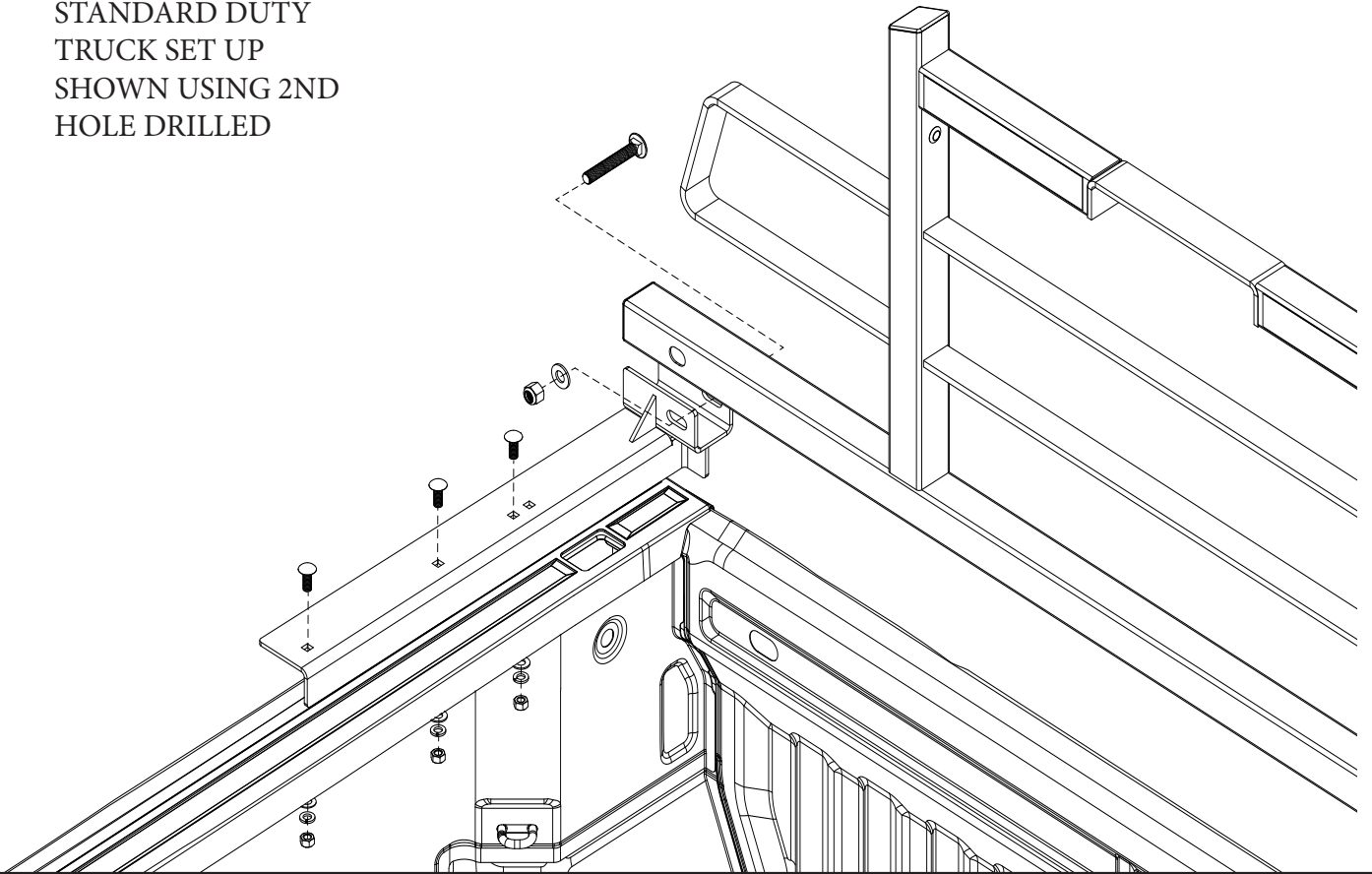
Improper drilling can cause damage to your truck bed and/or cab.

FOR MORE INFORMATION SCAN HERE!



1a

STANDARD DUTY
TRUCK SET UP
SHOWN USING 2ND
HOLE DRILLED



1b

HEAVY DUTY TRUCK
SET UP SHOWN USING
1ST HOLE DRILLED

